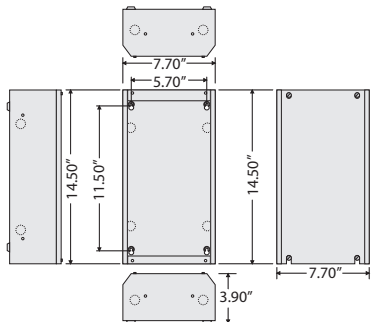


ENCLOSURE

MH1000 Series

Metal Housing, NEMA 1, 14.50" H x 7.70" W x 3.90" D



| MH1000 SERIES ASSEMBLIES | | | |
|--------------------------|-----------|--------------------|-----------|
| Model # | Enclosure | Plastic Snap Track | Weight |
| MH1000 | MH1000 | | 6.00 lbs. |
| MH1010 | MH1000 | MT4-12 | 6.30 lbs. |
| MH1020 | MH1000 | MT212-12 | 6.25 lbs. |



SPECIFICATIONS

Construction: 18 Gauge Steel
Cover Type: Screw Down Cover
Approvals: UL Listed, C-UL, CE Approved, RoHS

Notes:
 • Consult factory for custom colors for large orders.