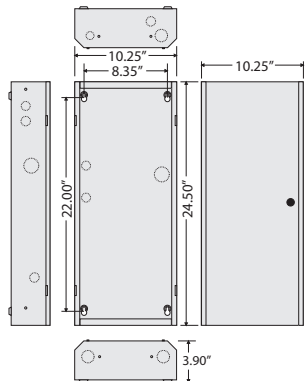


**ENCLOSURE**

**MH3500 Series**

Metal Housing, NEMA 1, 24.50" H x 10.25" W x 3.90" D



MH3500 SERIES ASSEMBLIES			
Model #	Enclosure	Plastic Snap Track	Weight
MH3500	MH3500		11.1 lbs.
MH3510	MH3500	MT4-24	11.7 lbs.
MH3520	MH3500	MT212-24	11.5 lbs.



**SPECIFICATIONS**

**Construction:** 18 Gauge Steel

**Cover Type:** Reversible Hook Hinge Key Latch Door

**Approvals:** UL Listed, C-UL, CE Approved, RoHS

**Notes:**

- Consult factory for custom colors for large orders.
- Order with coin latch by adding "-L4" to end of model number.