

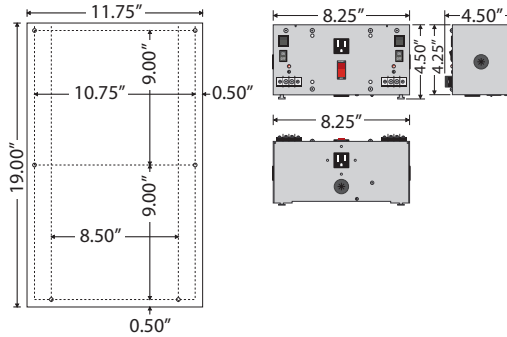
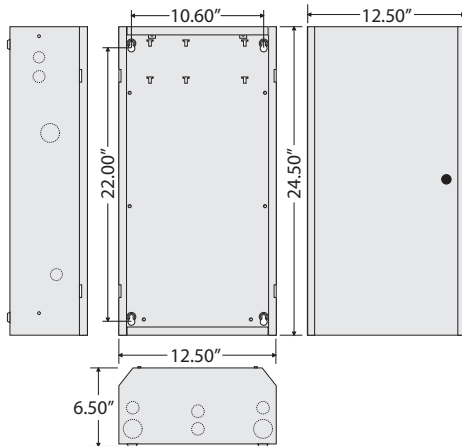
**AC POWER SUPPLY**

**MHP3903100A100AB10**

Enclosed Dual 100 VA Power Supplies with Subpanel:  
Models MH3900 + SP3803S + PS100A100AB10

**MHP3904100A100AB10**

Enclosed Dual 100 VA Power Supplies with Subpanel:  
Models MH3900 + SP3804S + PS100A100AB10



POWER SUPPLIES

**POWER SUPPLY (PS100A100AB10)**

**Transformer:** Two 100 VA Split-Bobbin  
**Over Current Protection:** Circuit Breaker  
**Frequency:** 50/60 Hz  
**24 Vac ON/OFF:** On / Off Switch & Breaker  
**Main Breaker ON/OFF:** Switch / Breaker (10 Amp)  
 (Kills power to entire unit: Outlets, Aux. Output, & Transformer)\*  
**Approvals:** Class 2 (UL Approved UL5085-3), UL916, C-UL, CE, RoHS  
**Dimensions:** 4.500" x 8.625" x 4.500"  
**Weight:** 7.000 lbs.

**Input Wires:** Input Power Wires  
 BLK: 120 Vac  
 WHT: Neutral  
 GRN: Ground

**Outlet Wires**  
 BLK: 120 Vac  
 WHT: Neutral  
 GRN: Ground

**Output Wires:** Auxiliary Output  
 BLU: 120 Vac

**Notes:**

- Output derating may exceed 20% due to elevated ambient temperature or heat buildup in device over time.
- Design is in accordance with ASCE 7-05 Chapter 13

**SELECTION GUIDE**

Model #	Sub-Panel
MHP3903100A100AB10	Polymetal
MHP3904100A100AB10	Perforated Steel

**POLYMETAL SUB-PANEL (SP3803S)**

**Mounting Area:** 223.25" square  
**Approvals:** Plenum Rated  
**Dimensions:** 19.00" x 11.75"  
**Weight:** 1.705 lbs.

**PERFORATED STEEL SUB-PANEL (SP3804S)**

**Mounting Area:** 223.25" square  
**Approvals:** Plenum Rated  
**Dimensions:** 19.00" x 11.75"  
**Weight:** 2.94 lbs.

**METAL HOUSING (MH3900)**

**Construction:** 14 Gauge Steel  
**Cover Type:** Reversible Hook Hinge Key Latch Door  
**Approvals:** UL Listed, C-UL, CE Approved, RoHS  
**Dimensions:** 12.50" (W) x 24.50" (H) x 6.50" (D)  
**Weight:** 24.30 lbs.