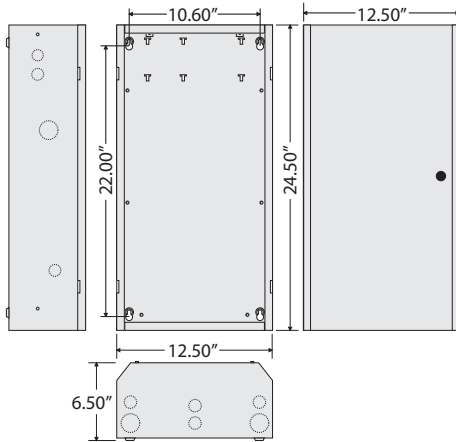


AC POWER SUPPLY

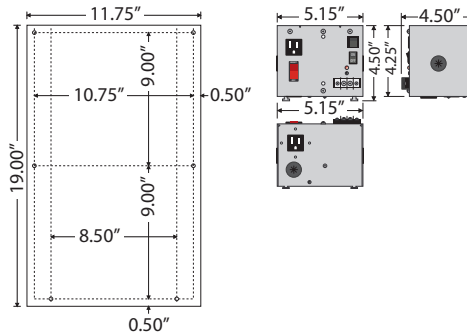
MHP3903100AB10

Enclosed Single 100 VA Power Supply with Subpanel:
Models MH3900 + SP3803S + PS100AB10



MHP3904100AB10

Enclosed Single 100 VA Power Supply with Subpanel:
Models MH3900 + SP3804S + PS100AB10



POWER SUPPLIES

POWER SUPPLY (PS100AB10)

- Transformer:** One 100 VA Split-Bobbin
- Over Current Protection:** Circuit Breaker
- Frequency:** 50/60 Hz
- 24 Vac ON/OFF:** On / Off Switch & Breaker
- Main Breaker ON/OFF:** Switch / Breaker (10 Amp)
(Kills power to entire unit: Outlets, Aux. Output, & Transformer)*
- Approvals:** Class 2 (UL Approved UL5085-3), UL916, C-UL, CE, RoHS
- Dimensions:** 4.500" x 8.625" x 4.500"
- Weight:** 4.600 lbs.

- Input Wires:** Input Power Wires
BLK: 120 Vac
WHT: Neutral
GRN: Ground

- Outlet Wires**
BLK: 120 Vac
WHT: Neutral
GRN: Ground

- Output Wires:** Auxiliary Output
BLU: 120 Vac

Notes:

- Output derating may exceed 20% due to elevated ambient temperature or heat buildup in device over time.
- Design is in accordance with ASCE 7-05 Chapter 13

SELECTION GUIDE

Model #	Sub-Panel
MHP3903100AB10	Polymetal
MHP3904100AB10	Perforated Steel

POLYMETAL SUB-PANEL (SP3803S)

- Mounting Area:** 223.25" square
- Approvals:** Plenum Rated
- Dimensions:** 19.00" x 11.75"
- Weight:** 1.705 lbs.

PERFORATED STEEL SUB-PANEL (SP3804S)

- Mounting Area:** 223.25" square
- Approvals:** Plenum Rated
- Dimensions:** 19.00" x 11.75"
- Weight:** 2.94 lbs.

METAL HOUSING (MH3900)

- Construction:** 14 Gauge Steel
- Cover Type:** Reversible Hook Hinge Key Latch Door
- Approvals:** UL Listed, C-UL, CE Approved, RoHS
- Dimensions:** 12.50" (W) x 24.50" (H) x 6.50" (D)
- Weight:** 24.30 lbs.