

ML6984, ML7984 Series 4000 Direct Coupled Valve Actuators

PRODUCT DATA



FEATURES

- Self-contained, motorized globe valve linkage.
- Microprocessor-based digital position sensing and motor control for accurate positioning.
- Compact size for easy installation in confined spaces.
- NEMA 3R rain-proof cover for outdoor installation.
- Self-calibrating for valve stroke from 1/2 in. (13 mm) to 1 in. (25 mm).
- DIP switch input configuration selection.
- LED (light-emitting diode) status indication.
- Configurable to 3-wire mode for floating models.
- 710 N 160 lbf (712 N) valve closing force.
- Usable with common transformer power supply for multiple actuators and controllers.
- 24 Vac or 28 Vdc power supply.
- Field-addable position feedback/auxiliary switch module available for 5-wire models.

APPLICATION

The ML6984 and ML7984 are self-contained, self-adjusting, motorized valve actuators that mount directly onto V5011 two-way and V5013 three-way globe valves, providing linear stem operation between 1/2 in. (13 mm) and 1 in. (25 mm).

ML6984 is for use with low voltage SPDT Series 20, Series 60 (on-off), or SP3T Series 60 (floating) electro-mechanical and electronic controllers.

ML7984 is for use with Series 70 0-10 Vdc, 2-10 Vdc, 4-20 mA; electronic Series 90 "SuperMod"; and 135 ohm modulating controllers.

Contents

Specifications	2
Ordering Information	2
Installation	3
Wiring Schematics	5
Operation	9
Replacement Notes	10
Checkout.....	12
Troubleshooting.....	12



SPECIFICATIONS

IMPORTANT

The specifications given in this publication do not include normal manufacturing tolerances. Therefore, an individual unit may not exactly match the listed specifications. Also, this product is tested and calibrated under closely controlled conditions and some minor differences in performance can be expected if those conditions are changed.

Operating Environment:

Operating Ambient Temperature: 32° to 130° F (0° to 54° C) measured at the actuator.

Shipping Temperature: -40° to 150° F (-40° to +65° C).

Relative Humidity: 15% to 95% up to 104° F (40° C), non-condensing atmosphere NEMA-3R/IP54 cover for outdoor installation.

Acoustic Noise: 55 dBA maximum Sound Pressure Level at 39 in. (991.0 mm) distance.

Electrical Ratings: Power supply/consumption: 24 V (+10%, -15%), 50/60 Hz or 28 Vdc +/- 10%, 6 VA (Running), 12 VA (Valve seating).

Specifications/CE Declaration: ML6984 and ML7984 actuators conform to the essential requirements of the **Low Voltage Directive 73/23/EEC** based on the standards **EN 60730-1:2000** and **EN 60730-2-14:1995+A1:2001**

Inputs:

ML6984

- 25 mA 24 Vac (5-wire mode only)
- 500 mA (valve seating 3-wire mode)
- Minimum Signal Input Duration: 100 ms

ML7984*

- 2 -10 Vdc (1 mA); 4-20 mAdc

*May be used with 0-10 Vdc input but valve will be closed at 2 Vdc.

Input Impedance for the ML7984:

Voltage Source - 20 KW ohm

Current Source - 237 ohm

Shipping Weight: Approx. 2.2 lb (1 kg).

Accessories/Parts:

272629A - Mounting adapter for V5045 valves.

272630D - Electronic position feedback low voltage auxiliary switch.

272822 - Resistor kit for multiple actuator Series 90 application and for ML7984 to replace the old ML784 (4-20 mA).

40003793-005 - Mounting hardware bag assembly.

Mechanical Ratings:

Stroke - Between 1/2 in. (13 mm) and 1 in. (25 mm), self-adjusting.

Bonnet - 1 3/8 in. (35 mm) for V5011/13 valves up to 3 in. (76 mm)(DN80).

Stem Coupling - 1/4-28 UNF thread.

Stroke Timing - Nominal 63 seconds for 3/4 in. (19 mm) stroke.

- Proportional to stroke length at 24 Vac.

Closing Force - 710 N (160 lbf) minimum at 24 Vac.

- Force varies 22 N/V (5 lbf/volt).

Performance Specifications:

Life Expectancy - (at rated load and power conditions) 50,000 full stroke cycles plus 1,000,000 repositions of 10% stem travel or 10 years, whichever occurs first.

Hysteresis - 5%

Table 1. Close-off pressure ratings of ML6984/7984 Series 4000 with Honeywell valves, psid

Type	Valve Family	1/2 in.	3/4 in.	1 in.	1-1/4 in.	1-1/2 in.	2 in.	2-1/2 in.	3 in.
Flare	V5011A	150	150	150	150	91	58	77	53
	V3350/51/60/61; V3450/51/60/61	—	—	—	—	—	—	63	45
NPT	V5011F, G	150	150	150	150	91	58	33	19
	V5011H, J	150	150	150	150	—	—	—	—
	V5011N, V5013N	230	230	193	123	79	44	—	—
	V5011N2xxx, V5011G Steam	100	100	100	100	79	44	—	—
	V5013F	150	150	150	149	91	58	—	—

*Do not exceed 100 psid with valves used in steam applications.

ORDERING INFORMATION

When purchasing replacement and modernization products from your TRADELINE® wholesaler or distributor, refer to the TRADELINE® Catalog or price sheets for complete ordering number. If you have additional questions, need further information, or would like to comment on our products or services, please write or phone:

1. Your local Honeywell Environmental and Combustion Controls Sales Office (check white pages of your phone directory).
2. Honeywell Customer Care
1885 Douglas Drive North
Minneapolis, Minnesota 55422-4386
3. <http://customer.honeywell.com> or <http://customer.honeywell.ca>

International Sales and Service Offices in all principal cities of the world. Manufacturing in Belgium, Canada, China, Czech Republic, Germany, Hungary, Italy, Mexico, Netherlands, United Kingdom, and United States.

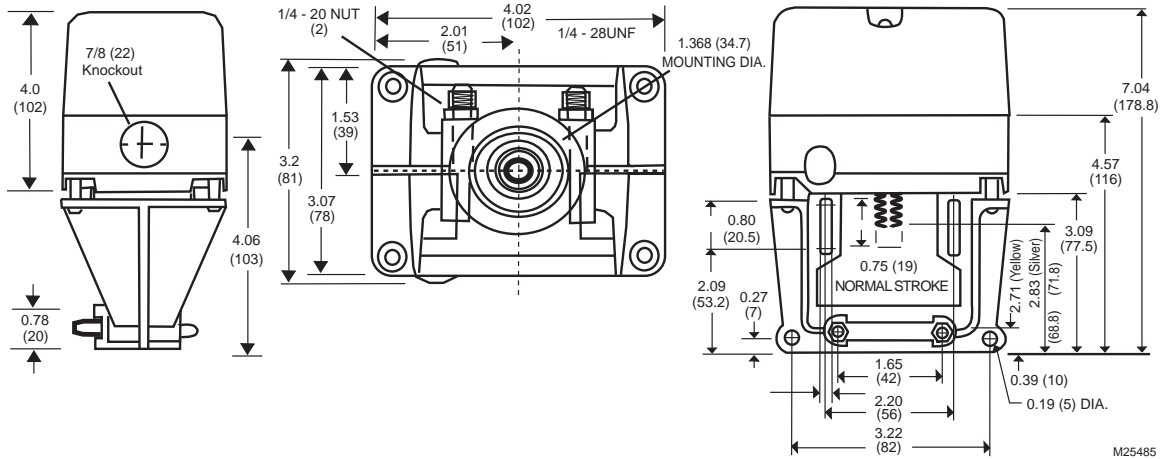


Fig. 1. ML6984 Valve Actuator Dimensions, in. (mm).

INSTALLATION

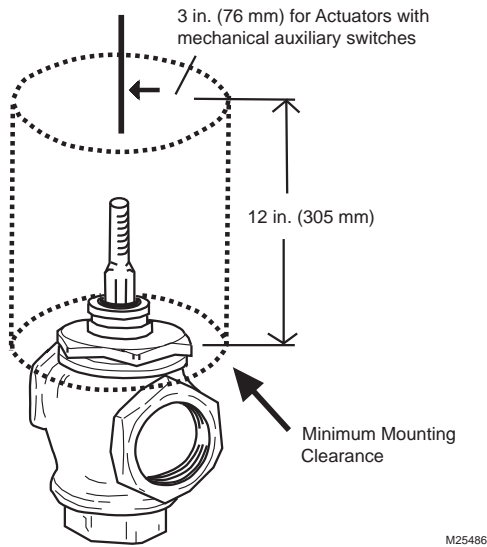


Fig. 2. Minimum Mounting Clearance.



CAUTION

Short and rapid cycling/repositioning may result in possible switch device lock-up or reduced service life.

When Installing This Product...

1. Read these instructions carefully. Failure to follow them could damage the product or cause a hazardous condition.
2. Check ratings given in instructions and on the product to ensure the product is suitable for your application.
3. The installer must be a trained, experienced service technician.
4. After installation is complete, check out product operation as provided in these instructions.

5. DO NOT electrically operate the actuator before assembly to the valve because damage not apparent to the installer may occur.

IMPORTANT

Before installing the valve, raise and lower the valve stem to make sure that the valve stem operates freely. Impaired stem operation can indicate that the stem was bent by rough handling. This condition can require repair or replacement of the valve.

Protect the stem from damage due to bending or scratching. Damage to the stem packing may result.

Proper Use

Valves are to be installed by skilled personnel and in strict accordance with installation instructions and local regulations. Honeywell assumes no responsibility for damages or injuries resulting from non-compliance with installation instructions or standard good practice when mounting, operating, or maintaining the valves, even if not explicitly mentioned in the installation instructions. Observe all safety practices when working with steam systems.

Mounting

1. Ensure that valve body is installed correctly, arrow pointing in the direction of flow.
2. Actuator can be mounted in any position; however, it is preferable that it is mounted above the horizontal plane of the pipe. This minimizes the risk of damage to the actuator in the event of condensation or valve gland leak. When controlling steam, rotate the valve body with the actuator beside the valve to avoid exceeding ambient temperature limits of the actuator. For the same reason, do not mount ML Actuators to steam valves in enclosed cabinets. For on-off control of steam in small pipe sizes, Honeywell recommends V8043J zone valves.

NOTE: NEMA 3R rainproof rating only applies to actuators mounted vertically. Cover has been treated with UV stabilizers for outdoor applications. Weather-proof conduit fittings approved for outdoor and wet locations must be used to maintain NEMA 3R rating.

3. Remove stem button (Fig. 3) from valve stem.
4. (Optional) Snap red position indicator (metal clip) over valve stem and position for best visibility (Fig. 3). Indicator will self-align to the marking on yoke after complete operating cycle. It is recommended that this is done after actuator installation.

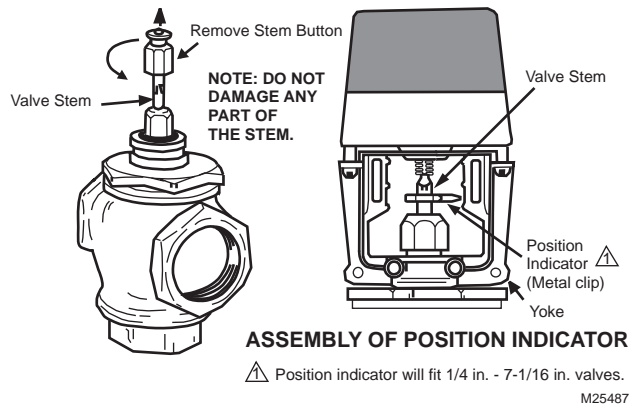


Fig. 3. Preparation for Valve Assembly.

Assembly of MLx984 Actuator to the Valve

1. The drive shaft of the MLx984 Actuator has a 1/4-28 UNF threaded hole to link with the valve stem. Slide the yoke over the valve bonnet (Fig. 4).
2. Thread the MLx984 Actuator drive shaft onto the valve stem all the way, until it is completely attached (with no threads showing), by turning the valve actuator in a clockwise direction, as viewed from above. Depending on the valve body, use a pin or wrench to keep the valve stem from turning. Note that the valve actuator is shipped with the drive shaft in the mid-position.
3. Care should be exercised when using tools on the valve stem during tightening (Fig. 4). DO NOT damage the threads or other parts of the stem.
4. Orient the conduit hole to the most desirable direction, then tighten the LOCKNUTS on the U-bolt.
5. Remove the plastic cover from the MLx984 by loosening the two captive screws located on the top. Drop the Allen (Hex) type of set screw (included in the plastic bag) into the top of the shaft, hex side up.
6. **Tighten the set screw to lock valve stem in place** (Fig. 6), using a 1/8 in. Allen wrench (included).

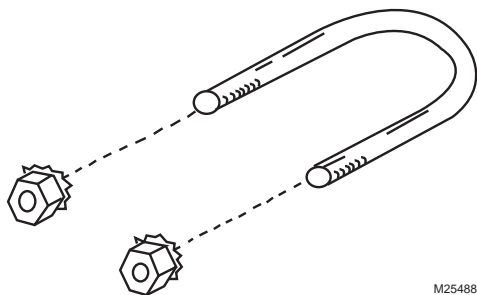
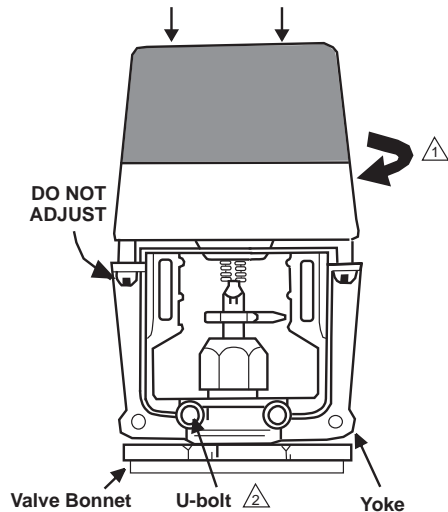


Fig. 4. U-bolt Assembly.

NOTE: Use the U-bolt supplied with the actuator. Do not replace with stainless steel U-bolt on chilled water valves. Condensation may cause corrosion of yoke with SS U-bolt.



- △ THREAD ACTUATOR SHAFT TO VALVE STEM BY ROTATING IN A CLOCKWISE DIRECTION.
 - △ TIGHTEN U-BOLT NUTS TO SECURE LINKAGE TO VALVE BODY.
- M25489

Fig. 5. Assembly of MLx984A to Valve.

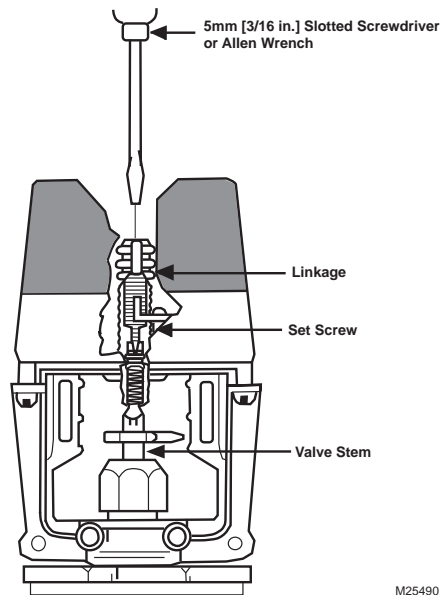


Fig. 6. Locking MLx984A Drive Shaft to Valve Stem.



CAUTION

For proper valve operation the valve stem must be threaded into the actuator all the way (with no threads showing) and locked in place with the set screw provided.

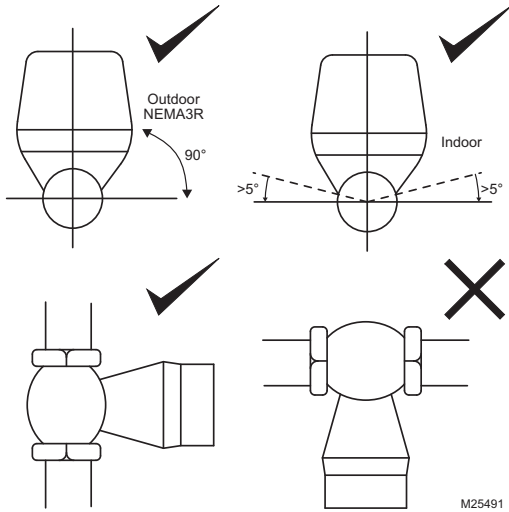


Fig. 7. Mounting Positions.

WIRING SCHEMATICS

MLx984 actuators are designed to operate from a Safety Extra Low Voltage, Class II power source. A 7/8 in. (22 mm) wiring hole is provided for attaching a flexible conduit where required by local codes. When installing outdoors, weatherproof conduit fittings approved for outdoor and wet locations must be used.

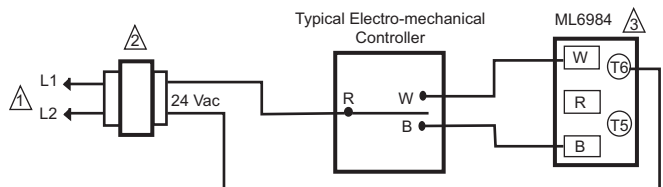


CAUTION

Electrical Shock or Equipment Damage Hazard.
Can Shock Individuals or Short Equipment Circuitry.

Disconnect power supply to the actuator to prevent electrical shock and equipment damage, or remove and cap the air line to the actuator.

NOTE: In all cases when wiring multiple actuators, the power supply to all actuators must be connected in a “star” fashion to reduce excessive voltage drop. **DO NOT** “daisy chain” i.e. connect power to one actuator then branch to another.

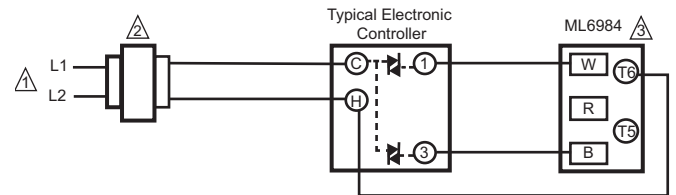


- ⚠ POWER SUPPLY PROVIDES OVERLOAD PROTECTION AND DISCONNECT MEANS.
- ⚠ ALLOW UP TO 0.5 AMPS FOR EACH DEVICE. ACTUATORS AND CONTROLLER CAN SHARE SAME TRANSFORMER, PROVIDED THAT THE VA RATING OF THE TRANSFORMER IS NOT EXCEEDED AND PROPER PHASING IS OBSERVED. DO NOT MIX A.C. AND D.C. POWER SOURCES.
- ⚠ CONTROLLER CAN BE LOW VOLTAGE SPDT SERIES 20 “ON-OFF” OR SP3T SERIES 60 “FLOATING” (TRI-STATE) TYPE. TERMINALS R AND T5 ARE CONNECTED INSIDE THE ML6984. M25492

Fig. 8. 3-Wire Control of ML6984 with Series 60 Controller.

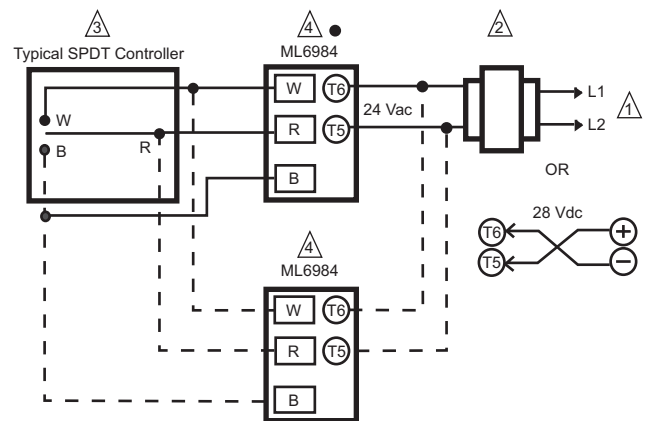
Operation

The recommended valve actuator power source is a Safety Extra-Low Voltage (SELV) Class II, 24 V transformer or regulated 28 Vdc across terminals T5 and T6. Internal circuitry provides dc power for the electronic sensing and drive motor circuits.



- ⚠ POWER SUPPLY PROVIDES OVERLOAD PROTECTION AND DISCONNECT MEANS.
- ⚠ ALLOW UP TO 0.5 AMPS FOR EACH DEVICE. ACTUATORS AND CONTROLLER CAN SHARE SAME TRANSFORMER, PROVIDED THAT THE VA RATING OF THE TRANSFORMER IS NOT EXCEEDED AND PROPER PHASING IS OBSERVED. DO NOT MIX A.C. AND D.C. POWER SOURCES.
- ⚠ CONTROLLER CAN BE LOW VOLTAGE SPDT SERIES 20 “ON-OFF” OR SP3T SERIES 60 “FLOATING” (TRI-STATE) TYPE. TERMINALS R AND T5 ARE CONNECTED INSIDE THE ML6984. M25493

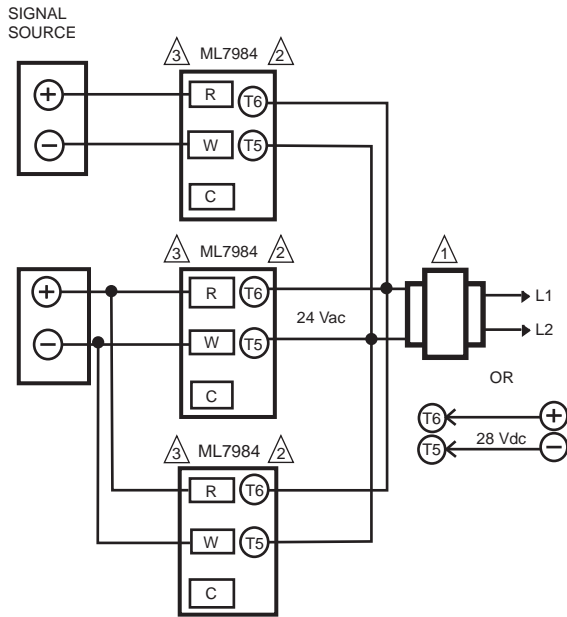
Fig. 9. 3-Wire Control of ML6984 with Electronic Controller.



- ⚠ POWER SUPPLY PROVIDES OVERLOAD PROTECTION AND DISCONNECT MEANS.
- ⚠ ALLOW UP TO 0.5 AMPS FOR EACH DEVICE. ACTUATORS AND CONTROLLER CAN SHARE SAME TRANSFORMER, PROVIDED THAT THE VA RATING OF THE TRANSFORMER IS NOT EXCEEDED AND PROPER PHASING IS OBSERVED. DO NOT MIX A.C. AND D.C. POWER SOURCES.
- ⚠ CONTROLLER CAN BE LOW VOLTAGE SPDT SERIES 20 “ON-OFF” OR SP3T SERIES 60 “FLOATING” (TRI-STATE) TYPE. TERMINALS R AND T5 ARE CONNECTED INSIDE THE ML6984.
- ⚠ MULTIPLE ACTUATORS CONTROLLED BY A COMMON CONTROLLER IN PARALLEL MUST BE WIRED SO THAT THEY ALL TRAVEL IN THE SAME DIRECTION. REVERSE ACTING ACTUATORS WILL NOT OPERATE RELIABLY IN COMBINATION WITH DIRECT ACTING UNITS DUE TO GEARBOX TOLERANCES. USE ML7984 MODULATING ACTUATORS, OR DEDICATED CONTROLLERS, OR SEPARATE CONTROLLER OUTPUTS FOR EACH GROUP INSTEAD. M25494

Fig. 10. 5-Wire Control of ML6984.

ML6984, ML7984 SERIES 4000 DIRECT COUPLED VALVE ACTUATORS

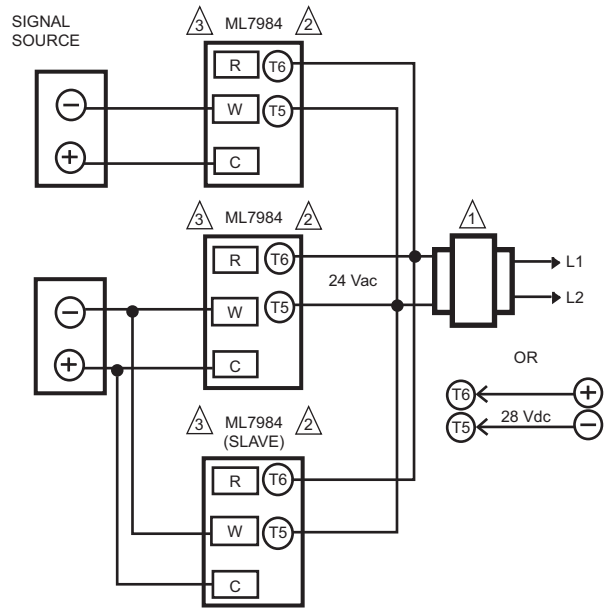


FUNCTION	DIP SWITCH CONFIGURATION
1000 2-10 Vdc Direct Acting	
1010 10-2 Vdc Reverse Acting	

- ⚠ POWER SUPPLY PROVIDES OVERLOAD PROTECTION AND DISCONNECT MEANS.
- ⚠ ALLOW UP TO 0.5 AMPS FOR EACH DEVICE. ACTUATORS AND CONTROLLER CAN SHARE SAME TRANSFORMER PROVIDING THE VA RATING OF THE TRANSFORMER IS NOT EXCEEDED AND PROPER PHASING IS OBSERVED. DO NOT MIX A.C. AND D.C. POWER SOURCES.
- ⚠ IN ML7984, "T5" AND "W" TERMINALS ARE CONNECTED INTERNALLY. DEVICE IS COMPATIBLE WITH 3 CONDUCTOR WIRING.
- ⚠ USE CONFIGURATION DIP SWITCHES TO SELECT DEVICE FUNCTIONS: DIRECT ACTING FUNCTION (ACTUATOR STEM MOVES DOWNWARDS WITH SIGNAL INCREASES TO 10V/20MA) OR REVERSE ACTING FUNCTION (ACTUATOR STEM MOVES UPWARDS WITH SIGNAL INCREASES TO 10V/20MA).
- ⚠ ALWAYS TURN POWER OFF BEFORE SETTING ANY DIP SWITCHES.

M25495

Fig. 11. ML7984 Wiring with 10 Vdc Analog Control Signal.

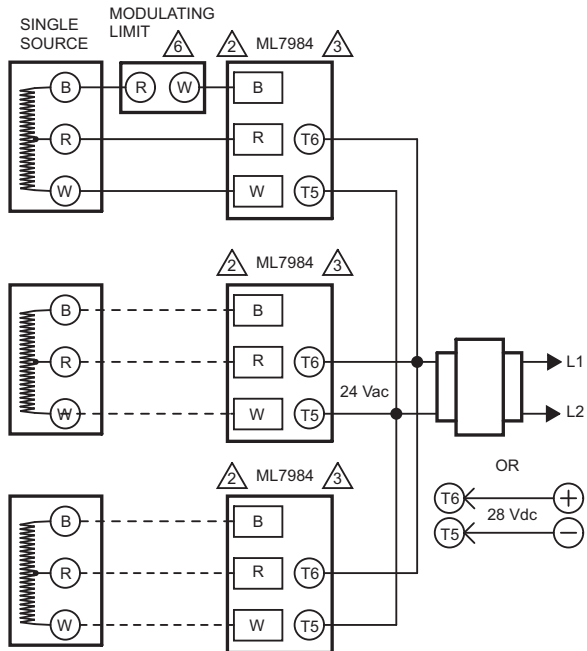


FUNCTION	DIP SWITCH CONFIGURATION
X000 4-20 mA Direct Acting	
X010 20-4 mA Reverse Acting	

- ⚠ POWER SUPPLY PROVIDES OVERLOAD PROTECTION AND DISCONNECT MEANS.
- ⚠ ALLOW UP TO 0.5 AMPS FOR EACH DEVICE. ACTUATORS AND CONTROLLER CAN SHARE SAME TRANSFORMER PROVIDING THE VA RATING OF THE TRANSFORMER IS NOT EXCEEDED AND PROPER PHASING IS OBSERVED. DO NOT MIX A.C. AND D.C. POWER SOURCES.
- ⚠ IN ML7984, "T5" AND "W" TERMINALS ARE CONNECTED INTERNALLY. DEVICE IS COMPATIBLE WITH 3 CONDUCTOR WIRING.
- ⚠ USE CONFIGURATION DIP SWITCHES TO SELECT DEVICE FUNCTIONS: DIRECT ACTING FUNCTION (ACTUATOR STEM MOVES DOWNWARDS WITH SIGNAL INCREASES TO 10V/20MA) OR REVERSE ACTING FUNCTION (ACTUATOR STEM MOVES UPWARDS WITH SIGNAL INCREASES TO 10V/20MA).
- ⚠ ALWAYS TURN POWER OFF BEFORE SETTING ANY DIP SWITCHES.

M25496

Fig. 12. ML7984 Wiring with 20mA Analog Control Signal.

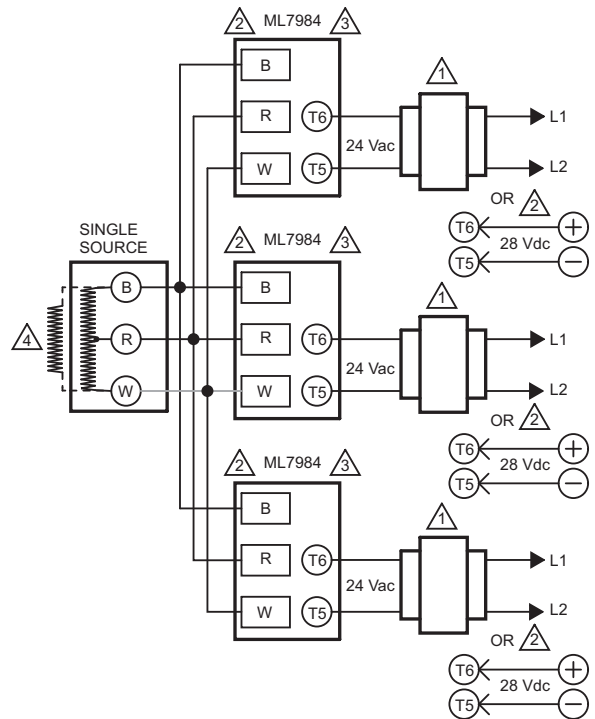


FUNCTION	DIP SWITCH CONFIGURATION
1001 Mechanical Series 90 Direct Acting	 On (1) Off (0)
1011 Mechanical Series 90 Reverse Acting	 On (1) Off (0)

- ⚠ POWER SUPPLY PROVIDES OVERLOAD PROTECTION AND DISCONNECT MEANS.
- ⚠ ALLOW UP TO 0.5 AMPS FOR EACH DEVICE. ACTUATORS AND CONTROLLER CAN SHARE SAME TRANSFORMER PROVIDING THE VA RATING OF THE TRANSFORMER IS NOT EXCEEDED AND PROPER PHASING IS OBSERVED. DO NOT MIX A.C. AND D.C. POWER SOURCES.
- ⚠ DO NOT MIX M984/6 OR MODUTROL MOTORS WITH THE ML7984 IN THE SAME CIRCUITRY.
- ⚠ USE CONFIGURATION DIP SWITCHES TO SELECT DEVICE FUNCTIONS: DIRECT ACTING FUNCTION (ACTUATOR STEM MOVES UPWARDS WITH SIGNAL INCREASE) OR REVERSE ACTING FUNCTION (ACTUATOR STEM MOVES DOWNWARDS WITH SIGNAL INCREASE).
- ⚠ TURN POWER OFF BEFORE SETTING ANY DIP SWITCHES. FOR COMMON TRANSFORMER AND COMMON CONTROLLER APPLICATION, PLEASE CONSULT THE FACTORY.
- ⚠ MAXIMUM RESISTANCE PER CONTROL CIRCUIT OF 280 OHM.

M25497

Fig. 13. ML7984 Wiring with Common Transformer, Individual Controllers.



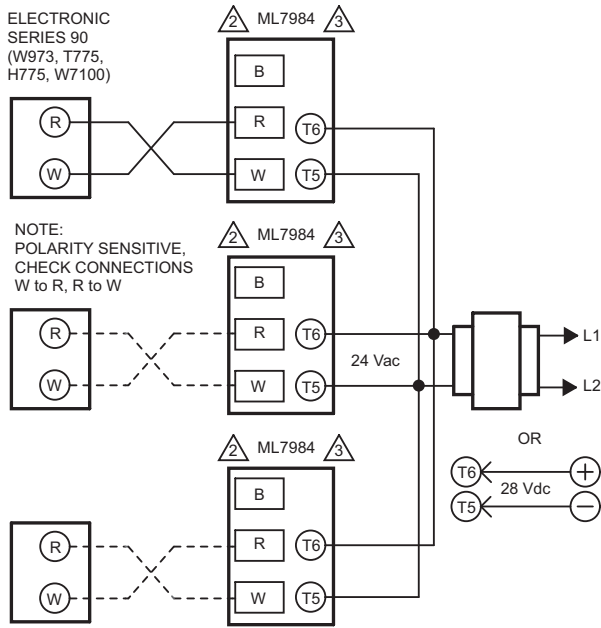
RESISTOR SELECTION CHART		
NO. OF ACTUATORS	RESISTOR VALUE	
1	RESISTOR NOT REQ'D.	ALL RESISTORS 1/4 WATT 1% METAL FILM
2	133 OHM	
3	68.1 OHM	
4	45.3 OHM	

- ⚠ POWER SUPPLY PROVIDES OVERLOAD PROTECTION AND DISCONNECT MEANS.
- ⚠ ALLOW UP TO 0.5 AMPS FOR EACH DEVICE. ACTUATORS AND CONTROLLER CAN SHARE SAME TRANSFORMER PROVIDING THE VA RATING OF THE TRANSFORMER IS NOT EXCEEDED AND PROPER PHASING IS OBSERVED. DO NOT MIX A.C. AND D.C. POWER SOURCES.
- ⚠ DO NOT MIX M984/6 OR MODUTROL MOTORS WITH THE ML7984 IN THE SAME CIRCUITRY.
- ⚠ USE RESISTOR KIT PART NUMBER 272822.

M25498

Fig. 14. ML7984 with Individual Transformers, Common Controller.

ML6984, ML7984 SERIES 4000 DIRECT COUPLED VALVE ACTUATORS



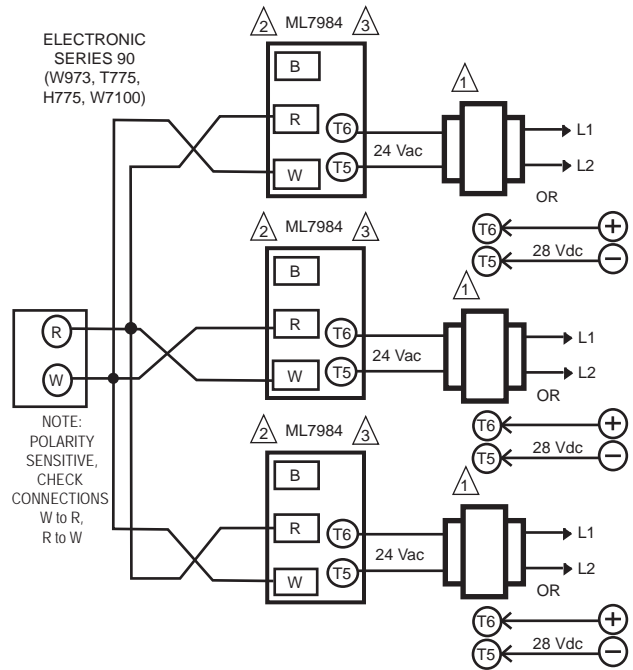
NOTE:
POLARITY SENSITIVE,
CHECK CONNECTIONS
W to R, R to W

FUNCTION	DIP SWITCH CONFIGURATION
1101 Electronic Series 90 Direct Acting	 On (1) Off (0)
1111 Electronic Series 90 Reverse Acting	 On (1) Off (0)

- ⚠ POWER SUPPLY PROVIDES OVERLOAD PROTECTION AND DISCONNECT MEANS.
- ⚠ ALLOW UP TO 0.5 AMPS FOR EACH DEVICE. ACTUATORS AND CONTROLLER CAN SHARE SAME TRANSFORMER PROVIDING THE VA RATING OF THE TRANSFORMER IS NOT EXCEEDED AND PROPER PHASING IS OBSERVED. DO NOT MIX A.C. AND D.C. POWER SOURCES.
- ⚠ DO NOT MIX M984/6 OR MODUTROL MOTORS WITH THE ML7984 IN THE SAME CIRCUITRY.
- ⚠ USE CONFIGURATION DIP SWITCHES TO SELECT DEVICE FUNCTIONS: DIRECT ACTING FUNCTION (ACTUATOR STEM MOVES UPWARDS WITH SIGNAL INCREASES TO 10V/20MA) OR REVERSE ACTING FUNCTION (ACTUATOR STEM MOVES DOWNWARDS WITH SIGNAL INCREASES TO 10V/20MA).
- ⚠ TURN POWER OFF BEFORE SETTING ANY DIP SWITCHES.

M25499

Fig. 15. ML7984 with Common Transformer, Individual Controllers.



NOTE:
POLARITY SENSITIVE,
CHECK CONNECTIONS
W to R,
R to W

FUNCTION	DIP SWITCH CONFIGURATION
1101 Electronic Series 90 Direct Acting	 On (1) Off (0)
1111 Electronic Series 90 Reverse Acting	 On (1) Off (0)

- ⚠ POWER SUPPLY PROVIDES OVERLOAD PROTECTION AND DISCONNECT MEANS.
- ⚠ ALLOW UP TO 0.5 AMPS FOR EACH DEVICE. ACTUATORS AND CONTROLLER CAN SHARE SAME TRANSFORMER PROVIDING THE VA RATING OF THE TRANSFORMER IS NOT EXCEEDED AND PROPER PHASING IS OBSERVED. DO NOT MIX A.C. AND D.C. POWER SOURCES.
- ⚠ DO NOT MIX M984/6 OR MODUTROL MOTORS WITH THE ML7984 IN THE SAME CIRCUITRY.
- ⚠ USE CONFIGURATION DIP SWITCHES TO SELECT DEVICE FUNCTIONS: DIRECT ACTING FUNCTION (ACTUATOR STEM MOVES UPWARDS WITH SIGNAL INCREASES TO 10V/20MA) OR REVERSE ACTING FUNCTION (ACTUATOR STEM MOVES DOWNWARDS WITH SIGNAL INCREASES TO 10V/20MA).
- ⚠ TURN POWER OFF BEFORE SETTING ANY DIP SWITCHES.

M25500

Fig. 16. ML7984 with Individual Transformers, Common Controller.

OPERATION

Each time actuator terminals T5 and T6 are (re)powered, the microprocessor will cycle the valve through a full stroke to calibrate its position. Any stroke between 1/2 in. (13 mm) and 1 in. (25 mm) will be divided into 30 equal steps. Run time is proportional to stroke length and power supply voltage. The actuator will also slow down as the valve closes off the seat. The LED lights when terminals T5 and T6 are powered, and flashes when the actuator is in motion. T5 is connected to Terminal R in ML6984 and to Terminal W in ML7984.

NOTE: Initial calibration does not apply to ML6984 installed for 3-wire control or installed for 5-wire control without the 272630D position feedback/auxiliary switch module. Span and start positions will need to be set during controller set-up. See ML6984 Operation 3-wire, below. ML7984 always conducts a self-calibration sequence when (re)powering up.

ML7984 Operation

The microprocessor responds to the signal across the input terminals based on the configuration DIP switch settings.

When correctly connected to the actuator, a control signal between signal input terminals is converted to a digital run time and compared to pulse counts from the first gear in the gear train. When these counters are equal, the drive motor and drive shaft are stationary.

As long as the value of the controlled medium remains at the controller setpoint, the control loop circuit is in balance, and the actuator does not run. When the controller set point or controlled temperature changes, the controller output voltage is changed, causing the counters to differ. As the actuator moves in the direction to correct the difference, the counters increment or decrement, and stop the actuator when the input and gear counts agree.

At the end of the valve stroke, the actuator develops the necessary force for positive valve close-off. The motor stops automatically when the motor draws a predetermined current which corresponds to a force level. The digital counters are reset and calibrated at each end of stroke.

Modulating actuators will automatically travel to the position corresponding to analog input signal following the self-calibration cycle.



CAUTION

Disconnect power supply before beginning installation to prevent electrical shock and equipment damage.

All wiring must comply with applicable local electrical codes, ordinances, and regulations.

Make certain that the voltage and frequency of the power supply correspond to the rating of the device.

DO NOT electrically operate the MLx984 actuator before assembly to the valve because damage not apparent to the installer may occur.

DO NOT connect 24 Vac between any ML7984 signal input terminals. **DEVICE FAILURE WILL RESULT.**

NOTE:

1. The ML7984 must be field configured with the DIP switches which are located beside the terminal block. See wiring diagrams for details. Turn power off before setting any DIP switches.
2. There is a 1.5 second delay in actuator response to every signal change. This occurs to screen out electrical noise.
3. For proper operation, voltage on the T5 and T6 must not be less than 22 Vac or 24 Vdc during running or force generating stages. Increase transformer VA rating or use a model with better regulation if voltage drops below 22 Vac when the valve is closing off.

ML6984 Floating Operation, 5-Wire

The motor is controlled by a microprocessor. Connecting B to R for 1/10 second or longer tells the microprocessor to cause the actuator to drive upwards. Connecting W to R will cause the actuator to drive downwards. For "floating" control, the actuator will remain in the last position when there is no connection to R.

At the end of the valve stroke, the actuator will develop the necessary force for positive valve close-off. As forces are developed, the current to the motor increases. The microprocessor stops the actuator automatically when motor current and force reaches the factory-calibrated level.

NOTE: There must be at least 1.5 second delay between successive floating input signals. The actuator will ignore floating signals during calibration cycle and does not remember any pulses sent during this period. The controller may need to run through its own calibration cycle before use.

ML6984 Operation, 3-Wire

ML6984 may be installed like a conventional (non-electronic) floating actuator. The interface electronics are powered at the same time as the motor. Pulses must be at least 100 ms long with a delay of at least 1500 ms between pulses. When ML6984 is not powered between terminals T6 and T5/R, self-calibration will not occur. The controller must drive the valve through a cycle manually to calibrate stroke to the controller.

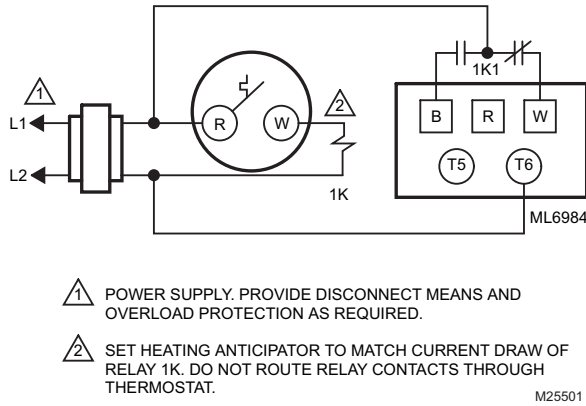
NOTE: The 272630D position feedback/auxiliary switch module cannot be used with ML6984 3-wire installation. The 272630D requires continuous power.

ML6984 XL10 Controller Compatibility

XL10 controllers are designed to work with constant-speed actuators. ML6984 actuators use direct current motors which vary their speed as the valve seats or if power supply voltage is not consistent. ML6984 actuators in 5-wire mode offer 30 discrete positions only. To minimize potential valve position drift, XL10 controllers should use the 3-wire installation and be programmed for a daily valve exercise cycle.

ML6984 On-Off Operation

For on-off operation, ML6984 requires a 24 Vac SPDT contact. An interface relay such as RA889 is required to power the anticipator heater of an electromechanical thermostat such as T87F (See Fig. 17).



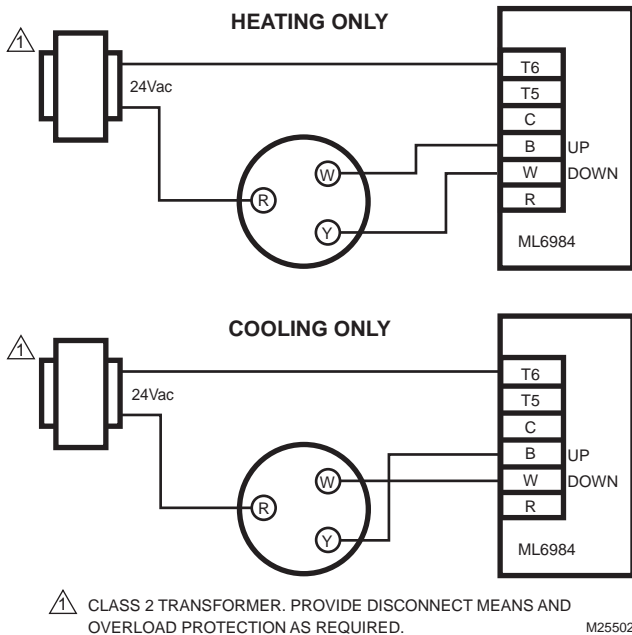
- ⚠ POWER SUPPLY. PROVIDE DISCONNECT MEANS AND OVERLOAD PROTECTION AS REQUIRED.
- ⚠ SET HEATING ANTICIPATOR TO MATCH CURRENT DRAW OF RELAY 1K. DO NOT ROUTE RELAY CONTACTS THROUGH THERMOSTAT.

M25501

Fig. 17. ML6984 with Honeywell T87F Round™ Thermostat.

If connecting the ML6984 directly to a T87F with a Series 20 sub-base, clip out the cooling anticipation resistor on the sub-base between terminals R_c and Y. This is needed for electrical compatibility with ML6984 but may result in wider room temperature swings due to the loss of anticipation.

REPLACEMENT NOTES

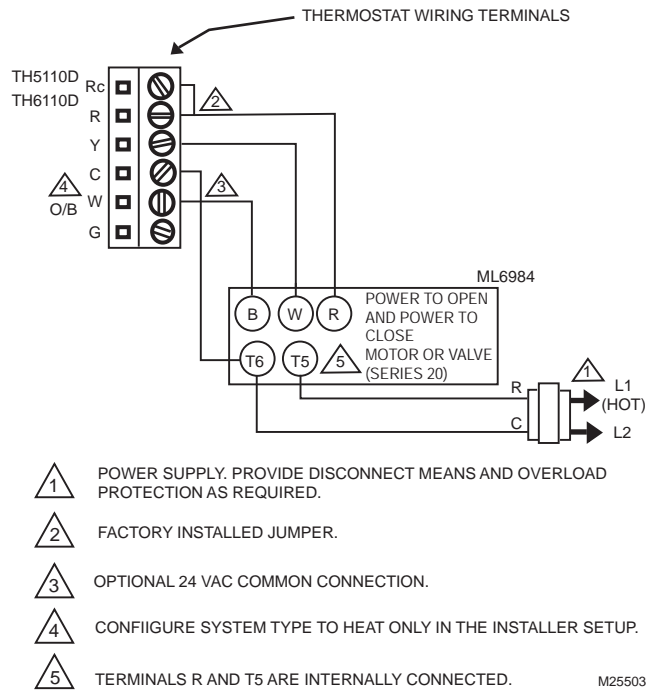


- ⚠ CLASS 2 TRANSFORMER. PROVIDE DISCONNECT MEANS AND OVERLOAD PROTECTION AS REQUIRED.

M25502

Fig. 18. ML6984 with Honeywell T87K Round™ Thermostat.

See Fig. 19, if connecting TH5110D or TH6110D FocusPRO™ thermostats to ML6984. Configure the thermostats for Series 20 operation.



- ⚠ POWER SUPPLY. PROVIDE DISCONNECT MEANS AND OVERLOAD PROTECTION AS REQUIRED.
- ⚠ FACTORY INSTALLED JUMPER.
- ⚠ OPTIONAL 24 VAC COMMON CONNECTION.
- ⚠ CONFIGURE SYSTEM TYPE TO HEAT ONLY IN THE INSTALLER SETUP.
- ⚠ TERMINALS R AND T5 ARE INTERNALLY CONNECTED.

M25503

Fig. 19. ML6984 with FocusPro™ Electronic Thermostat.

To Replace ML784 or ML984

1. The old ML784 or ML984 actuators cannot be used with new ML7984 valve actuators in the same circuitry, unless the old models are each powered by their own transformer to prevent cross-talking.
2. The ML7984 is a direct replacement for all old ML784 and ML984, except:
 - a. When replacing the old reverse acting models, the signal input wires to the new devices no longer need to be reversed. Just follow the terminal polarity designations and DIP switch settings.
 - b. When replacing the old actuator which has an Electronic Series 90 "Supermod" controller - e.g.: T775, W973, H775, or W7100 - the old interface resistor must be removed. The ML7984 Series 4000 will work directly with the controller without the external 240 ohm resistor.
 - c. When replacing the old ML784 (mA model) in multiple-actuator installations, resistor(s) will be needed. Use Resistor Kit (part no. 272822) and set DIP switches accordingly. See Figures 17 and 18.

To Replace ML684A

1. The new ML6984 is a direct replacement for the old ML684A in single actuator or parallel multiple actuators hook-up. The old and new actuators can be mixed in the same electrical circuit. For multiple actuators controlled by a common controller in parallel, these actuators must be wired so that they all travel in the same direction.
2. When replacing the ML684A1009 (80 lbf) with this new ML6984 on the V5045 valve, the installed valve adaptor (part no. 272629A) on the valve stem and actuator assembly is still needed.

NOTE: The 272630D position feedback/auxiliary switch module cannot be used with ML6984 3-wire installation. The 272630D requires continuous power.

To Replace ML6874

1. The ML6984 is a direct replacement for the old ML6874 in single actuator hook-up.
2. For parallel, multiple ML6874 actuators applications, an isolation relay must be used. The isolation relay contacts should be placed in the new ML6984 actuator signal input "W" and "B" circuit.

To Replace Line Voltage Auxiliary Switches

These accessories are no longer available. Replace the old actuator with new model and 272630D position feedback/auxiliary switch module.

Operate an external relay, such as R8845U, using the adjustable SPDT pilot duty output on the 272630D.

If a second, independent output switch is needed, wire the 2-10 Vdc position feedback signal to an Approved, adjustable, voltage-controlled relay.

CHECKOUT

ML7984

1. Make sure the valve stem is completely screwed into the actuator drive shaft with no threads showing before applying power.
2. Make sure the valve stem is locked in place with the set screw.
3. Make sure the Configuration DIP switches are set correctly.
4. With 24 Vac or 28 Vdc power source connected to T5 and T6, actuator operation can be verified by connecting appropriate control signal (Series 70/90) from controller to the signal input terminals (Figures 8 thru 16). For direct acting: A modulating action can be obtained by increasing the control signal. The actuator will travel from stem down to stem up. On signal failure (disconnected/no signal), actuator defaults to closed position. For reverse acting: Decreasing controller signal will drive

actuator from full stem down to full stem up. On signal failure (disconnect/no signal), actuator defaults to open position.

5. Operate the system (valve, actuator, and controller) for several cycles to ensure proper installation.
6. When checkout is complete, return the controller to the desired setting.

NOTE:

1. The Device will ignore any input changes until it has completed its repositioning relative to the initial signal input.
2. 272630D position feedback/auxiliary switch module is inactive during self-calibration.

ML6984: 5-Wire Installation

1. Make sure the valve stem is completely screwed into the actuator drive shaft with no threads showing before applying power.
2. Make sure the valve stem is locked in place with the set screw.
3. Connect 24 Vac or 28 Vdc power to T5 and T6.
4. Jumper R and B. The valve stem should move up.
5. Jumper R and W. The valve stem should move down.
6. For Floating operation, open R connection Valve stem should remain in position.
7. Re-connect all control wiring.
8. Operate the system (valve, actuator, and controller) for several cycles to ensure proper installation.
9. When checkout is complete, return the controller to the desired setting.

ML6984: 3-Wire Installation

1. Make sure the valve stem is completely screwed into the actuator drive shaft with no threads showing before applying power.
2. Make sure the valve stem is locked in place with the set screw.
3. Connect 24 Vac to T6.
4. Manually override the controller to signal the actuator to open/close for a few cycles to ensure proper installation.
5. When checkout is complete, return the controller to the desired setting.

TROUBLESHOOTING

Symptom	Possible Causes	Actions
Valve seat leaks or will not close properly	Wrong actuator used and/or system head pressure too high	1) Check valve close-off rating 2) Check voltage at actuator terminals
	Actuator not properly installed	Ensure valve stem is fully threaded into brass drive shaft and locked in place with the set screw
	Incorrect DIP switch settings	Check against Product Instruction Sheet
Noisy Motor	Bearing failed due to overheat	1) Check for excessive temperature and replace complete actuator 2) Use high temperature kit (43196000-001)
	Brushes worn out	Check for excessive cycling and replace actuator
Motor overheats/smoke/component burn-out	Current sensing circuit failed or electronic components failed	Replace actuator. Make sure: 1) Correct actuator used 2) Properly installed 3) Do not operate actuator before mounting on valve supply 4) Proper voltage supply
ML will not respond	LED (on):	
	Incorrect DIP switch settings	Check against Product Instruction Sheet
	No control signal present	Check controller
	Incorrect wiring connections	Check against Product Instruction Sheet
	Internal time delay	Allow at least 1/2 - 1 second for the ML to respond
	LED (off):	
	No or low power supply	Check voltage on T5 and T6 terminals
Error mode (gearbox damage)	1) Check power supply 2) Check calibration cycle 3) Valve stroke length less than 1/2 in. or greater than 1-1/4 in. 4) Reset device by a momentary disconnect of power at T5 and T6	
Vdc/mA signal drops when connected to ML	ML7984 in mA mode with voltage input	Change DIP switch setting
	Signal degradation due to incompatible load impedance	Output and ML input impedance specifications
Actuator yoke corrodes	Galvanic reaction from dissimilar metals if SS U-bolt used with aluminum yoke	Replace U-bolt with galvanized U-bolt and nuts
Floating Actuator position "drifts" when used with building automation system	Mismatch between actuator resolution (30 steps) and BAS controller	1) Read actual valve position using 272630D feedback module 2) Rewire actuator for 3-wire control 3) Program daily valve reset.

TYPICAL SPECIFICATIONS

Valve Actuators shall mount directly to the bonnet of the valve, and shall be self-contained and self adjusting.

Direct coupled valve actuators shall be 24° Vac or 28° Vdc power, available with floating or modulating control signal inputs. Actuator shall be usable with common power supply for multiple actuators and controllers.

Position feedback voltage/pilot duty auxiliary switch kit, mounting adaptor, high temperature kits, and resistor kits for multiple actuator application shall be optional accessories for direct coupled valve actuators.

Direct coupled valve actuators shall have a minimum performance rating of 50,000 full stroke cycles plus 1,000,000 repositions documented in the product literature.

Direct coupled valve actuators shall be manufactured by the same company as manufacturers of the valves.

Automation and Control Solutions

Honeywell International Inc.

1985 Douglas Drive North

Golden Valley, MN 55422

customer.honeywell.com

© U.S. Registered Trademark
© 2011 Honeywell International Inc.
95C-10939EFS—03 K.K. Rev. 07-11
Printed in United States

Honeywell

Actionneurs de vanne à couplage direct ML6984, ML7984 série 4000

DONNÉES SUR LE PRODUIT

CARACTÉRISTIQUES



- Accouplement de clapet-bille motorisé autonome.
- Détection de position numérique par microprocesseur et commande motorisée pour un positionnement précis.
- Taille compacte pour une installation facile dans les espaces restreints.
- Couvercle étanche à la pluie NEMA 3R pour une installation à l'extérieur.
- Étalonnage automatique de la course de vanne de 13 mm (1/2 po) à 25 (1 po).
- Sélection de la configuration d'entrée avec commutateur DIP.
- Voyant DEL (diode électroluminescente) d'état.
- Configurable en mode à 3 fils pour les modèles flottants.
- Force de fermeture de vanne de 710 N 160 lbf (712 N).
- Utilisable avec source alimentation par transformateur commune pour les actionneurs et régulateurs multiples.
- Alimentation 24 V c.a. ou 28 V c.c.
- Module d'interrupteur auxiliaire/rétroaction de position pour installation sur site disponible pour modèles à 5 fils.

APPLICATION

Les modèles ML6984 et ML7984 sont des actionneurs de vanne motorisés autonomes et autoréglables qui se montent directement sur les clapets-billes V5011 à deux voies et V5013 à trois voies, assurant un fonctionnement de tige linéaire entre 13 mm (1/2 po) et 25 mm (1 po).

Le modèle ML6984 est conçu pour une utilisation avec les régulateurs électroniques et électromécaniques unipolaires bidirectionnels série 20, série 60 (marche-arrêt) ou unipolaires tridirectionnels série 60 (flottants).

Le ML7984 est conçu pour une utilisation avec les régulateurs série 70 à 0-10 V c.c., 2-10 V c.c., 4-20 mA, les modèles électroniques série 90 " SuperMod " et les régulateurs modulateurs de 135 ohms.

Contenu

Spécifications	2
Informations de commande	2
Installation	3
Schémas de câblage	5
Fonctionnement.....	9
Remarques relatives au remplacement.....	10
Vérification.....	11
Dépannage.....	12



SPÉCIFICATIONS

IMPORTANT

Les spécifications indiquées dans cette publication n'incluent pas les tolérances de fabrication normales. En conséquence, cette unité peut ne pas correspondre exactement aux spécifications indiquées. En outre, ce produit est testé et étalonné dans des conditions strictement contrôlées, et des différences de performance mineures peuvent avoir lieu si ces conditions sont différentes.

Environnement de service:

Température ambiante de service: 0 à 54 °C (32 à 130 °F) mesuré au niveau de l'actionneur.

Température d'expédition: -40 à 65 °C (-40 à 150 °F)

Humidité relative: 15 % à 95 % jusqu'à 40 °C (104 °F), atmosphère sans condensation, couvercle NEMA-3R/IP54 pour installation à l'extérieur.

Bruit acoustique: Niveau de pression sonore max. 55 dBA à une distance de 991,0 mm (39 po).

Caractéristiques électriques: Alimentation/consommation : 24 V (+10 %, -15 %), 50/60 Hz ou 28 V c.c. +/- 10 %, 6 VA (en fonctionnement), 12 VA (siège de vanne).

Caractéristiques/Déclaration CE: Les actionneurs ML6984 et ML7984 sont conformes aux exigences essentielles de la directive basse tension 73/23/CEE basées sur les normes EN 60730-1:2000 et EN 60730-2-14:1995+A1:2001

Entrées:

ML6984 - 25 mA 24 V c.a. (mode à 5 fils uniquement)
 - 500 mA (mode de siège de vanne à 3 fils)
 - Durée d'entrée de signal min. : 100 ms

ML7984* - 2 -10 V c.c. (1 mA); 4-20 mA c.c.

*Peut être utilisé avec une entrée de 0-10 V c.c. mais la vanne se ferme à 2 V c.c.

Impédance d'entrée pour le modèle ML7984:

Source de tension - 20 KW ohms

Source de courant - 237 ohms

Poids d'expédition: Environ 1 kg (2,2 lb).

Accessoires/pièces détachées:

272629A - Adaptateur de montage pour vannes V5045.

272630D - Interrupteur auxiliaire basse tension de rétroaction de position électronique.

272822 - Nécessaire de résistances pour application avec actionneur multiple série 90 et pour ML7984 pour remplacer l'ancien modèle ML784 (4-20 mA).

40003793-005 - Sac de visserie de montage.

Caractéristiques mécaniques:

Course - entre 13 mm (1/2 po) et 25 mm (1 po), autoréglable.
 Chapeau - 1 3/8 in. (35 mm) pour vannes V5011/13 jusqu'à 76 mm (3 po)(DN80).

Accouplement de la tige - filetage 1/4-28 UNF

Synchronisation de la vanne - 63 secondes nominales pour course de 19 mm (3/4 po)

- Proportionnelle à la longueur de la course à 24 V c.a.

Force de fermeture - 710 N (160 lbf) minimum à 24 V c.a.

- La force varie de 22 N/V (5 lbf/V).

Caractéristiques de performance:

Durée de vie prévue - (à la charge nominale et dans les conditions d'alimentation spécifiées) 50 000 cycles complets plus 1 000 000 repositionnements à 10 % de la course de la tige, ou 10 ans, à la première échéance.

Hystérésis - 5 %

Table 1. Tenue en pression à la fermeture du modèle ML6984/7984 Série 4000 avec vannes Honeywell, en psid

Type	Famille de vanne	1/2 po.	3/4 po.	1 po.	1-1/4 po.	1-1/2 po.	2 po.	2-1/2 po.	3 po.
Évasé	V5011A	150	150	150	150	91	58	77	53
	V3350/51/60/61; V3450/51/60/61	—	—	—	—	—	—	63	45
NPT	V5011F, G	150	150	150	150	91	58	33	19
	V5011H, J	150	150	150	150	—	—	—	—
	V5011N, V5013N	230	230	193	123	79	44	—	—
	V5011N2xxx, V5011G Vapeur	100	100	100	100	79	44	—	—
	V5013F	150	150	150	149	91	58	—	—

*Ne pas dépasser 100 psid avec des vannes utilisées dans des applications en service vapeur.

POUR COMMANDER

Au moment d'acheter des produits de modernisation ou de remplacement auprès de votre grossiste ou distributeur TRADELINE®, consultez le catalogue TRADELINE® ou les tarifs pour obtenir le numéro de pièce. Prière d'adresser toute question additionnelle, demande d'information ou commentaires sur les produits et services par écrit ou par téléphone :

1. Au bureau des ventes de la Régulation d'ambiance et de combustion Honeywell de votre localité (consulter les pages blanches de l'annuaire téléphonique).
2. À Honeywell Customer Care
1885 Douglas Drive North
Minneapolis, Minnesota 55422-4386
3. <http://customer.honeywell.com> ou <http://customer.honeywell.ca>

Points de vente et de service dans toutes les grandes villes du monde. Fabriqué en Belgique, au Canada, en Chine, en République tchèque, en Allemagne, en Hongrie, en Italie, au Mexique, aux Pays-Bas, au Royaume-Uni et aux États-Unis.

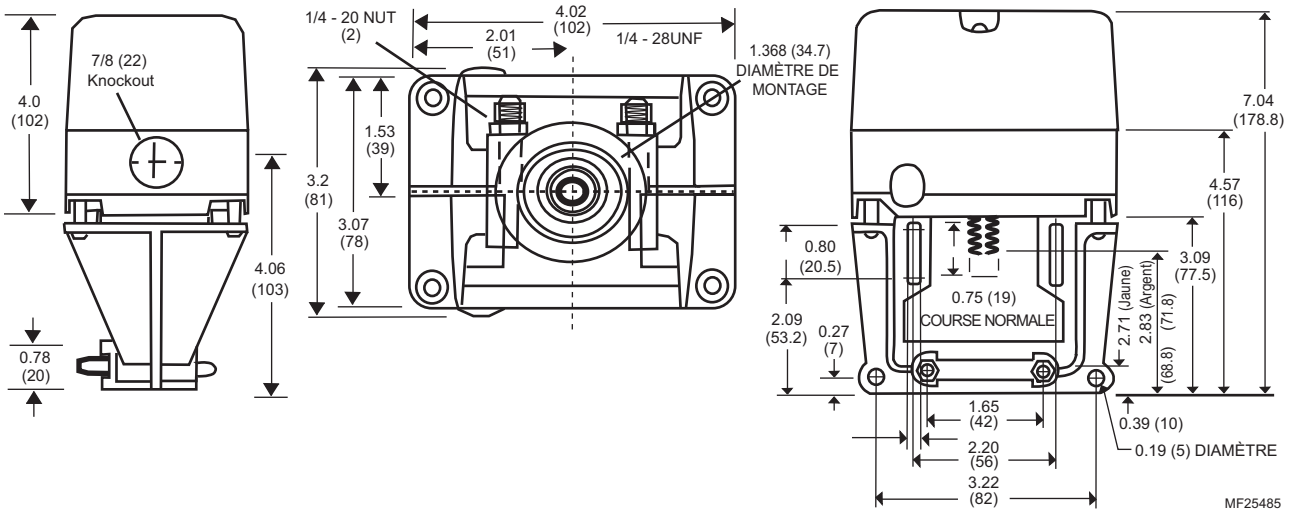


Fig. 1. Dimensions de l'actionneur de vanne ML6984 en po (mm).

INSTALLATION

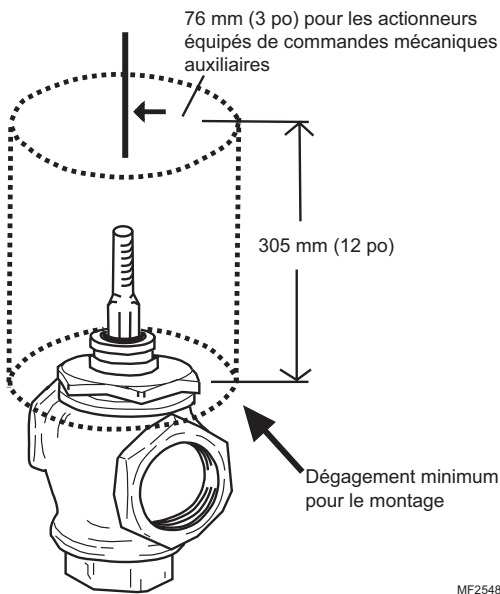


Fig. 2. Dégagement minimum pour le montage.



MISE EN GARDE

Des cycles/repositionnements courts et rapides peuvent entraîner un verrouillage possible de la commande ou une durée de vie réduite du dispositif.

Lors de l'installation du produit...

1. Lire attentivement ces instructions. Le non-respect des instructions peut endommager le produit ou provoquer une situation dangereuse.
2. Vérifier les caractéristiques nominales indiquées dans les instructions et sur le produit, et s'assurer que celui-ci correspond bien à l'application prévue.
3. L'installateur doit être un technicien d'expérience ayant reçu la formation pertinente.
4. Une fois l'installation terminée, vérifier que le produit fonctionne comme indiqué dans ces instructions.
5. NE PAS actionner électriquement l'actionneur avant l'assemblage à la vanne car des dommages non apparents à l'installateur pourraient avoir lieu.

IMPORTANT

Avant l'installation de la vanne, relever et abaisser la tige de la vanne pour s'assurer que celle-ci fonctionne librement. Un mauvais fonctionnement de la tige peut indiquer que celle-ci a été pliée suite à une brusque manipulation. Une telle situation peut nécessiter la réparation ou le remplacement de la vanne.

Protéger la tige contre tout dommage dû à des pliures ou des éraflures. Cela risque d'endommager la garniture de la tige.

Utilisation correcte

Confier l'installation des vannes à du personnel qualifié observant strictement les instructions d'installation et la réglementation locale en vigueur. Honeywell n'assume aucune responsabilité quant aux blessures ou dommages résultant du non-respect des instructions d'installation ou des règles en usage lors du montage, du fonctionnement ou de l'entretien des vannes, même si celles-ci ne sont pas explicitement mentionnées dans les instructions d'installation. Observer toutes les règles de sécurité lors de l'utilisation de systèmes en service vapeur.

Montage

1. S'assurer que le corps de la vanne est installé correctement, les flèches pointées dans le sens de l'écoulement.
2. L'actionneur peut être monté dans n'importe quelle position ; néanmoins il est préférable qu'il soit monté par-dessus le plan horizontal de la tuyauterie. Cela réduit le risque d'endommager l'actionneur en cas de condensation ou en cas de fuite du fouloir de la vanne. Lors de la régulation de la vapeur, faire pivoter le corps de vanne avec l'actionneur à côté de la vanne pour éviter de dépasser les limites de température de l'actionneur. Pour la même raison, ne pas monter les actionneurs ML sur des vannes en service vapeur dans des armoires fermées. Pour la régulation marche-arrêt de la vapeur dans des tuyaux de petite taille, Honeywell recommande des vannes de zone V8043J .

REMARQUE : La classification d'étanchéité NEMA 3R ne s'applique qu'aux actionneurs montés verticalement. Le couvercle a été traité avec des stabilisateurs UV pour les applications à l'extérieur. Les raccords de conduit étanches approuvés pour les emplacements à l'extérieur et humides doivent être utilisés pour assurer la conformité NEMA 3R.

3. Retirer le bouton de tige (Fig. 3) de la tige de vanne.
4. (Facultatif) Enclencher l'indicateur de position rouge (attache métallique) sur la tige de vanne et placer de sorte à obtenir une visibilité optimale (Fig. 3). L'indicateur s'aligne automatiquement sur la marque de l'arcade après un cycle de fonctionnement complet. Il est recommandé de procéder à cette étape une fois l'actionneur installé.

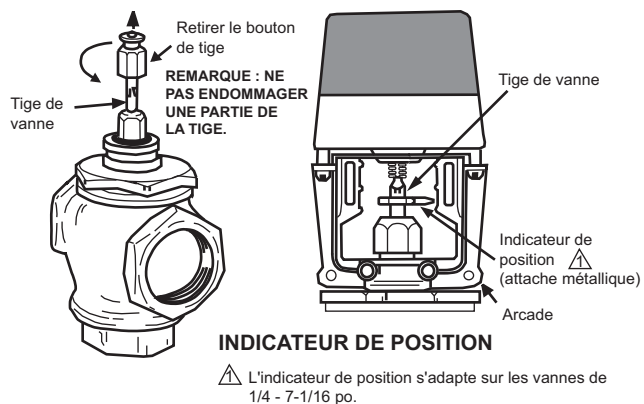


Fig. 3. Préparation pour la vanne.

Montage de l'actionneur MLX984 sur la vanne

1. L'arbre d'entraînement de l'actionneur MLX984 a un trou fileté de 1/4-28 UNF pour l'attaché avec la tige de vanne. Faire glisser l'arcade sur le chapeau de vanne (Fig. 4).
2. Visser à fond l'arbre d'entraînement de l'actionneur MLX984 sur la tige de vanne jusqu'à ce qu'il soit complètement attaché (aucun filetage visible), en tournant l'actionneur de vanne dans le sens horaire, vu de des-

sus. En fonction du corps de vanne, utiliser une broche ou une clé pour empêcher la vanne de tourner. Noter que l'actionneur de vanne est expédié avec l'arbre d'entraînement en position centrale.

3. Utiliser les outils avec prudence sur la tige de vanne lors du serrage (Fig. 4). NE PAS endommager les filets ou d'autres pièces de la tige.
4. Orienter le trou du conduit dans la direction la plus adéquate, puis serrer les ÉCROUS DE BLOCAGE sur l'étrier.
5. Retirer le couvercle en plastique du MLx984 en desserrant les deux vis imperdables situées en haut. Insérer la vis de serrage de type hexagonale (incluse dans le sac en plastique) en haut de l'arbre, côté hexagonal vers le haut.
6. **Serrer la vis de serrage pour bloquer la tige de vanne en position** (Fig. 6), à l'aide d'une clé hexagonale de 1/8 po (incluse).

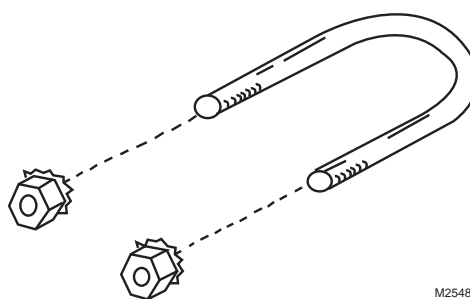


Fig. 4. Étrier.

NOTE: Utiliser l'étrier fourni avec l'actionneur. Ne pas remplacer par un étrier en inox sur des vannes pour eau refroidie. La condensation peut causer la corrosion de l'arcade lorsque des étriers en inox sont utilisés.

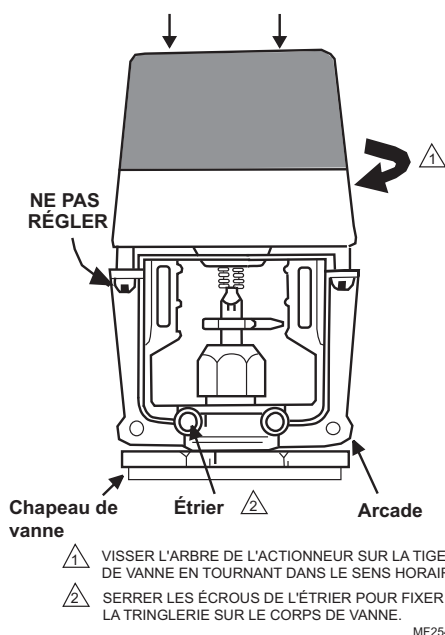


Fig. 5. Montage du MLx984A sur la vanne.

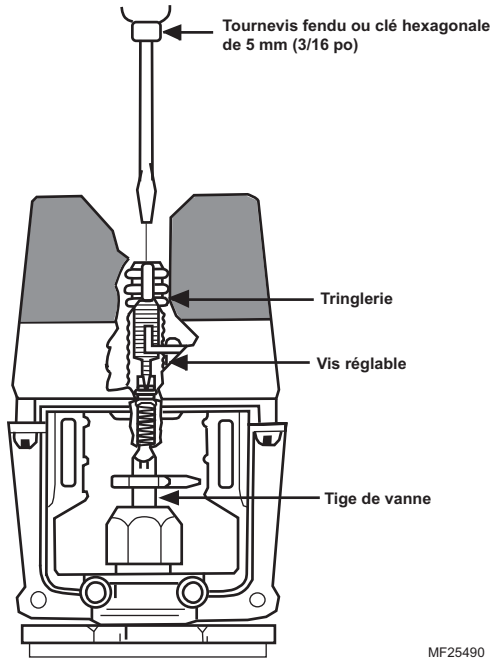


Fig. 6. Verrouillage de l'arbre d'entraînement du MLx984A sur la tige de vanne.

! MISE EN GARDE

Pour un bon fonctionnement de la vanne, la tige de vanne doit être complètement serrée dans l'actionneur (sans filets visibles) et verrouillée en place avec la vis de serrage fournie.

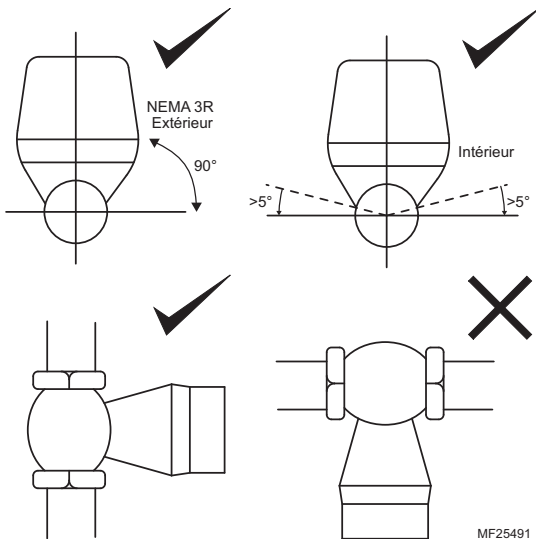


Fig. 7. Positions de montage.

SCHÉMAS DE CÂBLAGE

Les actionneurs MLX984 sont conçus pour fonctionner avec une source d'alimentation de sécurité tension ultra basse de classe II. Un trou de câblage de 22 mm (7/8 po) est fourni pour fixer un conduit flexible aux endroits requis par les codes locaux en vigueur. Lors d'une installation à l'extérieur, utiliser des raccords de conduit étanches approuvés pour des emplacements à l'extérieur et en environnement humide.

! MISE EN GARDE

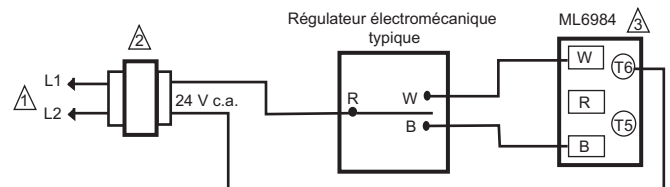
Risque de choc électrique ou de dégât matériel.
Peut causer des chocs électriques et des courts-circuits de l'équipement.

Débrancher l'alimentation vers l'actionneur pour éviter les chocs électriques et les dégâts aux biens, ou retirer et boucher la conduite d'air vers l'actionneur.

REMARQUE : Dans tous les cas, lorsque du câblage d'actionneurs multiples, l'alimentation vers tous les actionneurs doit être connectée suivant une configuration en étoile pour réduire les chutes de tension excessives. NE PAS effectuer de connexion en cascade, c'est-à-dire ne pas alimenter un actionneur puis le brancher à un autre.

Fonctionnement

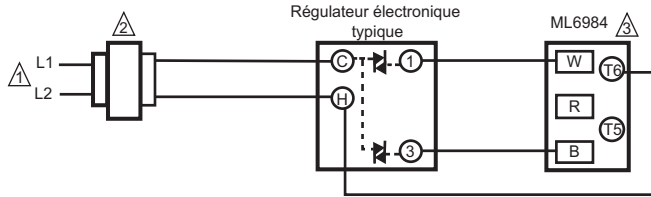
La source d'alimentation de l'actionneur de vanne recommandée est un transformateur de sécurité à tension ultra basse de classe II de 24 V ou une tension régulée de 28 V c.c. sur les bornes T5 et T6. Le circuit interne fournit la tension c.c. pour les circuits de détection électronique et du moteur d'entraînement.



- ⚠ LA SOURCE D'ALIMENTATION ASSURE UNE PROTECTION CONTRE LES SURTENSIONS ET UN MOYEN DE DÉCONNEXION.
- ⚠ ASSURE JUSQU'À 0,5 A POUR CHAQUE APPAREIL. LES ACTIONNEURS ET LE RÉGULATEUR PEUVENT PARTAGER LE MÊME TRANSFORMATEUR, À CONDITION QUE LA TENSION VA DU TRANSFORMATEUR NE SOIT PAS DÉPASSÉE ET QUE LA PHASE SOIT RESPECTÉE. NE PAS MÉLANGER LES SOURCES D'ALIMENTATION C.A. ET C.C.
- ⚠ LE RÉGULATEUR PEUT ÊTRE UN MODÈLE UNIPOLAIRE BIDIRECTIONNEL BASSE TENSION SÉRIE 20 «MARCHE-ARRÊT» OU DE TYPE «FLOTTANT» SÉRIE 60 TRIDIRECTIONNEL. LES BORNES R ET T5 SONT CONNECTÉES DANS LE ML6984.

MF25492

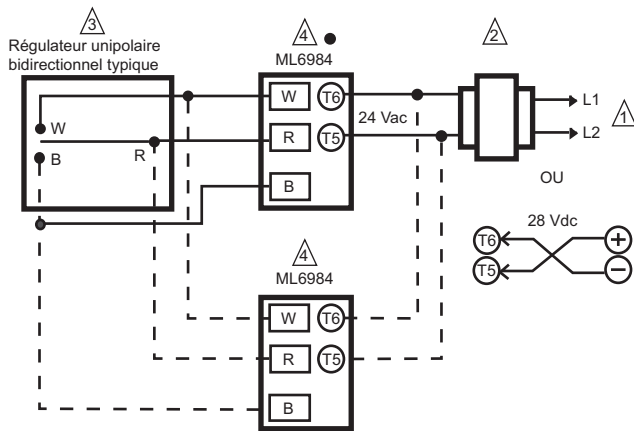
Fig. 8. Régulateur à 3 fils du ML6984 avec régulateur série 60.



- ⚠ LA SOURCE D'ALIMENTATION ASSURE UNE PROTECTION CONTRE LES SURTENSIONS ET UN MOYEN DE DÉCONNEXION.
- ⚠ ASSURE JUSQU'À 0,5 A POUR CHAQUE APPAREIL. LES ACTIONNEURS ET LE RÉGULATEUR PEUVENT PARTAGER LE MÊME TRANSFORMATEUR, À CONDITION QUE LA TENSION NOMINALE DU TRANSFORMATEUR NE SOIT PAS DÉPASSÉE ET QUE LA PHASE CORRECTE SOIT RESPECTÉE. NE PAS MÉLANGER LES SOURCES D'ALIMENTATION C.A. ET C.C.
- ⚠ LE RÉGULATEUR PEUT ÊTRE UN MODÈLE UNIPOLAIRE BIDIRECTIONNEL BASSE TENSION SÉRIE 20 «MARCHE-ARRÊT» OU DE TYPE «FLOTTANT» SÉRIE 60 TRIDIRECTIONNEL. LES BORNES R ET T5 SONT CONNECTÉES DANS LE ML6984.

MF25493

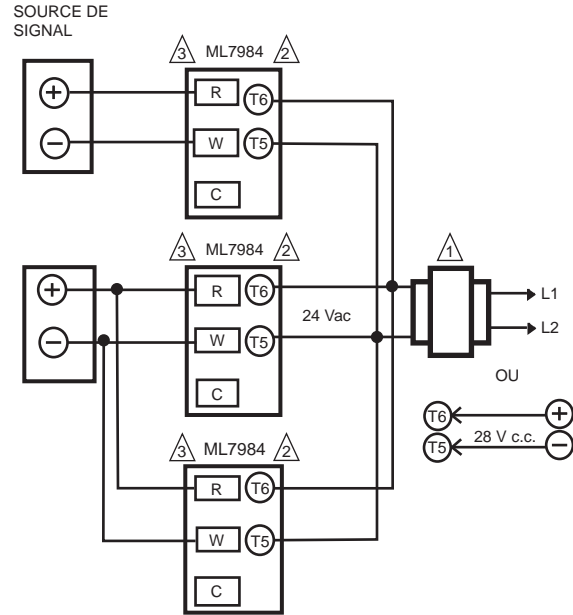
Fig. 9. Régulateur à 3 fils du ML6984 avec régulateur électronique.



- ⚠ LA SOURCE D'ALIMENTATION ASSURE UNE PROTECTION CONTRE LES SURTENSIONS ET UN MOYEN DE DÉCONNEXION.
- ⚠ ASSURE JUSQU'À 0,5 A POUR CHAQUE APPAREIL. LES ACTIONNEURS ET LE RÉGULATEUR PEUVENT PARTAGER LE MÊME TRANSFORMATEUR, À CONDITION QUE LA TENSION NOMINALE DU TRANSFORMATEUR NE SOIT PAS DÉPASSÉE ET QUE LA PHASE CORRECTE SOIT RESPECTÉE. NE PAS MÉLANGER LES SOURCES D'ALIMENTATION C.A. ET C.C.
- ⚠ LE RÉGULATEUR PEUT ÊTRE UN MODÈLE UNIPOLAIRE BIDIRECTIONNEL BASSE TENSION SÉRIE 20 «MARCHE-ARRÊT» OU DE TYPE «FLOTTANT» SÉRIE 60 TRIDIRECTIONNEL. LES BORNES R ET T5 SONT CONNECTÉES DANS LE ML6984.
- ⚠ LES ACTIONNEURS MULTIPLES CONTRÔLÉS PAR UN RÉGULATEUR COMMUN EN PARALLÈLE DOIVENT ÊTRE CÂBLÉS DE FAÇON À CE QUE LEUR COURSE AIT LIEU DANS LA MÊME DIRECTION. LES ACTIONNEURS À ACTION INVERSE NE FONCTIONNENT PAS AVEC FIABILITÉ EN COMBINAISON AVEC LES UNITÉS À ACTION DIRECTE EN RAISON DES TOLÉRANCES DU BOÎTIER D'ENGRENAGES. UTILISER À LA PLACE DES ACTIONNEURS MODULANTS ML7984, DES RÉGULATEURS DÉDIÉS OU DES SORTIES DE RÉGULATEUR SÉPARÉE POUR CHAQUE GROUPE.

MF25494

Fig. 10. Régulateur à 5 fils du ML6984.

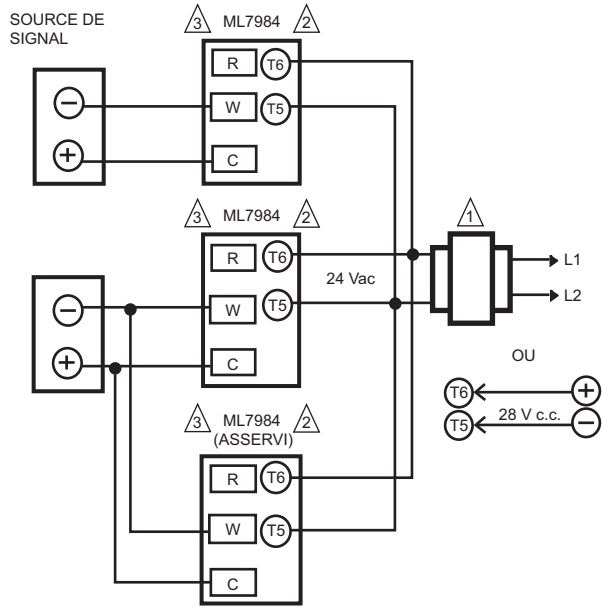


FONCTION	CONFIGURATION DU COMMUTATEUR DIP
1000 2-10 V c.c. action directe	
1010 10-2 V c.c. action inverse	

- ⚠ LA SOURCE D'ALIMENTATION ASSURE UNE PROTECTION CONTRE LES SURTENSIONS ET UN MOYEN DE DÉCONNEXION.
- ⚠ ASSURE JUSQU'À 0,5 A POUR CHAQUE APPAREIL. LES ACTIONNEURS ET LE RÉGULATEUR PEUVENT PARTAGER LE MÊME TRANSFORMATEUR, À CONDITION QUE LA TENSION NOMINALE DU TRANSFORMATEUR NE SOIT PAS DÉPASSÉE ET QUE LA PHASE CORRECTE SOIT RESPECTÉE. NE PAS MÉLANGER LES SOURCES D'ALIMENTATION C.A. ET C.C.
- ⚠ SUR LE ML7984, LES BORNES T5 ET W SONT CONNECTÉES DE FAÇON INTERNE. L'APPAREIL EST COMPATIBLE AVEC LE CÂBLAGE 3 CONDUCTEURS.
- ⚠ UTILISER LES COMMUTATEURS DIP DE CONFIGURATION POUR SÉLECTIONNER LES FONCTIONS DE L'APPAREIL : FONCTION ACTION DIRECTE (LA TIGE DE L'ACTIONNEUR SE DIRIGE VERS LE BAS LORSQUE LE SIGNAL AUGMENTE À 10 V/20 MA) OU FONCTION ACTION INVERSE (LA TIGE DE L'ACTIONNEUR SE DÉPLACE VERS LE HAUT LORSQUE LE SIGNAL AUGMENTE À 10 V/20 MA).
- ⚠ TOUJOURS COUPER L'ALIMENTATION AVANT DE CONFIGURER TOUT COMMUTATEUR DIP.

MF25495

Fig. 11. Câblage ML7984 avec signal de commande analogique 10 V c.c.

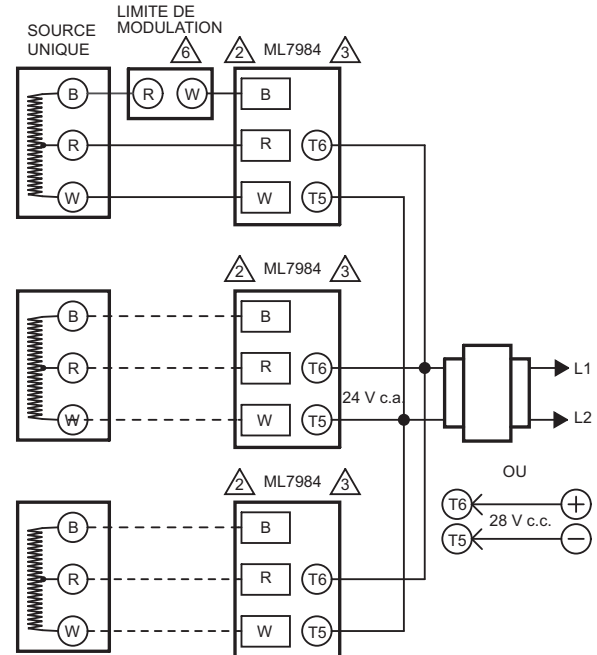


FONCTION	CONFIGURATION DU COMMUTATEUR DIP																		
X000 4-20 mA à action directe	<table border="1"> <tr> <td>●</td> <td>●</td> <td>●</td> <td>●</td> <td>●</td> <td>Marche (1)</td> </tr> <tr> <td>▼</td> <td>▲</td> <td>▼</td> <td>▲</td> <td>▼</td> <td>Arrêt (0)</td> </tr> <tr> <td>1</td> <td>2</td> <td>3</td> <td>4</td> <td></td> <td></td> </tr> </table>	●	●	●	●	●	Marche (1)	▼	▲	▼	▲	▼	Arrêt (0)	1	2	3	4		
●	●	●	●	●	Marche (1)														
▼	▲	▼	▲	▼	Arrêt (0)														
1	2	3	4																
X010 20-4 mA à action inverse	<table border="1"> <tr> <td>●</td> <td>●</td> <td>●</td> <td>●</td> <td>●</td> <td>Marche (1)</td> </tr> <tr> <td>▼</td> <td>▲</td> <td>▼</td> <td>▲</td> <td>▼</td> <td>Arrêt (0)</td> </tr> <tr> <td>1</td> <td>2</td> <td>3</td> <td>4</td> <td></td> <td></td> </tr> </table>	●	●	●	●	●	Marche (1)	▼	▲	▼	▲	▼	Arrêt (0)	1	2	3	4		
●	●	●	●	●	Marche (1)														
▼	▲	▼	▲	▼	Arrêt (0)														
1	2	3	4																

- ⚠ LA SOURCE D'ALIMENTATION ASSURE UNE PROTECTION CONTRE LES SURTENSIONS ET UN MOYEN DE DÉCONNEXION.
- ⚠ ASSURE JUSQU'À 0,5 A POUR CHAQUE APPAREIL. LES ACTIONNEURS ET LE RÉGULATEUR PEUVENT PARTAGER LE MÊME TRANSFORMATEUR, À CONDITION QUE LA TENSION NOMINALE DU TRANSFORMATEUR NE SOIT PAS DÉPASSÉE ET QUE LA PHASE CORRECTE SOIT RESPECTÉE. NE PAS MÉLANGER LES SOURCES D'ALIMENTATION C.A. ET C.C.
- ⚠ SUR LE ML7984, LES BORNES T5 ET W SONT CONNECTÉES DE FAÇON INTERNE. L'APPAREIL EST COMPATIBLE AVEC LE CÂBLAGE 3 CONDUCTEURS.
- ⚠ UTILISER LES COMMUTATEURS DIP DE CONFIGURATION POUR SÉLECTIONNER LES FONCTIONS DE L'APPAREIL : FONCTION ACTION DIRECTE (LA TIGE DE L'ACTIONNEUR SE DIRIGE VERS LE BAS LORSQUE LE SIGNAL AUGMENTE À 10 V/20 MA) OU FONCTION ACTION INVERSE (LA TIGE DE L'ACTIONNEUR SE DÉPLACE VERS LE HAUT LORSQUE LE SIGNAL AUGMENTE À 10 V/20 MA).
- ⚠ TOUJOURS COUPER L'ALIMENTATION AVANT DE CONFIGURER TOUT COMMUTATEUR DIP.

Fig. 12. Câblage ML7984 avec signal de commande analogique 20 mA.

MF25496



FONCTION	CONFIGURATION DU COMMUTATEUR DIP															
1001 Série mécanique 90 Action directe	<table border="1"> <tr> <td>▲</td> <td>▼</td> <td>▼</td> <td>▲</td> <td>Marche (1)</td> </tr> <tr> <td>▲</td> <td>▼</td> <td>▼</td> <td>▲</td> <td>Arrêt (0)</td> </tr> <tr> <td>1</td> <td>2</td> <td>3</td> <td>4</td> <td></td> </tr> </table>	▲	▼	▼	▲	Marche (1)	▲	▼	▼	▲	Arrêt (0)	1	2	3	4	
▲	▼	▼	▲	Marche (1)												
▲	▼	▼	▲	Arrêt (0)												
1	2	3	4													
1011 Série mécanique 90 Action inverse	<table border="1"> <tr> <td>▲</td> <td>▼</td> <td>▲</td> <td>▲</td> <td>Marche (1)</td> </tr> <tr> <td>▲</td> <td>▼</td> <td>▲</td> <td>▲</td> <td>Arrêt (0)</td> </tr> <tr> <td>1</td> <td>2</td> <td>3</td> <td>4</td> <td></td> </tr> </table>	▲	▼	▲	▲	Marche (1)	▲	▼	▲	▲	Arrêt (0)	1	2	3	4	
▲	▼	▲	▲	Marche (1)												
▲	▼	▲	▲	Arrêt (0)												
1	2	3	4													

- ⚠ LA SOURCE D'ALIMENTATION ASSURE UNE PROTECTION CONTRE LES SURTENSIONS ET UN MOYEN DE DÉCONNEXION.
- ⚠ ASSURE JUSQU'À 0,5 A POUR CHAQUE APPAREIL. LES ACTIONNEURS ET LE RÉGULATEUR PEUVENT PARTAGER LE MÊME TRANSFORMATEUR, À CONDITION QUE LA TENSION NOMINALE DU TRANSFORMATEUR NE SOIT PAS DÉPASSÉE ET QUE LA PHASE CORRECTE SOIT RESPECTÉE. NE PAS MÉLANGER LES SOURCES D'ALIMENTATION C.A. ET C.C.
- ⚠ NE PAS MÉLANGER LES MOTEURS M984/6 OU MODUTROL AVEC LE ML7984 DANS LE MÊME CIRCUIT.
- ⚠ UTILISER LES COMMUTATEURS DIP DE CONFIGURATION POUR SÉLECTIONNER LES FONCTIONS DE L'APPAREIL : FONCTION ACTION DIRECTE (LA TIGE DE L'ACTIONNEUR SE DIRIGE VERS LE HAUT LORSQUE LE SIGNAL AUGMENTE) OU FONCTION ACTION INVERSE (LA TIGE DE L'ACTIONNEUR SE DÉPLACE VERS LE BAS LORSQUE LE SIGNAL AUGMENTE).
- ⚠ COUPER L'ALIMENTATION AVANT DE CONFIGURER TOUT COMMUTATEUR DIP. POUR UN APPLICATION AVEC TRANSFORMATEUR COMMUN ET RÉGULATEUR COMMUN, S'IL VOUS PLAÎT CONSULTER L'USINE.
- ⚠ RÉSISTANCE MAX. PAR CIRCUIT DE RÉGULATEUR DE 280 OHMS.

MF25497

Fig. 13. Câblage du ML7984 avec transformateur commun et régulateurs individuels.

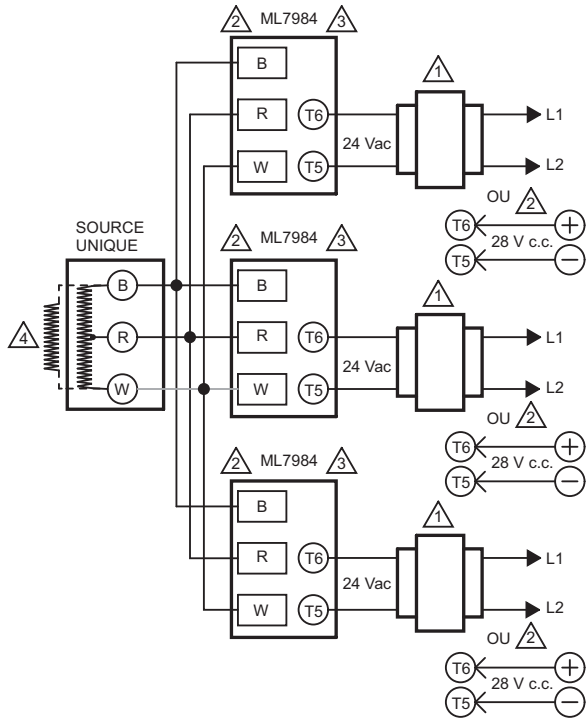
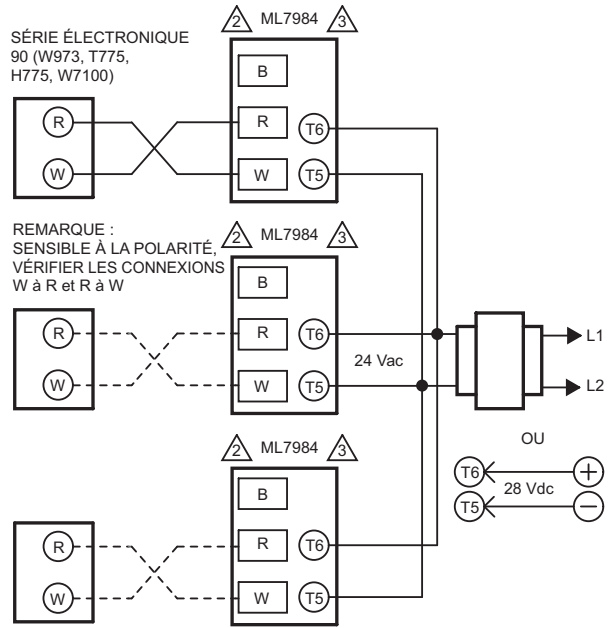


TABLEAU DE SÉLECTION DES RÉSISTANCES ⁴		
NBRE D'ACTIONNEURS	VALEUR DE RÉSISTANCE	
1	RÉSISTANCE NON REQUISE.	TOUTES LES RÉSISTANCES
2	133 OHMS	1/4 W
3	68.1 OHMS	1% FILM MÉTALLIQUE
4	45.3 OHMS	

- ¹ LA SOURCE D'ALIMENTATION ASSURE UNE PROTECTION CONTRE LES SURTENSIONS ET UN MOYEN DE DÉCONNEXION.
- ² ASSURE JUSQU'À 0,5 A POUR CHAQUE APPAREIL. LES ACTIONNEURS ET LE RÉGULATEUR PEUVENT PARTAGER LE MÊME TRANSFORMATEUR, À CONDITION QUE LA TENSION NOMINALE DU TRANSFORMATEUR NE SOIT PAS DÉPASSÉE ET QUE LA PHASE CORRECTE SOIT RESPECTÉE. NE PAS MÉLANGER LES SOURCES D'ALIMENTATION C.A. ET C.C.
- ³ NE PAS MÉLANGER LES MOTEURS M984/6 OU MODUTROL AVEC LE ML7984 DANS LE MÊME CIRCUIT.
- ⁴ UTILISER LE NÉCESSAIRE DE RÉSISTANCES N° 272822.

MF25498

Fig. 14. ML7984 avec transformateurs communs et régulateur individuel

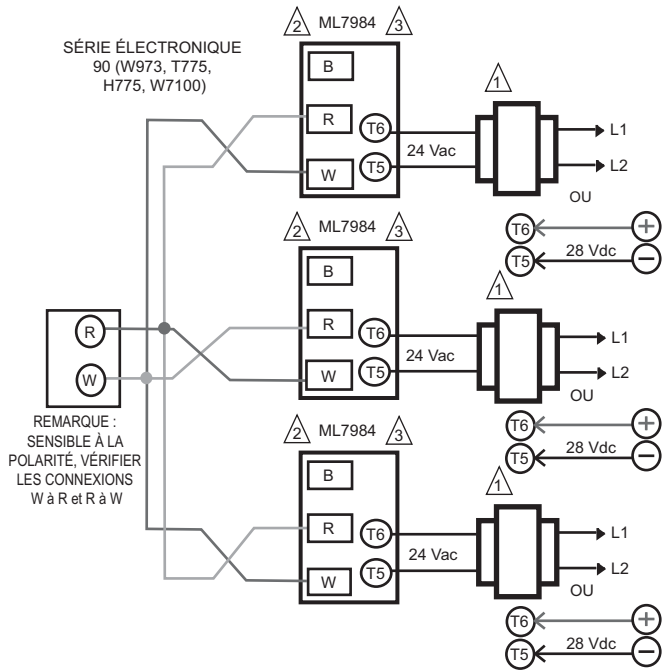


FONCTION	CONFIGURATION DU COMMUTATEUR DIP
1101 Série électronique 90 Action directe	<p>Marche (1) Arrêt (0)</p>
1111 Série électronique 90 Action inverse	<p>Marche (1) Arrêt (0)</p>

- ¹ LA SOURCE D'ALIMENTATION ASSURE UNE PROTECTION CONTRE LES SURTENSIONS ET UN MOYEN DE DÉCONNEXION.
- ² ASSURE JUSQU'À 0,5 A POUR CHAQUE APPAREIL. LES ACTIONNEURS ET LE RÉGULATEUR PEUVENT PARTAGER LE MÊME TRANSFORMATEUR, À CONDITION QUE LA TENSION NOMINALE DU TRANSFORMATEUR NE SOIT PAS DÉPASSÉE ET QUE LA PHASE CORRECTE SOIT RESPECTÉE. NE PAS MÉLANGER LES SOURCES D'ALIMENTATION C.A. ET C.C.
- ³ NE PAS MÉLANGER LES MOTEURS M984/6 OU MODUTROL AVEC LE ML7984 DANS LE MÊME CIRCUIT.
- ⁴ UTILISER LES COMMUTATEURS DIP DE CONFIGURATION POUR SÉLECTIONNER LES FONCTIONS DE L'APPAREIL : FONCTION ACTION DIRECTE (LA TIGE D'ACTIONNEUR SE DÉPLACE VERS LE HAUT AVEC UNE AUGMENTATION DU SIGNAL À 10 V/20 MA) OU FONCTION ACTION INVERSE (LA TIGE DE L'ACTIONNEUR SE DÉPLACE VERS LE BAS AVEC UNE AUGMENTATION DU SIGNAL À 10 V/20 MA).
- ⁵ COUPER L'ALIMENTATION AVANT DE CONFIGURER TOUT COMMUTATEUR DIP.

MF25499

Fig. 15. ML7984 avec transformateur commun et régulateurs individuels.



FUNCTION	DIP SWITCH CONFIGURATION
1101 Série électronique 90 Action directe	 Marche (1) Arrêt (0)
1111 Série électronique 90 Action inverse	 Marche (1) Arrêt (0)

- ⚠ LA SOURCE D'ALIMENTATION ASSURE UNE PROTECTION CONTRE LES SURTENSIONS ET UN MOYEN DE DÉCONNEXION.
- ⚠ ASSURE JUSQU'À 0,5 A POUR CHAQUE APPAREIL. LES ACTIONNEURS ET LE RÉGULATEUR PEUVENT PARTAGER LE MÊME TRANSFORMATEUR, À CONDITION QUE LA TENSION NOMINALE DU TRANSFORMATEUR NE SOIT PAS DÉPASSÉE ET QUE LA PHASE CORRECTE SOIT RESPECTÉE. NE PAS MÉLANGER LES SOURCES D'ALIMENTATION C.A. ET C.C.
- ⚠ NE PAS MÉLANGER LES MOTEURS M984/6 OU MODUTROL AVEC LE ML7984 DANS LE MÊME CIRCUIT.
- ⚠ UTILISER LES COMMUTATEURS DIP DE CONFIGURATION POUR SÉLECTIONNER LES FONCTIONS DE L'APPAREIL : FONCTION ACTION DIRECTE (LA TIGE D'ACTIONNEUR SE DÉPLACE VERS LE HAUT AVEC UNE AUGMENTATION DU SIGNAL À 10 V/20 MA) OU FONCTION ACTION INVERSE (LA TIGE DE L'ACTIONNEUR SE DÉPLACE VERS LE BAS AVEC UNE AUGMENTATION DU SIGNAL À 10 V/20 MA).
- ⚠ COUPER L'ALIMENTATION AVANT DE CONFIGURER TOUT COMMUTATEUR DIP.

MF25500

Fig. 16. ML7984 avec transformateurs communs et régulateur individuel.

FONCTIONNEMENT

À chaque fois que les bornes T5 et T6 de l'actionneur sont (de nouveau) énergisées, le microprocesseur actionne la vanne sur toute sa course pour étalonner sa position. Toute course entre 13 et 25 mm (1/2 et 1 po) sera divisée en 30 incréments égaux. La durée de fonctionnement est proportionnelle à la longueur de la course et à la tension de l'alimentation. L'actionneur ralentira également tandis que la vanne ferme le siège. Le voyant DEL s'allume lorsque les bornes T5 et T6

sont alimentées, et clignote lorsque l'actionneur se déplace. La borne T5 est connectée à la borne sur le modèle ML6984 et à la borne W sur le modèle ML7984.

NOTE: L'étalonnage initial ne s'applique pas au ML6984 installé pour un régulateur à 3 fils ou installé pour un régulateur à 5 fils sans le module de rétroaction de position/interrupteur auxiliaire 272630D. L'échelle et les positions de démarrage doivent être réglées durant le réglage du régulateur. Voir le fonctionnement du ML6984 à trois fils, ci-dessous. Le ML7984 procède toujours à une séquence d'auto-étalonnage lors de la (re)mise sous tension.

Fonctionnement du ML7984

Le microprocesseur répond au signal des bornes d'entrée selon la configuration des commutateurs DIP.

Lorsque la connexion à l'actionneur est correcte, un signal de commande entre les bornes d'entrée du signal est converti en une durée de fonctionnement numérique et comparée à des comptes d'impulsions du premier engrenage dans le train d'engrenages. Lorsque ces compteurs sont égaux, le moteur d'entraînement et l'arbre d'entraînement sont immobiles.

Tant que la valeur du média contrôlé reste au point de consigne du régulateur, le circuit bouclé du régulateur est équilibré et l'actionneur ne fonctionne pas. Lorsque le point de consigne du contrôleur ou la température contrôlée changent, la tension de sortie du contrôleur est modifiée, ce qui cause une différence au niveau des compteurs. Au fur et à mesure que l'actionneur se déplace pour corriger la différence, les compteurs augmentent ou diminuent et arrêtent l'actionneur lorsque les valeurs d'entrée et d'engrenages sont égales.

À la fin de la course de la vanne, l'actionneur développe la force nécessaire pour une fermeture positive de la vanne. Le moteur s'arrête automatiquement lorsque le moteur appelle un courant prédéterminé correspondant à un niveau de force. Les compteurs numériques sont réinitialisés et étalonnés à la fin de chaque course.

Les actionneurs modulant se déplacent automatiquement à la position correspondant au signal d'entrée analogique en fonction du cycle d'auto-étalonnage.



MISE EN GARDE

Débrancher l'alimentation électrique avant de commencer l'installation pour prévenir des chocs électriques ou des dommages matériels.

Tout le câblage doit être conforme aux codes d'électricité, aux lois et aux règlements locaux en vigueur.

S'assurer que la tension et la fréquence de l'alimentation correspondent aux caractéristiques nominales de l'appareil.

NE PAS actionner électriquement l'actionneur MLx984 avant l'assemblage à la vanne car des dommages non apparents à l'installateur pourraient avoir lieu.

NE PAS connecter 24 v c.a. entre aucune borne d'entrée de signal ML7984. CECI ENTRAÎNERAIT UNE PANNE DE L'APPAREIL.

REMARQUE :

1. Le ML7984 doit être configuré sur site avec les commutateurs DIP situés près du bornier. Voir les schémas de câblage pour les détails. Couper l'alimentation avant de configurer tout commutateur DIP.
2. La réponse de l'actionneur est donnée avec un délai de 1,5 s à chaque changement de signal. Ceci a lieu pour exclure le bruit électrique.
3. Pour un bon fonctionnement, la tension sur la borne T5 et T6 ne doit pas être inférieure à 22 V c.a. ou 24 V c.c. durant le fonctionnement ou les étapes de génération de force. Augmenter la tension VA du transformateur ou utiliser un modèle avec une meilleure régulation si la tension tombe en deçà de 22 V c.a. lorsque la vanne se ferme.

ML6984 flottant, 5 fils

Le moteur est contrôlé par un microprocesseur. La connexion de B à R pour 1/10 seconde ou plus indique au microprocesseur de faire passer l'actionneur en position supérieure. La connexion de W à R met l'actionneur en position inférieure. Pour le régulateur flottant, l'actionneur reste à la dernière position lorsqu'il n'y a pas de connexion à R.

À la fin de la course de la vanne, l'actionneur développe la force nécessaire pour une fermeture positive de la vanne. Au fur et à mesure que les forces sont développées, le courant vers le moteur augmente. Le microprocesseur arrête l'actionneur automatiquement lorsque le courant et la force du moteur atteignent le niveau étalonné en usine.

NOTE: Il doit y avoir un délai d'au moins 1,5 s entre les signaux d'entrée flottants successifs. L'actionneur ignore les signaux flottants durant le cycle d'étalonnage et ne se souvient d'aucune impulsion envoyée durant cette période. Le régulateur peut nécessiter de passer par la totalité de son cycle d'étalonnage avant d'être utilisé.

Fonctionnement du ML6984, 3 fils

Le ML6984 peut être installé comme un actionneur flottant conventionnel (non électronique). Le circuit électronique de l'interface est alimenté en même temps que le moteur. Les impulsions doivent être d'au moins 100 ms de long avec un délai d'au moins 1500 ms entre les impulsions. Lorsque le ML6984 n'est pas alimenté entre les bornes T6 et T5/R, l'étalonnage automatique n'a pas lieu. Le contrôleur doit faire passer la valve par son cycle manuellement pour étalonner la course au régulateur.

NOTE: Le module de rétroaction de position/interrupteur auxiliaire 272630D ne peut pas être utilisé avec l'installation à trois fils du ML6984. Le 272630D nécessite d'être alimenté en continu.

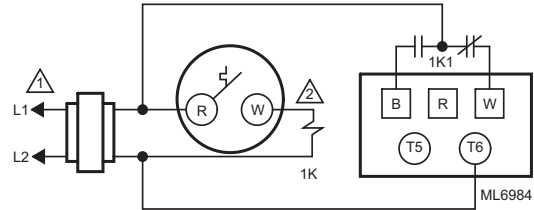
**Régulateur ML6984 XL10
Compatibilité**

Les régulateurs XL10 sont conçus pour fonctionner avec des actionneurs à vitesse constante. Les actionneurs ML6984 utilisent des moteurs à courant direct qui varient leur vitesse lorsque la vanne se ferme ou si la tension de l'alimentation n'est pas constante. Les actionneurs ML6984 en mode à 5 fils offrent 30 positions distinctes uniquement. Pour minimiser le

risque de dérive de position de la vanne, les régulateurs XL10 doivent utiliser une installation à 3 fils et être programmés pour un cycle d'exercice de vanne quotidien.

Fonctionnement marche-arrêt du ML6984

Pour un fonctionnement marche-arrêt, le ML6984 nécessite un contact unipolaire bidirectionnel de 24 V c.a. Un relais d'interface tel que le RA889 est requis pour alimenter l'anticipateur de chaleur d'un thermostat électromécanique, tel que le T87F (voir la fig. 17).

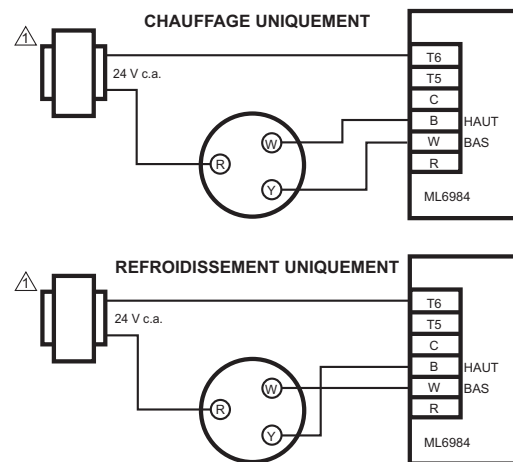


- 1 ALIMENTATION. ASSURE AU BESOIN UN DISPOSITIF DE COUPURE ET UNE PROTECTION CONTRE LES SURCHARGES.
 - 2 RÉGLER L'ANTICIPATEUR DE CHALEUR EN FONCTION DE L'APPEL DE COURANT DU RELAIS 1K. NE PAS ACHEMINER LES CONTACTS DES RELAIS PAR LE THERMOSTAT.
- MF25501

Fig. 17. ML6984 avec thermostat Honeywell T87F Round™.

Si le ML6984 est directement connecté à un T87F avec plaque de raccordement série 20, couper la résistance de l'anticipateur de refroidissement sur la plaque de raccordement entre les bornes Rc et Y. Ceci est requis pour la compatibilité électrique avec le ML6984 mais peut entraîner des variations de température plus importantes en raison de la perte de l'anticipation.

REMARQUES RELATIVES AU REMPLACEMENT



- 1 TRANSFORMATEUR DE CLASSE 2. ASSURE AU BESOIN UN DISPOSITIF DE COUPURE ET UNE PROTECTION CONTRE LES SURCHARGES.
- MF25502

Fig. 18. ML6984 avec thermostat Honeywell T87K Round™.

Voir la Fig. 19, si les thermostats TH5110D ou TH6110D FocusPRO™ sont connectés au ML6984. Configurer les thermostats pour un fonctionnement avec les modèles série 20.

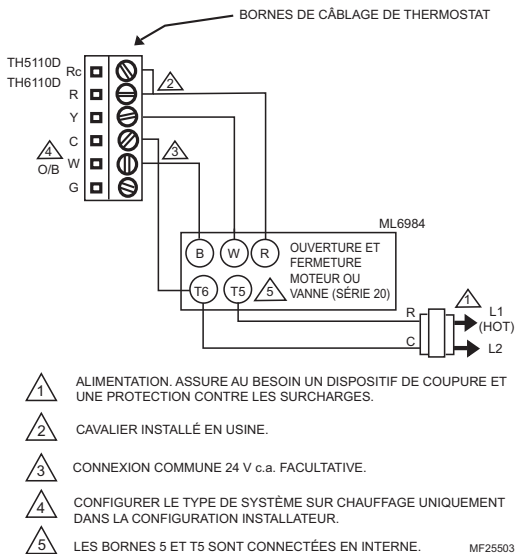


Fig. 19. ML6984 avec thermostat électronique FocusPro™.

Pour remplacer le ML784 ou le ML984

- Les anciens actionneurs ML784 ou ML984 ne peuvent pas être utilisés avec les nouveaux actionneurs de vanne ML7984 dans le même circuit, à moins que les anciens modèles ne soient alimentés par leur propre transformateur pour éviter les interférences.
- Le ML7984 est un remplacement direct de tous les anciens ML784 et ML984, sauf:
 - Lors du remplacement des modèles à action inverse, les fils d'entrée de signaux vers les nouveaux dispositifs ne nécessitent plus d'être inversés. Il suffit de suivre les désignations de polarité des bornes et les réglages des commutateurs DIP.
 - Lors du remplacement d'un ancien actionneur équipé d'un régulateur Supermod série 90 - par exemple : T775, W973, H775 ou W7100 - la résistance de l'interface ancienne doit être retirée. Le ML7984 série 4000 fonctionne directement avec le régulateur sans résistance externe de 240 ohms.
 - Lors du remplacement de l'ancien ML784 (modèle mA) dans des installations à actionneurs multiples, un ou plusieurs résistances seront requises. Utiliser le nécessaire de résistances (réf. 272822) et régler les commutateurs DIP en conséquence. Voir les figures 17 et 18.

Pour remplacer le ML684A

- Le nouveau ML6984 est un remplacement direct de l'ancien ML684A pour une configuration à simple actionneur ou à plusieurs actionneurs en parallèle. Les anciens et nouveaux actionneurs peuvent être mélangés dans le même circuit électrique. Pour les actionneurs multiples contrôlés par un régulateur commun en parallèle, ces actionneurs doivent être câblés de façon à ce qu'ils se déplacent tous dans la même direction.

- Lors du remplacement du ML684A1009 (80 lbf) par le ML6984 neuf sur la vanne V5045, l'adaptateur de vanne installé (réf. 272629A) sur la tige de vanne et l'actionneur est encore requis.

REMARQUE : Le module de rétroaction de position/interrupteur auxiliaire 272630D ne peut pas être utilisé avec l'installation à trois fils du ML6984. Le 272630D nécessite d'être alimenté en continu.

Pour remplacer le ML6874

- Le ML6984 est un remplacement direct de l'ancien ML6874 dans une configuration à un seul actionneur.
- Pour des applications à plusieurs actionneurs ML6874 en parallèle, un relais d'isolation doit être utilisé. Les contacts du relais d'isolation doivent être placés dans le circuit W et B d'entrée de signal de l'actionneur ML6984 neuf.

Pour remplacer les interrupteurs auxiliaires de tension secteur

Ces accessoires ne sont plus disponibles. Remplacer l'ancien actionneur par un nouveau modèle et le module de rétroaction de position/interrupteur auxiliaire 272630D.

Actionner un relais externe, tel que le R8845U, à l'aide de la sortie pilote unipolaire bidirectionnelle réglable sur le 272630D.

Si un deuxième interrupteur de sortie indépendant est requis, câbler le signal de rétroaction de position 2-10 V c.c. à un relais à tension contrôlée réglable approuvé.

VÉRIFICATION

ML7984

- S'assurer que la tige de la vanne est complètement vissée dans l'arbre d'entraînement de l'actionneur sans qu'aucun filet ne soit visible avant de mettre sous tension.
- S'assurer que la tige de la vanne est verrouillée en place avec la vis de serrage.
- S'assurer que les commutateurs DIP de configuration sont correctement réglés.
- Avec une source d'alimentation de 24 V c.a. ou 28 V c.c. branchée aux bornes T5 et T6, le fonctionnement de l'actionneur peut être vérifié en connectant le signal de commande approprié (série 70/90) du contrôleur aux bornes d'entrée de signal (Figures 8 à 16). Pour l'action directe : Une action modulante peut être obtenue en augmentant le signal de commande. L'actionneur se déplace de bas en haut de la tige. En cas de panne du signal (déconnecté/pas de signal), l'actionneur se met par défaut en position fermée. Actionneur du bas de la tige au haut de la tige. En cas de panne du signal (déconnecté/pas de signal), l'actionneur se met par défaut en position ouverte.
- Actionner le système (vanne, actionneur et régulateur) sur plusieurs cycles pour vérifier si l'installation est correcte.
- Une fois la vérification terminée, remettre le régulateur au réglage désiré.

REMARQUE :

1. L'appareil ignore tout changement au niveau de l'entrée jusqu'à ce qu'il ait terminé le repositionnement relativement à l'entrée du signal initial.
2. Le module de rétroaction de position/d'interrupteur auxiliaire 272630D est inactif durant l'étalonnage automatique.

6. Pour la fonction flottement, ouvrir la connexion R. La tige de vanne doit rester immobile.
7. Refaire le câblage.
8. Actionner le système (vanne, actionneur et régulateur) sur plusieurs cycles pour vérifier si l'installation est correcte.
9. Une fois la vérification terminée, remettre le régulateur au réglage désiré.

ML6984: Installation à 5 fils

1. S'assurer que la tige de la vanne est complètement vissée dans l'arbre d'entraînement de l'actionneur sans qu'aucun filet ne soit visible avant de mettre sous tension.
2. S'assurer que la tige de la vanne est verrouillée en place avec la vis de serrage.
3. Brancher l'alimentation de 24 V c.a. ou 28 V c.c. sur les bornes T5 et T6.
4. Cavaliers R et B. La tige de la vanne doit se déplacer vers le haut.
5. Cavaliers R et W. La tige de la vanne doit se déplacer vers le bas.

ML6984: Installation à 3 fils

1. S'assurer que la tige de la vanne est complètement vissée dans l'arbre d'entraînement de l'actionneur sans qu'aucun filet ne soit visible avant de mettre sous tension.
2. S'assurer que la tige de la vanne est verrouillée en place avec la vis de serrage.
3. Relier l'alimentation de 24 V c.a. à la borne T6.
4. Forcer manuellement la fonction du contrôleur pour qu'il signale à l'actionneur de se fermer/s'ouvrir sur plusieurs cycles pour garantir que l'installation soit correcte.
5. Une fois la vérification terminée, remettre le régulateur au réglage désiré.

DÉPANNAGE

Symptôme	Causes possibles	Actions
Le siège de la vanne fuit ou ne s'ouvre pas correctement	L'actionneur utilisé est incorrect et/ou la pression principale du système est trop haute	1) Vérifier que la pression de la vanne à la fermeture corresponde aux caractéristiques 2) Vérifier la tension aux bornes de l'actionneur
	L'actionneur est mal installé	S'assurer que la tige de la vanne est complètement vissée dans l'arbre d'entraînement en laiton et verrouillée en position avec la vis de blocage
	Réglages des commutateurs DIP incorrects	Consulter la notice d'instruction des produits
Moteur bruyant	Défaillance du roulement dû à une surchauffe	1) Vérifier que la température est correcte et/ou remplacer l'actionneur au complet 2) Utiliser le nécessaire d'accessoires haute température (43196000-001)
	Les brosses sont usées	Vérifier les cycles trop fréquents et remplacer l'actionneur
Surchauffe du moteur/fumée/composant brûlé.	Défaillance du circuit de détection du courant ou des composants électroniques	Remplacer l'actionneur. S'assurer que: 1) Actionneur correct utilisé 2) Installé correctement 3) Ne pas faire fonctionner l'actionneur avant de l'avoir monté sur l'arrivée de la vanne 4) Tension d'alimentation correcte
ML ne répond pas	Voyant DEL (allumé):	
	Réglages des commutateurs DIP incorrects	Consulter la notice d'instruction des produits
	Aucun signal de contrôle	Vérifier le contrôleur
	Raccordements de câblage incorrects	Consulter la notice d'instruction des produits
	Temporisateur interne	Autoriser un temps de réponse du ML d'au moins 1/2 - 1 seconde
	Voyant DEL (éteint):	
	Alimentation faible ou pas d'alimentation	Vérifier la tension sur les bornes T5 et T6
	Mode erreur (boîtier d'engrenages endommagé)	1) Vérifier l'alimentation 2) Vérifier le cycle d'étalonnage 3) Course de la vanne inférieure à 1/2 po ou supérieure à 1-1/4 po 4) Réinitialiser l'appareil à l'aide d'un sectionneur d'alimentation à rappel aux terminaux T5 et T6

Symptôme	Causes possibles	Actions
Chute du signal Vc.c./mA lors de la connexion au ML	ML7984 en mode mA à la tension d'entrée	Modifier le réglage de l'interrupteur DIP
	Dégradation du signal due à une incompatibilité de l'impédance de charge	Spécifications de sortie et de l'impédance d'entrée du ML
L'arcade de l'actionneur est corrodée	Réaction galvanique (métaux différents utilisés) si un étrier en inox est utilisé avec une arcade en aluminium	Remplacer l'étrier avec un étrier et des écrous galvanisés
La position Flottement de l'actionneur " dérive " lorsque ce dernier est utilisé avec un système d'automatisation de bâtiment.	Écart entre la résolution de l'actionneur (30 étapes) et le contrôleur du système d'automatisation de bâtiment	1) Lire la position de la vanne à l'aide du module de rétroaction 272630D 2) Recâbler l'actionneur pour une régulation trifilaire 3) Programmer la remise à zéro quotidienne de la vanne.

SPÉCIFICATIONS TYPIQUES

Les actionneurs de vanne doivent être montés directement sur le chapeau de la vanne, autonomes et auto-réglables.

Les actionneurs de vanne à accouplement direct doivent être alimentés en 24 V c.a. ou 28 V c.c. et être disponibles avec des entrées de signal de commande à action flottante ou modulante. L'actionneur doit être utilisable avec une source d'alimentation commune à plusieurs actionneurs et régulateurs.

Le nécessaire d'interrupteur auxiliaire de service pilote /de tension de rétroaction de position, l'adaptateur de montage, les nécessaires haute température et les nécessaires de

résistance pour plusieurs applications d'actionneur sont des accessoires en option pour les actionneurs de vanne à accouplement direct.

Les actionneurs de vanne à accouplement direct doivent fournir des performances nominales minimales de 50 000 cycles complets plus 1 000 000 de repositionnements tel qu'indiqué dans la documentation du produit.

Les actionneurs de vanne à accouplement direct devraient être fabriqués par la même société que le fabricant de vannes.

Solutions de régulation et d'automatisation

Honeywell International Inc.
1985 Douglas Drive North
Golden Valley, MN 55422
customer.honeywell.com

© Marque de commerce déposée aux États-Unis
© 2011 Honeywell International Inc.
Tous droits réservés
95C-10939EFS—03 K.K. Rev. 07-11
Imprimé aux États-Unis

Honeywell

Actuadores de acoplamiento directo para válvulas ML6984, ML7984 de la serie 4000

INFORMACIÓN DEL PRODUCTO



CARACTERÍSTICAS

- Conexión motorizada y autónoma para válvulas de globo.
- Sensor de posición digital con microprocesador, y control de motor para una posición precisa.
- Tamaño compacto para instalar fácilmente en espacios limitados.
- Cubierta impermeable NEMA 3R para instalación en exteriores.
- Autocalibración para la carrera de la válvula de entre 1/2 in (13 mm) y 1 in (25 mm).
- Selección de la configuración de entrada del interruptor DIP.
- Indicación de estado por LED (diodo emisor de luz).
- Puede configurarse al modo de 3 cables para modelos flotantes.
- Fuerza de cierre de la válvula de 710 N, 160 libras fuerza (712 N).
- Puede usarse con fuente de alimentación común con transformador para múltiples actuadores y controladores.
- Fuente de alimentación de 24 V CA o 28 V CC.
- Se encuentra a disposición un módulo de retroalimentación de posición/interruptor auxiliar incorporable en campo para modelos de 5 cables.

APLICACIÓN

El ML6984 y el ML7984 son actuadores con conexión motorizada, autónoma y autoajustable para válvulas, que se montan directamente en válvulas de globo de dos vías V5011 y de tres vías V5013, lo que proporciona un funcionamiento lineal del vástago de entre 1/2 in (13 mm) y 1 in (25 mm).

El ML6984 debe usarse con controladores SPDT de bajo voltaje, serie 20, controladores (encendido-apagado), serie 60, o con controladores electromecánicos y electrónicos SP3T (flotante), serie 60.

El ML7984 debe usarse con controladores de la serie 70, de 0 a 10 V CC, de 2 a 10 V CC, de 4 a 20 mA; controladores electrónicos "SuperMod" de la serie 90; y controladores de modulación de 135 ohmios.

Índice

Especificaciones	2
Información para pedidos	2
Instalación	3
Diagramas esquemáticos del cableado	5
Funcionamiento	10
Notas para realizar reemplazos	11
Verificación	12
Localización y solución de problemas	13



ESPECIFICACIONES

IMPORTANTE

Las especificaciones que se indican en esta publicación no incluyen las tolerancias de fabricación normales. Por lo tanto, es posible que una unidad específica no coincida con las especificaciones mencionadas. Además, este producto se prueba y calibra en condiciones muy controladas, y se pueden esperar algunas diferencias menores en su funcionamiento si las condiciones no son las mismas.

Entorno operativo:

Temperatura ambiente de funcionamiento: de 32 a 130 °F (de 0 a 54 °C) medida en el actuador.

Temperatura de envío: de -40 a 150 °F (de -40 a +65 °C).

Humedad relativa: del 15% al 95% sin condensación, hasta 104 °F (40 °C), cubierta NEMA-3R/IP54 para instalación en exteriores.

Ruido acústico: nivel máximo de presión sonora de 55 dBA a 39 in (991 mm) de distancia.

Clasificación eléctrica: suministro/consumo de energía: 24 V (+10%, -15%), 50/60 Hz o 28 V CC, +/-10%, 6 VA (en funcionamiento), 12 VA (asiento de válvula).

Especificaciones/Declaración de CE: los actuadores ML6984 y ML7984 cumplen con todos los requisitos esenciales de la **Directiva 73/23/CEE sobre bajo voltaje** que se basa en las normas **EN 60730-1:2000** y **EN 60730-2-14:1995+A1:2001**

Entradas:

ML6984- 25 mA, 24 V CA (modo de 5 cables únicamente)

- 500 mA (modo de 3 cables para asiento de válvula)

- Duración mínima de la señal de entrada: 100 ms

ML7984* - de 2 a 10 V CC (1 mA); de 4 a 20 mA CC

*Puede usarse con entrada de 0 a 10 V CC, pero la válvula se cerrará a 2 V CC.

Impedancia de entrada para el ML7984:

Fuente de voltaje - 20 KW ohmios

Fuente de corriente - 237 ohmios

Peso de embarque: 2.2 lb (1 kg) aprox.

Accesorios/piezas:

272629A - Adaptador de montaje para válvulas V5045.

272630D - Interruptor auxiliar electrónico para bajo voltaje con retroalimentación de posición.

272822 - Kit de resistencia para aplicación de múltiples actuadores de la serie 90 y para el ML7984, para reemplazar el ML784 (de 4 a 20 mA) anterior.

40003793-005 - Ensamble de la bolsa de aditamentos de montaje.

Valores mecánicos:

Carrera - Entre 1/2 in (13 mm) y 1 in (25 mm), autoajustable.

Sombbrero - 1 3/8 in (35 mm) para válvulas V5011/13, hasta 3 in (76 mm) (DN80).

Acoplamiento del vástago - rosca UNF 28 de 1/4 in (6 mm).

Tiempo de carrera - 63 segundos nominales para una carrera de 3/4 in (19 mm).

- Proporcional a la distancia de la carrera a 24 V CA.

Fuerza de cierre - mínima de 710 N (160 libras fuerza) a 24 V CA.

- La fuerza varía, 22 N/V (5 libras fuerza/voltios).

Especificaciones de rendimiento:

Vida útil: (en condiciones nominales de carga nominal y potencia) 50.000 ciclos de carrera completa más

1.000.000 reposiciones del recorrido del vástago del 10%

o 10 años, lo que suceda primero.

Histéresis: 5%

Table 1. Rangos de presión de cierre del ML6984/7984 de la serie 4000 con válvulas Honeywell, psid

Tipo	Familia de válvulas	1/2 in. (13 mm)	3/4 in. (19 mm)	1 in. (25 mm)	1-1/4 in. (32 mm)	1-1/2 in. (38 mm)	2 in. (51 mm)	2-1/2 in. (63 mm)	3 in. (76 mm)
Conexión abocinada	V5011A	150	150	150	150	91	58	77	53
	V3350/51/60/61; V3450/51/60/61	—	—	—	—	—	—	63	45
Conexión NPT	V5011F, G	150	150	150	150	91	58	33	19
	V5011H, J	150	150	150	150	—	—	—	—
	V5011N, V5013N	230	230	193	123	79	44	—	—
	Vapor V5011G, V5011N2xxx	100	100	100	100	79	44	—	—
	V5013F	150	150	150	149	91	58	—	—

*No exceda el valor de 100 psid con válvulas que se usan en aplicaciones de vapor.

INFORMACIÓN PARA PEDIDOS

Cuando compre productos de reemplazo y modernización a su mayorista o distribuidor de TRADELINE®, refiérase al catálogo o listas de precios de TRADELINE® para obtener el modelo completo. Si tiene preguntas adicionales, si necesita más información, o si quisiera dar sus comentarios sobre nuestros productos o servicios, escriba o llame a:

1. Su oficina de ventas local de Environmental and Combustion Controls (Controles Ambientales y de Combustión) (consulte las páginas blancas de su directorio telefónico), o
2. Honeywell Customer Care (Servicio al Cliente)
1985 Douglas Drive North
Golden Valley, MN 55422-4386
3. <http://customer.honeywell.com> o <http://customer.honeywell.ca>

Oficinas internacionales de ventas y servicio en todas las principales ciudades de mundo. Fábricas en Alemania, Bélgica, Canadá, China, la República Checa, Hungría, Italia, México, los Países Bajos, el Reino Unido, y los Estados Unidos.

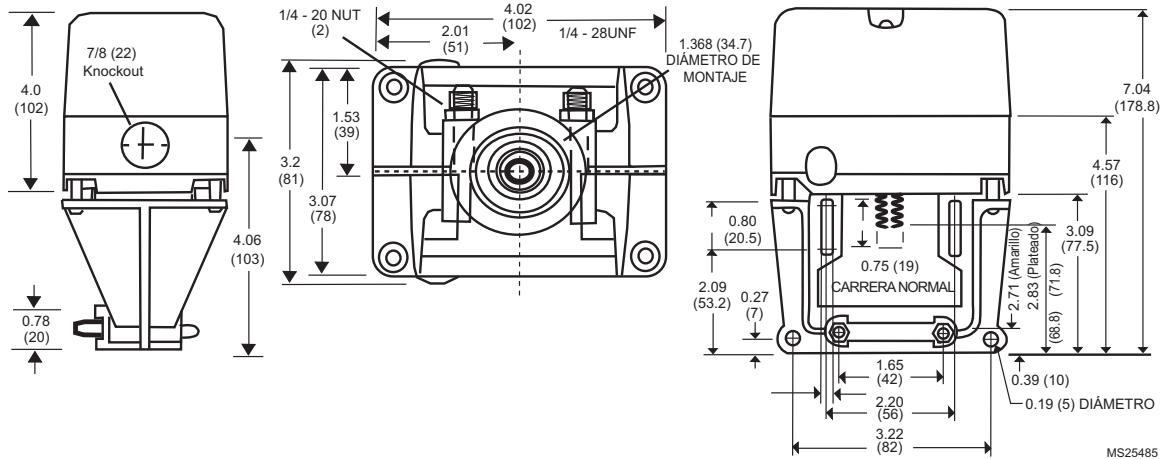


Fig. 1. Dimensiones del actuador para válvula ML6984, in (mm).

INSTALACIÓN

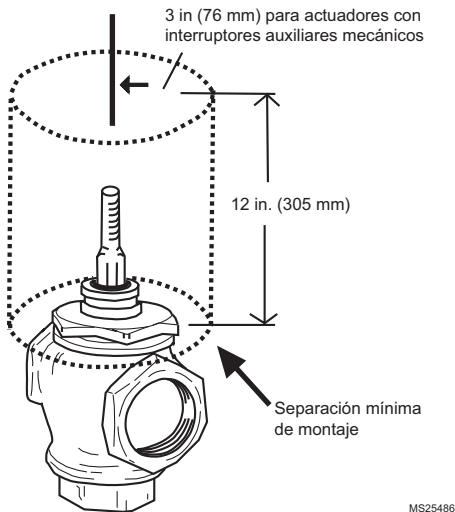


Fig. 2. Separación mínima de montaje.



PRECAUCIÓN

La reubicación o los ciclos rápidos y cortos pueden causar el bloqueo del dispositivo del interruptor o reducir su vida útil.

Cuando instale este producto...

1. Lea detenidamente estas instrucciones. De no seguir las, se podría dañar el producto o provocar una situación peligrosa.
2. Revise los valores nominales especificados en las instrucciones y en el producto, para asegurarse que el producto sea adecuado para la aplicación.
3. El instalador debe ser un técnico de servicio capacitado y experimentado.
4. Después de terminar la instalación, verifique el funcionamiento del producto tal como se indica en estas instrucciones.

5. NO ponga en funcionamiento el actuador con electricidad antes de ensamblarlo en la válvula, ya que pueden producirse daños que el instalador no advierta.

IMPORTANTE

Antes de instalar la válvula, suba y baje el vástago de la válvula para asegurarse que éste funcione con facilidad. El funcionamiento defectuoso del vástago puede indicar que el vástago se dobló debido a una manipulación brusca. Esta situación puede requerir la reparación o el reemplazo de la válvula.

Proteja al vástago de daños debido a flexiones o ralladuras. La empaquetadura del vástago puede dañarse.

Uso correcto

Personal calificado debe instalar las válvulas siguiendo estrictamente las instrucciones de instalación y las reglamentaciones locales. Honeywell no asume responsabilidad por daños o lesiones que pudieran surgir debido a la falta de cumplimiento de las instrucciones de instalación o el buen cumplimiento de la normativa al momento del montaje, la puesta en marcha o el mantenimiento de las válvulas, aun cuando no se haya mencionado explícitamente en las instrucciones de instalación. Respete todas las prácticas de seguridad cuando trabaje con sistemas de vapor.

Montaje

1. Asegúrese que el cuerpo de la válvula esté correctamente instalado, la flecha debe marcar la dirección del flujo.
2. Se puede montar el actuador en cualquier posición; sin embargo, es preferible que lo monte sobre el plano horizontal de la tubería. Esto minimiza el riesgo de daños al actuador en caso que exista condensación o pérdida en el casquillo de cierre de la válvula. Cuando esté controlando el vapor, gire el cuerpo de la válvula con el actuador detrás de la válvula para evitar exceder los límites de temperatura ambiente del actuador. Por la misma razón, no monte actuadores ML en válvulas de vapor en gabinetes cerrados. Para el control de encendido-apagado de vapor en tuberías de tamaño pequeño, Honeywell recomienda las válvulas de zona V8043J.

NOTA: la clasificación de protección impermeable NEMA 3R sólo se aplica a actuadores montados verticalmente. La cubierta se trató con estabilizadores UV para aplicaciones en exteriores. Se deben usar conectores impermeables para conductos aprobados para ubicaciones húmedas o en exteriores, para conservar la clasificación NEMA 3R.

3. Quite el botón del vástago (Fig. 3) del vástago de la válvula.
4. (Opcional) Coloque a presión el indicador de posición rojo (sujetador de metal) sobre el vástago de la válvula y ubíquelo para obtener una mejor visibilidad (Fig. 3). El indicador se autoalineará con la marca del yugo luego de completar el ciclo de funcionamiento. Se recomienda que esto se lleve a cabo luego de la instalación del actuador.

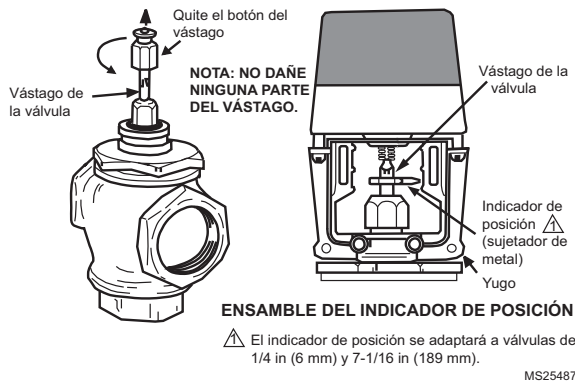


Fig. 3. Preparación para el ensamblaje de la válvula.

Ensamble del actuador MLx984 a la válvula

1. El eje de accionamiento del actuador MLx984 tiene un orificio roscado UNF 28 de 1/4 in (6 mm) para conectarlo con el vástago de la válvula. Deslice el yugo sobre el sombrerete de la válvula (Fig. 4).

2. Enrosque el eje de accionamiento del actuador MLx984 sobre el vástago de la válvula completamente hasta que esté totalmente conectado (sin que se observen roscas), girando el actuador para válvula en sentido horario, como se ve desde arriba. Use una clavija o llave, según el cuerpo de la válvula, para evitar que el vástago de la válvula gire. Tenga en cuenta que el actuador para válvula se envía con el eje de accionamiento en posición media.
3. Se debe tener cuidado cuando se manipulen herramientas sobre el vástago de la válvula durante el ajuste (Fig. 4). NO dañe las roscas ni otras partes del vástago.
4. Oriente el orificio del conducto en la dirección más deseable y, luego, ajuste las CONTRATUERCAS en el perno en U.
5. Afloje los dos tornillos imperdibles ubicados en la parte superior para quitar la cubierta plástica del MLx984. Coloque los tornillos de fijación tipo (hexagonal) Allen (incluidos en la bolsa plástica) en la parte superior del eje, con la cabeza hexagonal hacia arriba.
6. Ajuste el tornillo de fijación para asegurar el vástago de la válvula en su lugar (Fig. 6) con una llave Allen de 1/8 in (incluida).

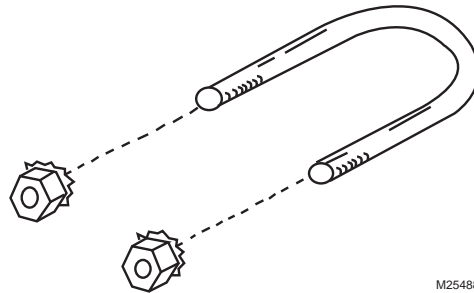


Fig. 4. Ensamble del perno en U.

NOTA: use el perno en U que viene con el actuador. No lo reemplace con un perno en U de acero inoxidable en válvulas para agua fría. La condensación puede provocar la corrosión del yugo con el perno en U de acero inoxidable.

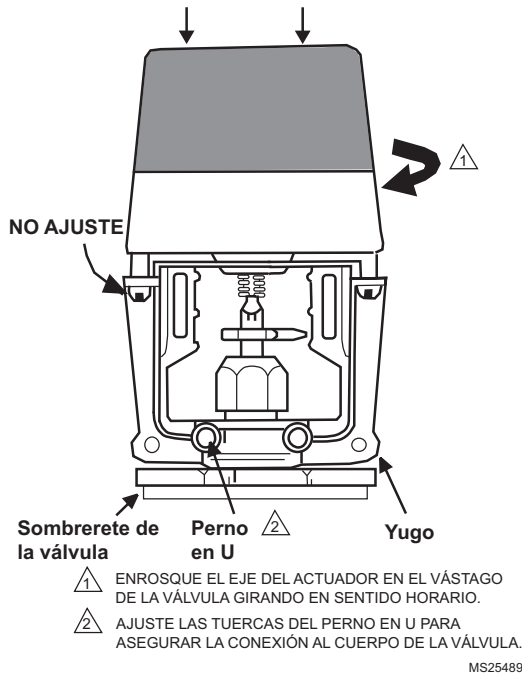


Fig. 5. Ensamble del MLx984A a la válvula.

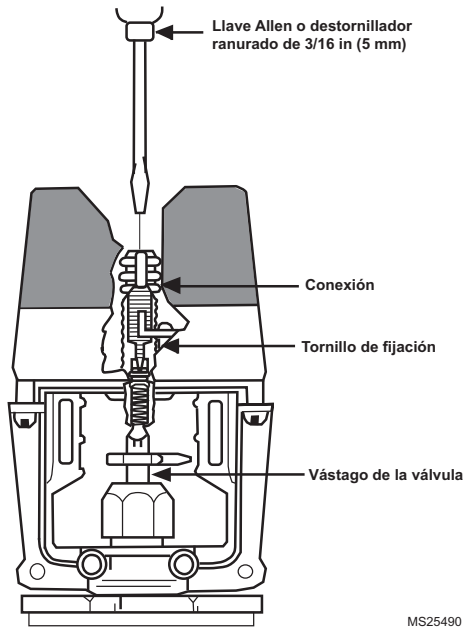


Fig. 6. Conexión del eje de accionamiento del MLx984A al vástago de la válvula.

PRECAUCIÓN

Para lograr un correcto funcionamiento de la válvula se debe enrosacar completamente el vástago de la válvula en el actuador (sin que se observen roscas) y asegurarlo en su lugar con el tornillo de fijación incluido.

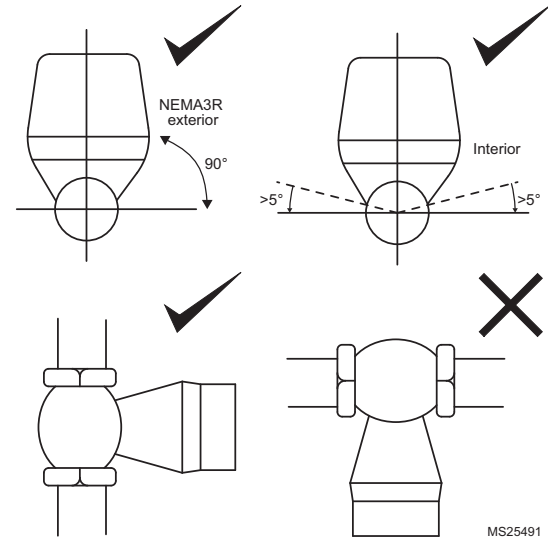


Fig. 7. Posiciones de montaje.

DIAGRAMAS ESQUEMÁTICOS DEL CABLEADO

Los actuadores MLx984 están diseñados para funcionar con una fuente de energía clase II con voltaje de seguridad extra bajo. Se suministra un orificio de cableado de 7/8 in (22 mm) para sujetar un conducto flexible donde los códigos locales lo exijan. Cuando se instale en exteriores, se deben usar conectores impermeables para conductos aprobados para ubicaciones húmedas y en exteriores.



PRECAUCIÓN

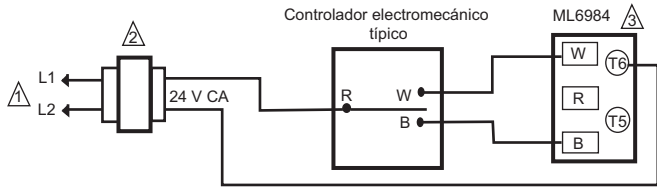
Peligro de descargas eléctricas o daños al equipo. Puede darle una descarga eléctrica a una persona o generar un cortocircuito en el equipo.

Desconecte el suministro eléctrico al actuador para evitar descargas eléctricas y daños al equipo, o quite y tape la línea de aire al actuador.

NOTA: En todos los casos de cableado de múltiples actuadores, el suministro eléctrico debe conectarse "en estrella" para reducir la caída excesiva de voltaje. NO conecte "en cadena margarita"; es decir, no conecte la energía a un actuador y, luego, la ramifique hacia otro.

Funcionamiento

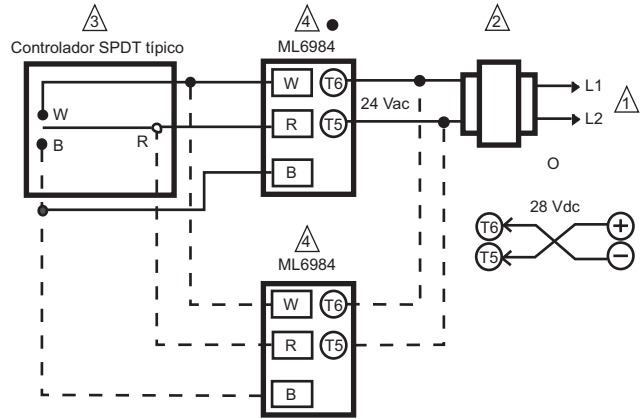
La fuente de energía del actuador para válvula recomendada es de un voltaje de seguridad extra bajo (Safety Extra-Low Voltaje, SELV) de clase II, con transformador de 24 V o fuente regulada de 28 V CC a través de los terminales T5 y T6. Los circuitos internos brindan corriente continua para los circuitos de motores de impulsión y de sensores electrónicos.



- ⚠ EL SUMINISTRO DE ENERGÍA PROPORCIONA PROTECCIÓN CONTRA SOBRECARGAS Y MEDIOS DE DESCONEXIÓN.
- ⚠ PERMITE HASTA 0.5 AMPERIOS PARA CADA DISPOSITIVO. LOS ACTUADORES Y EL CONTROLADOR PUEDEN COMPARTIR EL MISMO TRANSFORMADOR, SIEMPRE Y CUANDO NO SE EXCEDA LA CLASIFICACIÓN DE VA DEL TRANSFORMADOR Y SE RESPETEN LAS FASES CORRESPONDIENTES. NO MEZCLE FUENTES DE ENERGÍA DE CA Y CC.
- ⚠ EL CONTROLADOR PUEDE SER SPDT DE BAJO VOLTAJE, SERIE 20, DE "ENCENDIDO-APAGADO", O DE TIPO "FLOTANTE" (DE TRES ESTADOS) SP3T, SERIE 60. LOS TERMINALES R Y T5 SE CONECTAN DENTRO DEL ML6984.

MS25492

Fig. 8. Control de 3 cables del ML6984 con controlador de la serie 60.

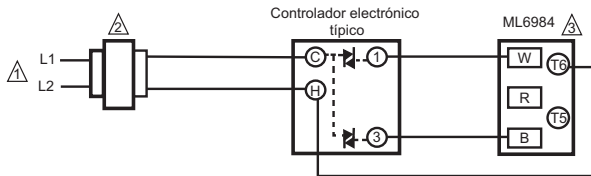


- ⚠ EL SUMINISTRO DE ENERGÍA PROPORCIONA PROTECCIÓN CONTRA SOBRECARGAS Y MEDIOS DE DESCONEXIÓN.
- ⚠ PERMITE HASTA 0.5 AMPERIOS PARA CADA DISPOSITIVO. LOS ACTUADORES Y EL CONTROLADOR PUEDEN COMPARTIR EL MISMO TRANSFORMADOR, SIEMPRE Y CUANDO NO SE EXCEDA LA CLASIFICACIÓN DE VA DEL TRANSFORMADOR Y SE RESPETEN LAS FASES CORRESPONDIENTES. NO MEZCLE FUENTES DE ENERGÍA DE CA Y CC.
- ⚠ EL CONTROLADOR PUEDE SER SPDT DE BAJO VOLTAJE, SERIE 20, DE "ENCENDIDO-APAGADO", O DE TIPO "FLOTANTE" (DE TRES ESTADOS) SP3T, SERIE 60. LOS TERMINALES R Y T5 SE CONECTAN DENTRO DEL ML6984.

- ⚠ SE DEBEN CABLEAR MÚLTIPLES ACTUADORES CONTROLADOS POR UN CONTROLADOR COMÚN EN PARALELO PARA QUE TODOS SE DESPLACEN EN LA MISMA DIRECCIÓN. LOS ACTUADORES DE ACCIÓN INVERSA NO FUNCIONARÁN DE MANERA CONFIABLE COMBINADOS CON LAS UNIDADES DE ACCIÓN DIRECTA DEBIDO A LAS TOLERANCIAS DE LA CAJA DE ENGRANAJES. EN SU LUGAR, USE ACTUADORES DE MODULACIÓN ML7984 O CONTROLADORES DEDICADOS, O SALIDAS DE CONTROLADORES INDEPENDIENTES PARA CADA GRUPO.

MS25494

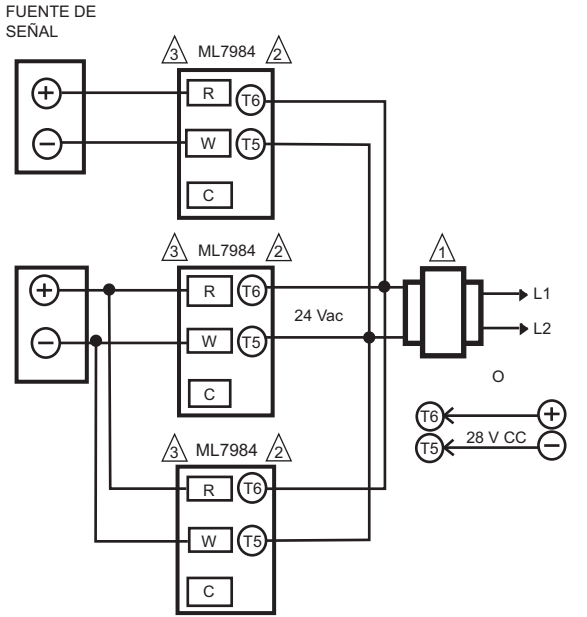
Fig. 10. Control de 5 cables del ML6984.



- ⚠ EL SUMINISTRO DE ENERGÍA PROPORCIONA PROTECCIÓN CONTRA SOBRECARGAS Y MEDIOS DE DESCONEXIÓN.
- ⚠ PERMITE HASTA 0.5 AMPERIOS PARA CADA DISPOSITIVO. LOS ACTUADORES Y EL CONTROLADOR PUEDEN COMPARTIR EL MISMO TRANSFORMADOR, SIEMPRE Y CUANDO NO SE EXCEDA LA CLASIFICACIÓN DE VA DEL TRANSFORMADOR Y SE RESPETEN LAS FASES CORRESPONDIENTES. NO MEZCLE FUENTES DE ENERGÍA DE CA Y CC.
- ⚠ EL CONTROLADOR PUEDE SER SPDT DE BAJO VOLTAJE, SERIE 20, DE "ENCENDIDO-APAGADO", O DE TIPO "FLOTANTE" (DE TRES ESTADOS) SP3T, SERIE 60. LOS TERMINALES R Y T5 SE CONECTAN DENTRO DEL ML6984.

MS25493

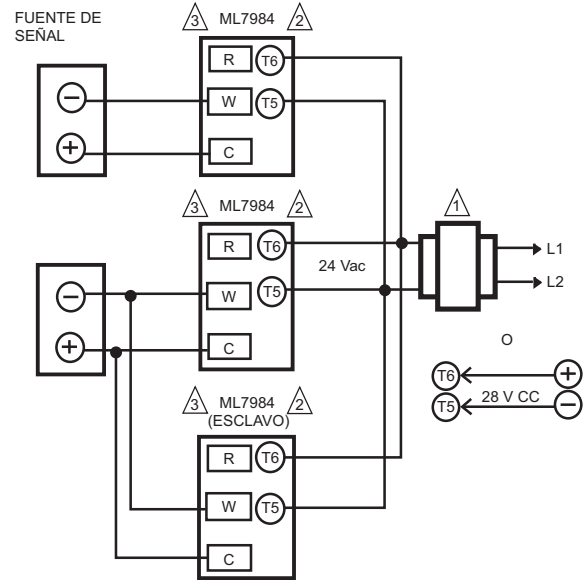
Fig. 9. Control de 3 cables del ML6984 con controlador electrónico.



FUNCIÓN	CONFIGURACIÓN DEL INTERRUPTOR DIP					
1000 Acción directa de 2 a 10 V CC	<table border="1"> <tr> <td>1</td> <td>2</td> <td>3</td> <td>4</td> <td>Encendido(1) Apagado(0)</td> </tr> </table>	1	2	3	4	Encendido(1) Apagado(0)
1	2	3	4	Encendido(1) Apagado(0)		
1010 Acción inversa de 10 a 2 V CC	<table border="1"> <tr> <td>1</td> <td>2</td> <td>3</td> <td>4</td> <td>Encendido(1) Apagado(0)</td> </tr> </table>	1	2	3	4	Encendido(1) Apagado(0)
1	2	3	4	Encendido(1) Apagado(0)		

- ⚠ EL SUMINISTRO DE ENERGÍA PROPORCIONA PROTECCIÓN CONTRA SOBRECARGAS Y MEDIOS DE DESCONEXIÓN.
- ⚠ PERMITE HASTA 0.5 AMPERIOS PARA CADA DISPOSITIVO. LOS ACTUADORES Y EL CONTROLADOR PUEDEN COMPARTIR EL MISMO TRANSFORMADOR, SIEMPRE Y CUANDO NO SE EXCEDA LA CLASIFICACIÓN DE VA DEL TRANSFORMADOR Y SE RESPETEN LAS FASES CORRESPONDIENTES. NO MEZCLE FUENTES DE ENERGÍA DE CA Y CC.
- ⚠ EN EL ML7984, LOS TERMINALES "T5" Y "W" SE CONECTAN DE MANERA INTERNA. EL DISPOSITIVO ES COMPATIBLE CON EL CABLEADO DE 3 CONDUCTORES.
- ⚠ USE LOS INTERRUPTORES DIP DE CONFIGURACIÓN PARA SELECCIONAR LAS FUNCIONES DEL DISPOSITIVO: FUNCIÓN DE ACCIÓN DIRECTA (EL VÁSTAGO DEL ACTUADOR SE MUEVE HACIA ABAJO CON AUMENTOS DE SEÑAL HASTA 10 V/20 MA) O FUNCIÓN DE ACCIÓN INVERSA (EL VÁSTAGO DEL ACTUADOR SE MUEVE HACIA ARRIBA CON AUMENTOS DE SEÑAL HASTA 10 V/20 MA).
- ⚠ SIEMPRE CORTE EL SUMINISTRO ELÉCTRICO ANTES DE CONFIGURAR CUALQUIER INTERRUPTOR DIP.

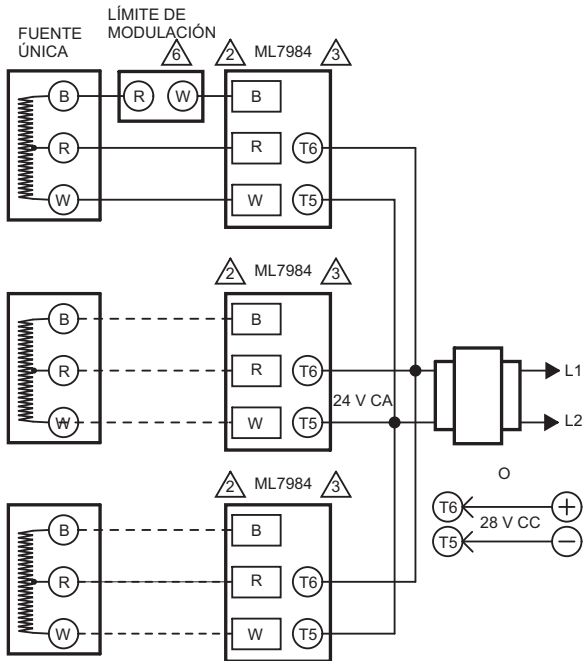
Fig. 11. Cableado del ML7984 con señal de control análoga de 10 V CC.



FUNCIÓN	CONFIGURACIÓN DEL INTERRUPTOR DIP					
X000 Acción directa de 4 a 20 mA	<table border="1"> <tr> <td>1</td> <td>2</td> <td>3</td> <td>4</td> <td>Encendido(1) Apagado(0)</td> </tr> </table>	1	2	3	4	Encendido(1) Apagado(0)
1	2	3	4	Encendido(1) Apagado(0)		
X010 Acción inversa de 20 a 4 mA	<table border="1"> <tr> <td>1</td> <td>2</td> <td>3</td> <td>4</td> <td>Encendido(1) Apagado(0)</td> </tr> </table>	1	2	3	4	Encendido(1) Apagado(0)
1	2	3	4	Encendido(1) Apagado(0)		

- ⚠ EL SUMINISTRO DE ENERGÍA PROPORCIONA PROTECCIÓN CONTRA SOBRECARGAS Y MEDIOS DE DESCONEXIÓN.
- ⚠ PERMITE HASTA 0.5 AMPERIOS PARA CADA DISPOSITIVO. LOS ACTUADORES Y EL CONTROLADOR PUEDEN COMPARTIR EL MISMO TRANSFORMADOR, SIEMPRE Y CUANDO NO SE EXCEDA LA CLASIFICACIÓN DE VA DEL TRANSFORMADOR Y SE RESPETEN LAS FASES CORRESPONDIENTES. NO MEZCLE FUENTES DE ENERGÍA DE CA Y CC.
- ⚠ EN EL ML7984, LOS TERMINALES "T5" Y "W" SE CONECTAN DE MANERA INTERNA. EL DISPOSITIVO ES COMPATIBLE CON EL CABLEADO DE 3 CONDUCTORES.
- ⚠ USE LOS INTERRUPTORES DIP DE CONFIGURACIÓN PARA SELECCIONAR LAS FUNCIONES DEL DISPOSITIVO: FUNCIÓN DE ACCIÓN DIRECTA (EL VÁSTAGO DEL ACTUADOR SE MUEVE HACIA ABAJO CON AUMENTOS DE SEÑAL HASTA 10 V/20 MA) O FUNCIÓN DE ACCIÓN INVERSA (EL VÁSTAGO DEL ACTUADOR SE MUEVE HACIA ARRIBA CON AUMENTOS DE SEÑAL HASTA 10 V/20 MA).
- ⚠ SIEMPRE CORTE EL SUMINISTRO ELÉCTRICO ANTES DE CONFIGURAR CUALQUIER INTERRUPTOR DIP.

Fig. 12. Cableado del ML7984 con señal de control análoga de 20 mA.



FUNCIÓN	CONFIGURACIÓN DEL INTERRUPTOR DIP										
1001 Acción directa mecánica, serie 90	<table border="1"> <tr> <td>1</td> <td>2</td> <td>3</td> <td>4</td> <td>Encendido (1) Apagado (0)</td> </tr> <tr> <td>↑</td> <td>↓</td> <td>↓</td> <td>↑</td> <td></td> </tr> </table>	1	2	3	4	Encendido (1) Apagado (0)	↑	↓	↓	↑	
1	2	3	4	Encendido (1) Apagado (0)							
↑	↓	↓	↑								
1011 Acción inversa mecánica, serie 90	<table border="1"> <tr> <td>1</td> <td>2</td> <td>3</td> <td>4</td> <td>Encendido (1) Apagado (0)</td> </tr> <tr> <td>↑</td> <td>↓</td> <td>↑</td> <td>↑</td> <td></td> </tr> </table>	1	2	3	4	Encendido (1) Apagado (0)	↑	↓	↑	↑	
1	2	3	4	Encendido (1) Apagado (0)							
↑	↓	↑	↑								

- 1 EL SUMINISTRO DE ENERGÍA PROPORCIONA PROTECCIÓN CONTRA SOBRECARGAS Y MEDIOS DE DESCONEJIÓN.
- 2 PERMITE HASTA 0.5 AMPERIOS PARA CADA DISPOSITIVO. LOS ACTUADORES Y EL CONTROLADOR PUEDEN COMPARTIR EL MISMO TRANSFORMADOR, SIEMPRE Y CUANDO NO SE EXCEDA LA CLASIFICACIÓN DE VA DEL TRANSFORMADOR Y SE RESPETEN LAS FASES CORRESPONDIENTES. NO MEZCLE FUENTES DE ENERGÍA DE CA Y CC.
- 3 NO MEZCLE EL M984/6 NI LOS MOTORES MODUTROL CON EL ML7984 EN EL MISMO CIRCUITO.
- 4 USE LOS INTERRUPTORES DIP DE CONFIGURACIÓN PARA SELECCIONAR LAS FUNCIONES DEL DISPOSITIVO: FUNCIÓN DE ACCIÓN DIRECTA (EL VÁSTAGO DEL ACTUADOR SE MUEVE HACIA ARRIBA CON AUMENTO DE SEÑAL) O FUNCIÓN DE ACCIÓN INVERSA (EL VÁSTAGO DEL ACTUADOR SE MUEVE HACIA ABAJO CON AUMENTO DE SEÑAL).
- 5 CORTE EL SUMINISTRO ELÉCTRICO ANTES DE CONFIGURAR CUALQUIER INTERRUPTOR DIP. CONSULTE CON LA FÁBRICA RESPECTO DE LAS APLICACIONES DE CONTROLADOR COMÚN Y TRANSFORMADOR COMÚN.
- 6 RESISTENCIA MÁXIMA POR CIRCUITO DE CONTROL DE 280 OHMIOS.

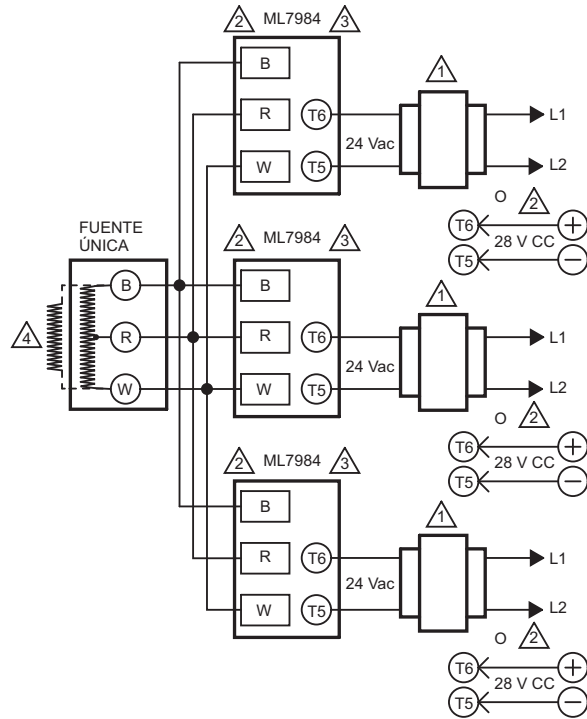


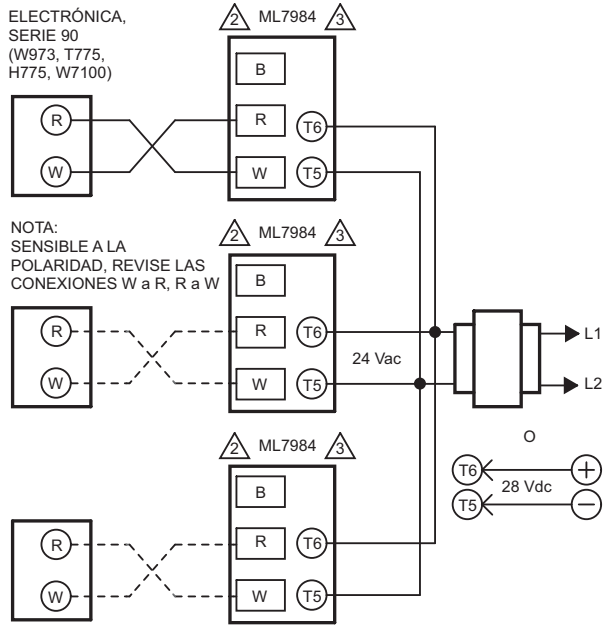
TABLA DE SELECCIÓN DE RESISTENCIAS 4		
CANT. DE ACTUADORES	VALOR DE LA RESISTENCIA	
1	NO SE REQUIERE RESISTENCIA	TODAS LAS RESISTENCIAS
2	133 OHMIOS	1/4 VATIOS
3	68.1 OHMIOS	PELÍCULA METÁLICA DEL 1%
4	45.3 OHMIOS	

- 1 EL SUMINISTRO DE ENERGÍA PROPORCIONA PROTECCIÓN CONTRA SOBRECARGAS Y MEDIOS DE DESCONEJIÓN.
- 2 PERMITE HASTA 0.5 AMPERIOS PARA CADA DISPOSITIVO. LOS ACTUADORES Y EL CONTROLADOR PUEDEN COMPARTIR EL MISMO TRANSFORMADOR, SIEMPRE Y CUANDO NO SE EXCEDA LA CLASIFICACIÓN DE VA DEL TRANSFORMADOR Y SE RESPETEN LAS FASES CORRESPONDIENTES. NO MEZCLE FUENTES DE ENERGÍA DE CA Y CC.
- 3 NO MEZCLE EL M984/6 NI LOS MOTORES MODUTROL CON EL ML7984 EN EL MISMO CIRCUITO.
- 4 USE EL NÚMERO DE PIEZA 272822 DEL KIT DE RESISTENCIA.

MS25498

Fig. 13. Cableado del ML7984 con transformador común, controladores individuales.

Fig. 14. ML7984 con transformadores individuales, controlador común

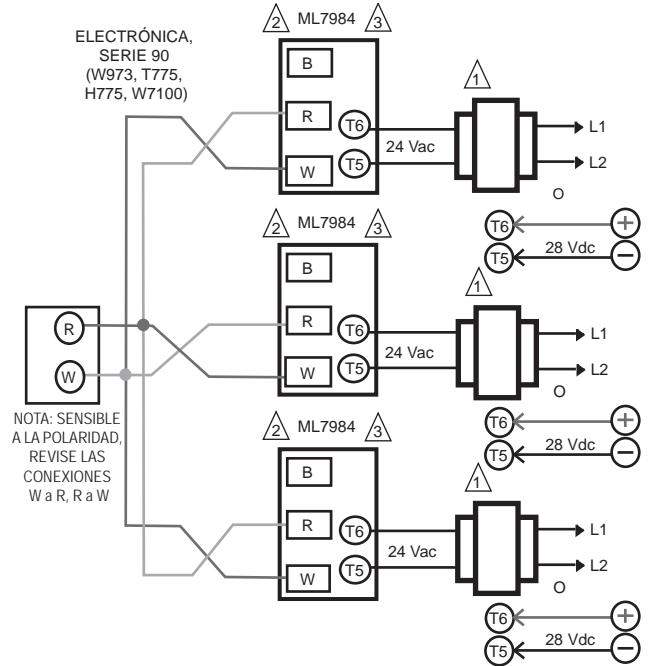


FUNCIÓN	CONFIGURACIÓN DEL INTERRUPTOR DIP
1101 Acción directa electrónica 1101, serie 90	Encendido (1) Apagado (0)
1111 Acción inversa electrónica 1111, serie 90	Encendido (1) Apagado (0)

- 1 EL SUMINISTRO DE ENERGÍA PROPORCIONA PROTECCIÓN CONTRA SOBRECARGAS Y MEDIOS DE DESCONEXIÓN.
- 2 PERMITE HASTA 0.5 AMPERIOS PARA CADA DISPOSITIVO. LOS ACTUADORES Y EL CONTROLADOR PUEDEN COMPARTIR EL MISMO TRANSFORMADOR, SIEMPRE Y CUANDO NO SE EXCEDA LA CLASIFICACIÓN DE VA DEL TRANSFORMADOR Y SE RESPETEN LAS FASES CORRESPONDIENTES. NO MEZCLE FUENTES DE ENERGÍA DE CA Y CC.
- 3 NO MEZCLE EL M984/6 NI LOS MOTORES MODUTROL CON EL ML7984 EN EL MISMO CIRCUITO.
- 4 USE LOS INTERRUPTORES DIP DE CONFIGURACIÓN PARA SELECCIONAR LAS FUNCIONES DEL DISPOSITIVO: FUNCIÓN DE ACCIÓN DIRECTA (EL VÁSTAGO DEL ACTUADOR SE MUEVE HACIA ARRIBA CON AUMENTOS DE SEÑAL HASTA 10 V/20 MA) O FUNCIÓN DE ACCIÓN INVERSA (EL VÁSTAGO DEL ACTUADOR SE MUEVE HACIA ABAJO CON AUMENTOS DE SEÑAL HASTA 10 V/20 MA).
- 5 CORTE EL SUMINISTRO ELÉCTRICO ANTES DE CONFIGURAR CUALQUIER INTERRUPTOR DIP.

MS25499

Fig. 15. ML7984 con transformador común, controladores individuales.



FUNCIÓN	CONFIGURACIÓN DEL INTERRUPTOR DIP
1101 Acción directa electrónica 1101, serie 90	Encendido (1) Apagado (0)
1111 Acción inversa electrónica 1111, serie 90	Encendido (1) Apagado (0)

- 1 EL SUMINISTRO DE ENERGÍA PROPORCIONA PROTECCIÓN CONTRA SOBRECARGAS Y MEDIOS DE DESCONEXIÓN.
- 2 PERMITE HASTA 0.5 AMPERIOS PARA CADA DISPOSITIVO. LOS ACTUADORES Y EL CONTROLADOR PUEDEN COMPARTIR EL MISMO TRANSFORMADOR, SIEMPRE Y CUANDO NO SE EXCEDA LA CLASIFICACIÓN DE VA DEL TRANSFORMADOR Y SE RESPETEN LAS FASES CORRESPONDIENTES. NO MEZCLE FUENTES DE ENERGÍA DE CA Y CC.
- 3 NO MEZCLE EL M984/6 NI LOS MOTORES MODUTROL CON EL ML7984 EN EL MISMO CIRCUITO.
- 4 USE LOS INTERRUPTORES DIP DE CONFIGURACIÓN PARA SELECCIONAR LAS FUNCIONES DEL DISPOSITIVO: FUNCIÓN DE ACCIÓN DIRECTA (EL VÁSTAGO DEL ACTUADOR SE MUEVE HACIA ARRIBA CON AUMENTOS DE SEÑAL HASTA 10 V/20 MA) O FUNCIÓN DE ACCIÓN INVERSA (EL VÁSTAGO DEL ACTUADOR SE MUEVE HACIA ABAJO CON AUMENTOS DE SEÑAL HASTA 10 V/20 MA).
- 5 CORTE EL SUMINISTRO ELÉCTRICO ANTES DE CONFIGURAR CUALQUIER INTERRUPTOR DIP.

MS25500

Fig. 16. ML7984 con transformadores individuales, controlador común.

FUNCIONAMIENTO

Cada vez que se (re)alimenten los terminales T5 y T6 del actuador, el microprocesador pondrá en funcionamiento la válvula por una carrera completa para calibrar su posición. Todas las carreras de entre 1/2 in (13 mm) y 1 in (25 mm) se dividirán en 30 pasos iguales. El tiempo de funcionamiento es proporcional a la distancia de la carrera y al voltaje del suministro eléctrico. El actuador también se desacelerará a medida que la válvula cierre el asiento. Los indicadores LED se iluminan cuando los terminales T5 y T6 son alimentados, y titilan cuando el actuador está en movimiento. El T5 se conecta al Terminal R en el ML6984 y al Terminal W en el ML7984.

NOTA: la calibración inicial no se aplica al ML6984 instalado para un control de 3 cables o para un control de 5 cables sin el módulo de retroalimentación de posición/interruptor auxiliar 272630D. Las posiciones de inicio y rango se deberán configurar durante la configuración del controlador. Consulte Funcionamiento del ML6984 de 3 cables a continuación. El ML7984 siempre lleva a cabo una autocalibración cuando se (re)alimenta.

Funcionamiento del ML7984

El microprocesador responde a la señal de los terminales de entrada según los valores de configuración del interruptor DIP.

Cuando se conecta correctamente al actuador, una señal de control entre los terminales de entrada de señal se convierte a digital en tiempo de funcionamiento y se compara con el recuento de pulsos del primer engranaje en el tren de engranajes. Cuando estos contadores son iguales, el motor de impulsión y el eje de accionamiento permanecen fijos.

Mientras el valor del medio controlado se mantenga en el punto de referencia del controlador, el circuito de lazo de control está balanceado y el actuador no está en funcionamiento. Cuando el punto de referencia del controlador o la temperatura controlada cambian, el voltaje de salida del controlador cambia y provoca una diferencia en los contadores. A medida que el actuador se mueve en la dirección para corregir la diferencia, los contadores aumentan o disminuyen y detienen el actuador cuando la entrada y el recuento de engranajes coinciden.

Al final de la carrera de la válvula, el actuador desarrolla la fuerza necesaria para el cierre completo de la válvula. El motor se detiene automáticamente cuando el motor consume una corriente predeterminada que corresponde a un nivel de fuerza. Los contadores digitales se reinician y calibran en cada extremo de la carrera.

Los actuadores de modulación se desplazarán automáticamente hasta la posición que corresponde a la señal de entrada análoga al finalizar el ciclo de autocalibración.



PRECAUCIÓN

Corte el suministro eléctrico antes de comenzar la instalación para evitar descargas eléctricas y daños al equipo.

Todo el cableado debe cumplir con los códigos eléctricos, las ordenanzas y las reglamentaciones locales pertinentes.

Asegúrese que el voltaje y la frecuencia del suministro eléctrico coincidan con la clasificación del dispositivo.

NO ponga en funcionamiento el actuador MLx984 con electricidad antes de ensamblarlo en la válvula, ya que pueden producirse daños que el instalador no advierta.

NO conecte 24 V CA entre ningún terminal de entrada de señal del ML7984. EL DISPOSITIVO FALLARÁ.

NOTA:

1. El ML7984 debe configurarse en campo con los interruptores DIP que se encuentran al lado de cada bloque de terminales. Consulte los diagramas de cableado para obtener más detalles. Corte el suministro eléctrico antes de CONFIGURAR CUALQUIER INTERRUPTOR DIP.
2. El actuador tiene una demora en la respuesta a cada cambio de señal de 1.5 segundos. Esto ocurre para eliminar el ruido eléctrico.
3. Para un correcto funcionamiento, el voltaje en los terminales T5 y T6 no debe ser menor de 22 V CA o 24 V CC durante el funcionamiento ni en las etapas de generación de fuerza. Aumente la clasificación de VA del transformador o use un modelo con mejor regulación si el voltaje cae por debajo de 22 V CA cuando la válvula se está cerrando.

Funcionamiento del control flotante del ML6984, 5 cables

Un microprocesador controla el motor. Conectar B a R por 1/10 segundos o más le ordena al microprocesador que haga que el actuador se impulse hacia arriba. Conectar W a R provocará que el actuador se impulse hacia abajo. Para el control "flotante", el actuador permanecerá en la última posición cuando no haya conexión con R.

Al final de la carrera de la válvula, el actuador desarrollará la fuerza necesaria para el cierre completo de la válvula. A medida que se desarrollan las fuerzas, la corriente hacia el motor aumenta. El microprocesador detiene el actuador automáticamente cuando la fuerza y la corriente del motor alcanzan el nivel calibrado de fábrica.

NOTA: debe haber, por lo menos, una demora de 1.5 segundos entre las sucesivas señales de entrada del control flotante. El actuador ignorará las señales del control flotante durante el ciclo de calibración, y no recuerda ninguno de los pulsos que se envían durante este período. Es posible que el controlador necesite llevar a cabo su propio ciclo de calibración antes de su uso.

Funcionamiento del ML6984, 3 cables

El ML6984 puede instalarse como un actuador flotante (no electrónico) convencional. Los componentes eléctricos de la interfaz se alimentan al mismo tiempo que el motor. Los pulsos deben tener una longitud de, al menos, 100 ms con una demora de, al menos, 1500 ms entre los pulsos. Cuando el ML6984 no tenga alimentación entre los terminales T6 y T5/R, la autocalibración no se llevará a cabo. El controlador debe impulsar la válvula a través de un ciclo de manera manual para calibrar la carrera al controlador.

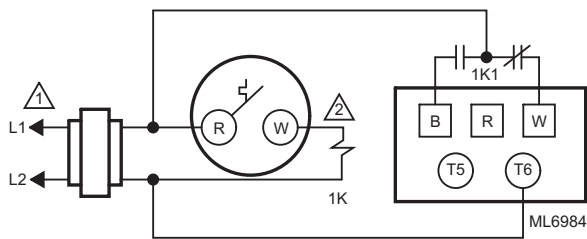
NOTE: el módulo de retroalimentación de posición/interruptor auxiliar 272630D no se puede usar con la instalación de 3 cables del ML6984. El 272630D necesita alimentación continua.

Controlador ML6984 XL10 Compatibilidad

Los controladores XL10 están diseñados para funcionar con actuadores de velocidad constante. Los actuadores ML6984 usan motores de corriente directa que varían su velocidad de acuerdo con los asientos de las válvulas o si el voltaje del suministro eléctrico no es constante. Los actuadores ML6984 en modo de 5 cables sólo brindan 30 posiciones diferenciadas. Para minimizar el desplazamiento posible de la posición de la válvula, los controladores XL10 deben usar una instalación de 3 cables y estar programados para realizar un ciclo de ejercicio de válvula diario.

Funcionamiento del control de encendido-apagado del ML6984

Para el funcionamiento del control de encendido-apagado, el ML6984 necesita un contacto SPDT de 24 V CA. Se necesita un relé de interfaz, como el RA889, para alimentar el anticipador térmico de un termostato electromecánico, como el T87F (consulte la Fig. 17).

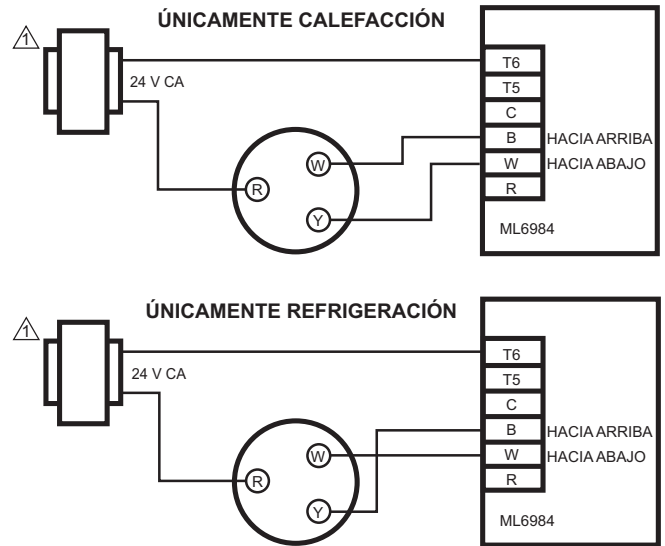


- ⚠️ SUMINISTRO ELÉCTRICO. PROPORCIONE LOS MEDIOS DE DESCONEJÓN Y DE PROTECCIÓN CONTRA SOBRECARGAS SEGÚN SE REQUIERA.
- ⚠️ CONFIGURE EL ANTICIPADOR TÉRMICO PARA QUE COINCIDA CON EL CONSUMO DE CORRIENTE DEL RELÉ DE 1K. NO TIENDA LOS CONTACTOS DEL RELÉ A TRAVÉS DEL TERMOSTATO.

Fig. 17. ML6984 con termostato T87F Round™ Honeywell.

Si conecta el ML6984 directamente a un T87F con una subbase de la serie 20, corte la resistencia de anticipación de enfriamiento en la subbase entre los terminales Rc y Y. Esto es necesario para que haya compatibilidad eléctrica con el ML6984, pero puede causar amplias variaciones de la temperatura ambiente debido a la pérdida de anticipación.

NOTAS PARA REALIZAR REEMPLAZOS

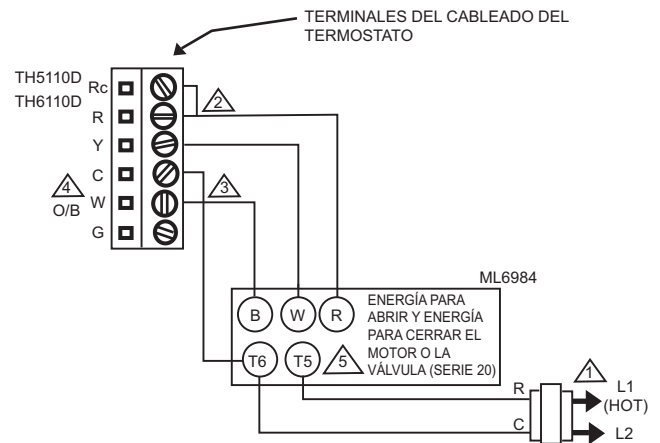


- ⚠️ TRANSFORMADOR CLASE 2. PROPORCIONE LOS MEDIOS DE DESCONEJÓN Y DE PROTECCIÓN CONTRA SOBRECARGAS SEGÚN SE REQUIERA.

MS25502

Fig. 18. ML6984 con termostato T87K Round™ Honeywell.

Consulte la Fig. 19 si conecta termostatos TH5110D o TH6110D FocusPRO™ al ML6984. Configure los termostatos para el funcionamiento según la serie 20.



- ⚠️ SUMINISTRO ELÉCTRICO. PROPORCIONE LOS MEDIOS DE DESCONEJÓN Y DE PROTECCIÓN CONTRA SOBRECARGAS SEGÚN SE REQUIERA.
- ⚠️ PUENTE DE CONEXIÓN INSTALADO EN FÁBRICA.
- ⚠️ CONEXIÓN COMÚN DE 24 V CA OPCIONAL.
- ⚠️ CONFIGURE EL TIPO DE SISTEMA PARA ÚNICAMENTE CALEFACCIÓN EN LA CONFIGURACIÓN DEL INSTALADOR.
- ⚠️ LOS TERMINALES R Y T5 ESTÁN CONECTADOS DE MANERA INTERNA.

MS25503

Fig. 19. ML6984 con termostato electrónico FocusPro™.

Reemplazo del ML784 o ML984

1. Los antiguos actuadores ML784 o ML984 no se pueden usar con los nuevos actuadores para válvula ML7984 en el mismo circuito, a menos que los modelos anteriores se alimenten a través de su propio transformador para evitar interferencias.
2. El ML7984 es un reemplazo directo para todos los ML784 y ML984 anteriores, excepto:
 - a. Cuando reemplace los modelos de acción inversa anteriores, no necesita invertir el cableado de entrada de señal a los nuevos dispositivos. Simplemente siga las designaciones de polaridad de los terminales y las configuraciones del interruptor DIP.
 - b. Cuando reemplace el actuador anterior que tiene un controlador electrónico "Supermod" de la serie 90; p. ej.: T775, W973, H775 o W7100, se debe quitar la resistencia de la interfaz anterior. El ML7984 de la serie 4000 funcionará directamente con el controlador sin la resistencia externa de 240 ohmios.
 - c. Cuando reemplace el ML784 (modelo mA) anterior en instalaciones de múltiples actuadores, se necesitarán resistencias. Use el Kit de resistencia (pieza N° 272822) y configure los interruptores DIP según corresponda. Consulte las Figuras 17 y 18.

Reemplazo del ML684A

1. El nuevo ML6984 es un reemplazo directo del ML684A anterior en un solo actuador o en una conexión de múltiples actuadores en paralelo. Los actuadores nuevos y anteriores se pueden mezclar en el mismo circuito eléctrico. Para múltiples actuadores controlados por un controlador común en paralelo, estos actuadores se deben cablear para que se desplacen en la misma dirección.
2. Cuando reemplace el ML684A1009 (80 libras fuerza) con este nuevo ML6984 en la válvula V5045, necesitará tener instalado el adaptador de válvula (pieza N° 272629A) en el vástago de la válvula y el ensamble del actuador.

NOTA: el módulo de retroalimentación de posición/interruptor auxiliar 272630D no se puede usar con la instalación de 3 cables del ML6984.
El 272630D necesita alimentación continua.

Reemplazo del ML6874

1. El ML6984 es el reemplazo directo del ML6874 anterior en la conexión de un solo actuador.
2. Para aplicaciones de actuadores ML6874 múltiples en paralelo, se debe usar un relé de aislamiento. Los contactos del relé de aislamiento se deben ubicar en el circuito de entrada de señal "W" y "B" del nuevo actuador ML6984.

Reemplazo de interruptores auxiliares para voltaje de línea

Estos accesorios ya no están disponibles. Reemplace el actuador anterior con el nuevo modelo y el módulo de retroalimentación de posición/interruptor auxiliar 272630D.

Haga funcionar el relé externo, como el R8845U, con la salida de bajo amperaje de SPDT ajustable en el 272630D.

Si necesita un segundo interruptor independiente de salida, cablee la señal de retroalimentación de posición de 2 a 10 V CC a un relé aprobado de voltaje controlado, ajustable.

VERIFICACIÓN

ML7984

1. Asegúrese que el vástago de la válvula esté completamente atornillado en el eje de accionamiento del actuador sin que se puedan observar roscas antes de conectar la energía.
2. Asegúrese que el vástago de la válvula esté asegurado en su lugar con el tornillo de fijación.
3. Asegúrese que los interruptores DIP de configuración estén colocados correctamente.
4. Con el suministro eléctrico de 24 V CA o 28 V CC conectado a los terminales T5 y T6, el funcionamiento del actuador se puede verificar conectando la señal de control apropiada (serie 70/90) del controlador a los terminales de entrada de señal (Figuras de la 8 a la 16). Para acción directa: se puede obtener una acción de modulación al aumentar la señal de control. El actuador se desplazará de arriba a abajo del vástago. Ante la falla de la señal (desconectada/sin señal), el actuador queda en la posición cerrada predeterminada. Para el actuador desde abajo del vástago completo hacia arriba del vástago completo. Ante la falla de la señal (desconectada/sin señal), el actuador queda en la posición abierta predeterminada.
5. Haga funcionar el sistema (válvula, actuador y controlador) durante varios ciclos para asegurarse que esté correctamente instalado.
6. Cuando la verificación se haya completado, regrese el controlador a la configuración deseada.

NOTA:

1. El dispositivo ignorará cualquier cambio de entrada hasta que haya completado su reposicionamiento relativo a la entrada de la señal inicial.
2. El módulo de retroalimentación de posición/interruptor auxiliar 272630D está inactivo durante la autocalibración.

ML6984: instalación de 5 cables

1. Asegúrese que el vástago de la válvula esté completamente atornillado en el eje de accionamiento del actuador sin que se puedan observar roscas antes de conectar la energía.
2. Asegúrese que el vástago de la válvula esté asegurado en su lugar con el tornillo de fijación.
3. Conecte el suministro eléctrico de 24 V CA o 28 V CC a los terminales T5 y T6.
4. Conecte R y B. El vástago de la válvula debe moverse hacia arriba.
5. Conecte R y W. El vástago de la válvula debe moverse hacia abajo.
6. Para el funcionamiento del control flotante, el vástago de la válvula de conexión R abierta debe permanecer en posición.
7. Conecte nuevamente todo el cableado del control.
8. Haga funcionar el sistema (válvula, actuador y controlador) durante varios ciclos para asegurarse de que está correctamente instalado.
9. Cuando la verificación se haya completado, regrese el controlador a la configuración deseada.

ML6984: instalación de 3 cables

1. Asegúrese que el vástago de la válvula esté completamente atornillado en el eje de accionamiento del actuador sin que se puedan observar roscas antes de conectar la energía.
2. Asegúrese que el vástago de la válvula esté asegurado en su lugar con el tornillo de fijación.
3. Conecte 24 V CA al terminal T6.
4. Anule manualmente el controlador para indicarle al actuador que se abra/cierre durante unos pocos ciclos para garantizar una instalación correcta.
5. Cuando la verificación se haya completado, regrese el controlador a la configuración deseada.

LOCALIZACIÓN Y SOLUCIÓN DE PROBLEMAS

Síntoma	Causas posibles	Acciones
El asiento de la válvula tiene una filtración o no cierra correctamente.	Se está usando un actuador incorrecto o la presión es demasiado alta en el cabezal del sistema.	1) Revise el rango de cierre de la válvula. 2) Revise el voltaje en los terminales del actuador.
	El actuador no está correctamente instalado.	Asegúrese que el vástago de la válvula esté completamente enroscado en el eje de accionamiento de latón y asegurado en el lugar con el tornillo de fijación.
	Configuraciones incorrectas del interruptor DIP.	Revise de acuerdo con la hoja de instrucciones del producto.
Motor ruidoso.	Falla del rodamiento debido a un recalentamiento.	1) Revise que no haya temperatura excesiva y reemplace el actuador completo. 2) Use el kit para altas temperaturas (43196000-001).
	Cepillos gastados.	Revise que no haya ciclos excesivos y reemplace el actuador.
El motor se recalienta/hay humo/se queman los componentes.	Falla del circuito de detección de corriente o falla de los componentes electrónicos.	Reemplace el actuador. Asegúrese de lo siguiente: 1) Se use el actuador correcto. 2) La instalación esté correcta. 3) El actuador no se ponga en funcionamiento antes de montarlo sobre la válvula de suministro. 4) El suministro de voltaje sea el correcto.
El ML no responderá.	Indicador LED (encendido):	
	Configuraciones incorrectas del interruptor DIP.	Revise de acuerdo con la hoja de instrucciones del producto.
	No se observa señal de control.	Revise el controlador.
	Conexiones de cableado incorrectas.	Revise de acuerdo con la hoja de instrucciones del producto.
	Demora interna.	Déle, al menos, entre 1/2 y 1 segundo al ML para que responda.
	Indicador LED (apagado):	
	No hay suministro eléctrico o es bajo.	Revise el voltaje en los terminales T5 y T6.
	Modo de error (daños en la caja de engranajes).	1) Revise el suministro eléctrico. 2) Revise el ciclo de calibración. 3) La distancia de la carrera de la válvula es de menos de 1/2 in (13 mm) o de más de 1-1/4 in (32 mm). 4) Reinicie el dispositivo a través de una desconexión momentánea de la energía en los terminales T5 y T6.
La señal de V CC/mA cae cuando se conecta al ML.	El ML7984 en modo de mA con entrada de voltaje.	Cambie la configuración del interruptor DIP.
	Degradación de la señal debido a una impedancia de carga incompatible.	Especificaciones de la impedancia de entrada del ML y salida.
El yugo del actuador se corroe.	Reacción galvánica debido a metales diferentes si se usa un perno en U de acero inoxidable con un yugo de aluminio.	Reemplace el perno en U con tuercas y un perno en U galvanizado.
La posición del actuador flotante "cambia" cuando se usa con un sistema de automatización de edificios.	No hay coincidencia entre la resolución del actuador (30 pasos) y el controlador del sistema de automatización de edificios.	1) Lea la posición actual de la válvula con el módulo de retroalimentación 272630D. 2) Vuelva a cablear el actuador para un control de 3 cables. 3) Programe el reinicio diario de la válvula.

ESPECIFICACIONES COMUNES

Los actuadores para válvulas se deben montar directamente en el sombrerete de la válvula, y deben ser autónomos y autoajustables.

Los actuadores de acoplamiento directo para válvulas deben estar disponibles con entradas de señal de control de modulación o flotante de 24 V CA o 28 V CC. El actuador se debe poder usar con suministro eléctrico común para múltiples actuadores y controladores.

El kit de voltaje de retroalimentación de posición/interruptor auxiliar de bajo amperaje, el adaptador de montaje, los kits para altas temperaturas y los kits de resistencias para la

aplicación de múltiples actuadores serán los accesorios opcionales para los actuadores de acoplamiento directo para válvulas.

Los actuadores de acoplamiento directo para válvulas deben tener un índice de rendimiento mínimo de 50,000 ciclos de carreras completas más 1,000,000 reposiciones documentadas en la bibliografía del producto.

La misma compañía debe fabricar tanto los actuadores de acoplamiento directo para válvulas como las válvulas.

By using this Honeywell literature, you agree that Honeywell will have no liability for any damages arising out of your use or modification to, the literature. You will defend and indemnify Honeywell, its affiliates and subsidiaries, from and against any liability, cost, or damages, including attorneys' fees, arising out of, or resulting from, any modification to the literature by you.

Automatización y control desenlace

Honeywell International Inc.
1985 Douglas Drive North
Golden Valley, MN 55422
customer.honeywell.com

© Marca Registrada en los Estados Unidos
© 2011 Honeywell International Inc.
Todos los derechos reservados
95C-10939EFS—03 K.K. Rev. 07-11
Impreso en Estados Unidos

Honeywell