

## Flow Switches – Liquid

### Series FS4-3 General Purpose Liquid Flow Switches

#### Components

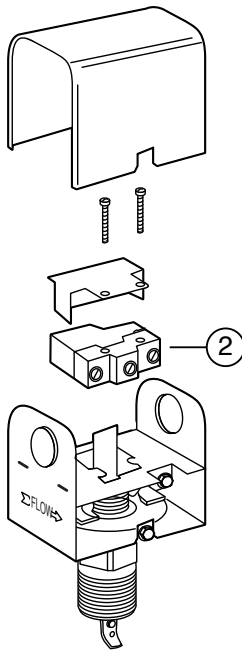
For Model	Item Number	Part Number	Model Number	Description	Weight lbs. (kg)
All models (except those below)	1	310451	FS4-15SS	Stainless steel paddle kit	0.1 (.05)
	2	305200	FS4-33	SPDT switch	0.3 (.14)
FS4-3D	3	305512	FS4-3D-17	SPDT switch	0.3 (.14)
	4	304300	FS1-17	SPDT switch (next to adjustment screw)	0.3 (.14)

Note: Paddle kits include screws and washers.

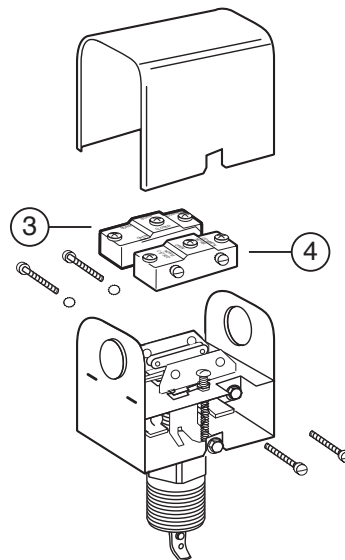


**Series FS4-3**

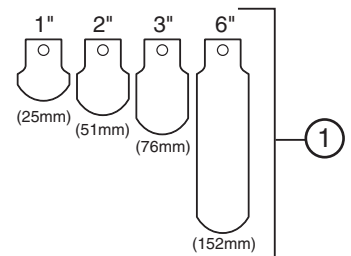
FLOW SWITCHES



**Series FS4-3**



**Series FS4-3D**



**Paddle Kit**