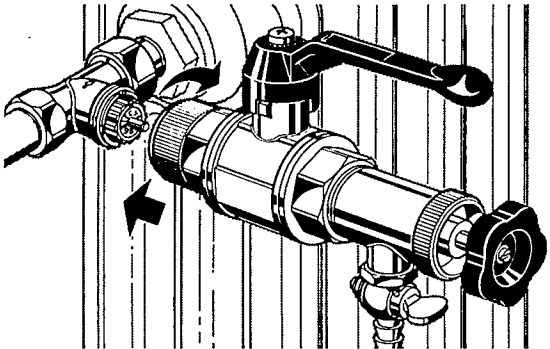
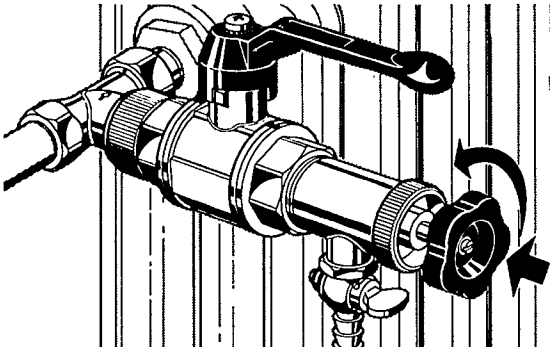


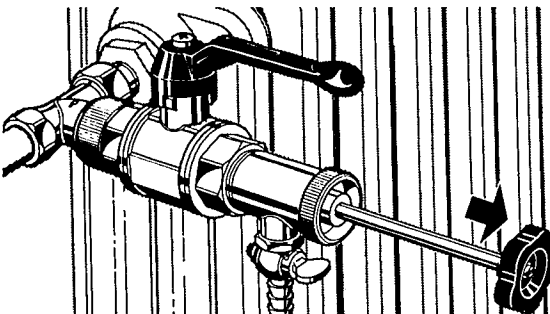
1. Remove control and loosen valve cartridge slightly (using MT110D tool for V110s or 19mm socket for V100s).



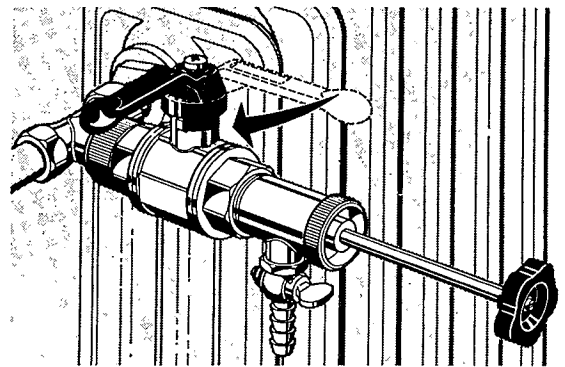
2. Tighten MT110C / MT108C Cartridge Changer to valve body, and close off drain cock.



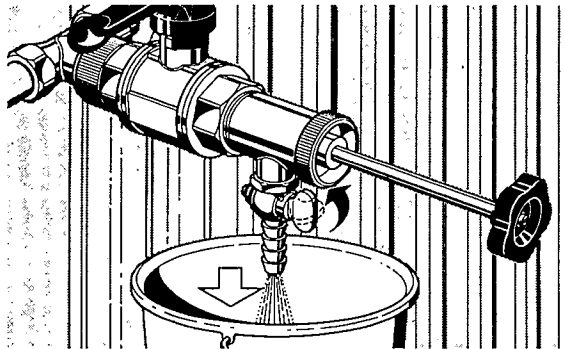
3. Turn tool handle counterclockwise to unscrew cartridge.



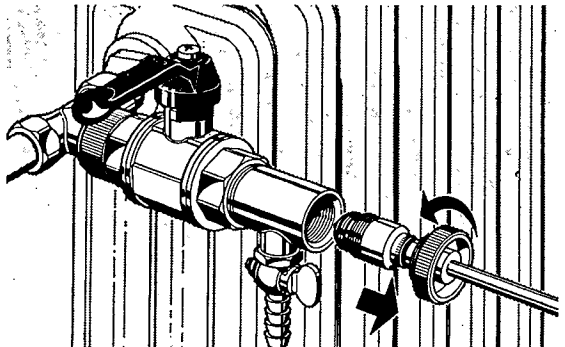
4. Pull out handle to clear ball valve portion of MT110C / MT108C.



5. Close off ball valve on MT110C / MT108C.



6. Open shut-off on drain cock, removing excess water and steam from chamber.



7. Unscrew end cap and remove cartridge from chamber. Clean or replace cartridge.

