

# GATE 1150 BRONZE

150 lb. SWP-300 lb. WOG† • General Service  
Solid Wedge Disc • Rising Stem  
Threaded Bonnet • Gland Packed • Threaded Ends

4" size has split wedge and bolted bonnet. It is not covered in MSS SP-80.

## SPECIFICATIONS

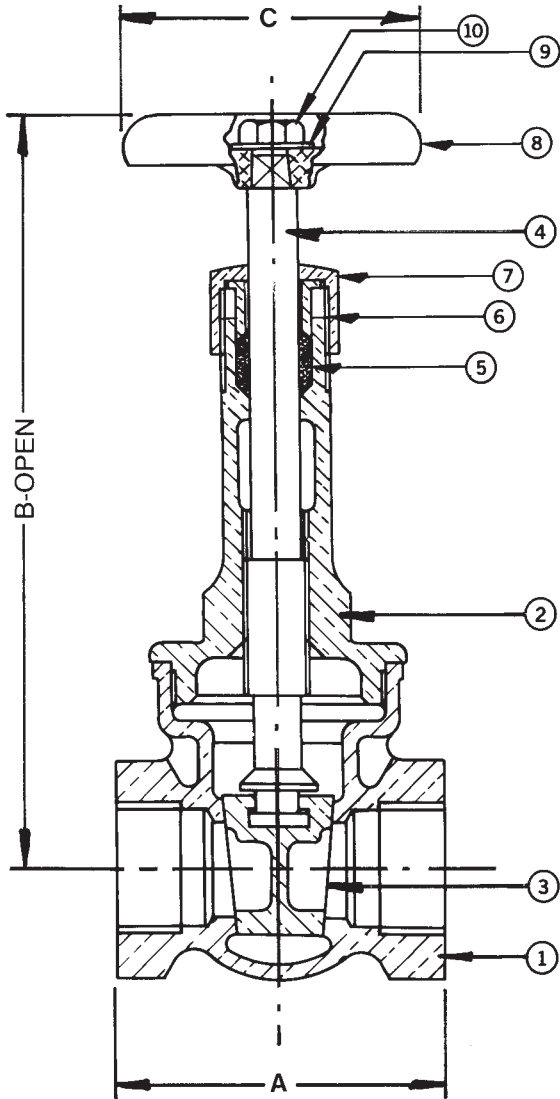
1150 Conforms to: MSS SP-80, Type 2,  
Class 150, Threaded Ends.

## MATERIAL LIST

NO.	PART	MATERIAL	SPECIFICATION
1	Body	Bronze	ASTM B 62
2	Bonnet	Bronze	ASTM B 62
3	Wedge Disc	Bronze	ASTM B 62
4	Stem	Bronze	ASTM B 62
5	Packing	Graphite	Commercial
6	Gland	Brass	ASTM B124 C37700
7	Packing Nut	Brass	ASTM B283 C37700
8	Handwheel	Mall. Iron	Commercial
9	Identification Plate	Aluminum	Commercial
10	Handwheel Nut	Brass	Commercial

## DIMENSIONS - INCHES / MILLIMETERS

Units	Size	A	B	C	C <sub>v</sub>
Inches	1/4	1.75	4.38	2.00	5.6
mm	6.4	44.5	111.1	50.8	5.6
Inches	3/8	1.81	4.38	2.00	10.7
mm	9.5	46.1	111.1	50.8	10.7
Inches	1/2	2.00	4.38	2.00	17.6
mm	12.7	51.0	111.1	50.8	17.6
Inches	3/4	2.13	5.84	2.50	32.0
mm	19.1	54.0	148.5	63.5	32.0
Inches	1	2.56	7.06	2.75	54.0
mm	25.4	65.1	179.5	69.9	54.0
Inches	1 1/4	2.78	8.78	3.13	97.0
mm	31.8	70.6	223.0	79.4	97.0
Inches	1 1/2	2.81	9.50	3.50	135.0
mm	38.1	71.5	241.3	88.9	135.0
Inches	2	3.31	11.50	3.75	230.0
mm	50.8	84.2	292.1	95.3	230.0
Inches	2 1/2	4.19	14.31	4.75	337.0
mm	63.5	106.4	363.6	120.7	337.0
Inches	3	4.63	16.63	5.25	536.0
mm	76.2	117.5	422.3	133.4	536.0
Inches	4	5.50	15.50	5.25	960.0
mm	101.6	139.7	393.7	133.4	960.0



Note: Not intended for use in potable water.

† Non-Shock

Rev 6

**INNOVATION** IN EVERY VALVE



**MILWAUKEE VALVE**

www.milwaukeevalve.com

The information presented on this sheet is correct at the time of publication. Milwaukee Valve reserves the right to change design, and/or material specifications without notice. For the Installation, Operation and Maintenance Manual (IOM) see the engineering section on our website. For the most current information access [www.milwaukeevalve.com](http://www.milwaukeevalve.com)

♻️ Printed on recycled paper with soy ink. 05/05