

GATE 1184 BRONZE

300 lb. SWP-1000 lb. WOG† • Heavy Duty Service
Solid Wedge Disc • Rising Stem • Stainless Seat • Gland Packed
Union Bonnet • Threaded Ends

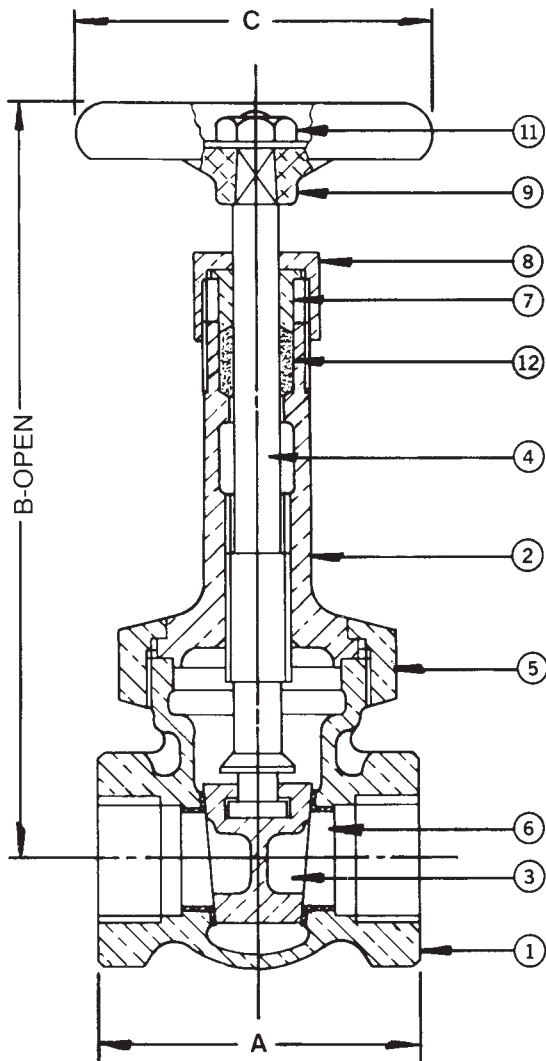
Wear-resistant stainless seat rings are securely expanded into the body to assure trouble-free service. Normal seating wear is restricted to the bronze wedge and can be easily replaced.

SPECIFICATIONS

| | |
|------|--|
| 1184 | Conforms to: MSS SP-80, Type 2, Class 300, Threaded Ends. |
|------|--|

MATERIAL LIST

| NO. | PART | MATERIAL | SPECIFICATION |
|-----|----------------------|------------|-------------------|
| 1 | Body | Bronze | ASTM B 61 |
| 2 | Bonnet | Bronze | ASTM B 61 |
| 3 | Wedge Disc | Bronze | ASTM B 61 |
| 4 | Stem | Bronze | ASTM B 61 |
| 5 | Union Bonnet Nut | Bronze | ASTM B 61 |
| 6 | Seat Ring | St. Steel | ASTM A 240 TY304 |
| 7 | Gland | Brass | ASTM B 124 C37700 |
| 8 | Packing Nut | Brass | ASTM B 283 C37700 |
| 9 | Handwheel | Mall. Iron | Commercial |
| 10 | Identification Plate | Aluminum | Commercial |
| 11 | Handwheel Nut | Brass | Commercial |
| 12 | Packing | Graphite | Commercial |



Note: Not intended for use in potable water.

| DIMENSIONS - INCHES / MILLIMETERS | | | | | |
|-----------------------------------|-------|-------|-------|-------|----------------|
| UNITS | SIZE | A | B | C | C _v |
| Inches | 1/4 | 1.81 | 5.13 | 2.25 | 5.6 |
| mm | 6.4 | 46.1 | 130.2 | 57.2 | 5.6 |
| Inches | 3/8 | 1.88 | 5.13 | 2.25 | 10.7 |
| mm | 9.5 | 47.6 | 130.2 | 57.2 | 10.7 |
| Inches | 1/2 | 2.25 | 5.50 | 2.50 | 17.6 |
| mm | 12.7 | 57.2 | 139.7 | 63.5 | 17.6 |
| Inches | 3/4 | 2.50 | 6.25 | 2.75 | 32.0 |
| mm | 19.1 | 63.5 | 158.8 | 69.9 | 32.0 |
| Inches | 1 | 3.00 | 7.19 | 2.75 | 54.0 |
| mm | 25.4 | 76.2 | 182.6 | 69.9 | 54.0 |
| Inches | 1 1/4 | 3.38 | 8.56 | 3.25 | 97.0 |
| mm | 31.8 | 85.8 | 217.5 | 82.6 | 97.0 |
| Inches | 1 1/2 | 3.50 | 9.63 | 3.75 | 135.0 |
| mm | 38.1 | 88.9 | 244.5 | 95.3 | 135.0 |
| Inches | 2 | 3.75 | 11.75 | 4.25 | 230.0 |
| mm | 50.8 | 95.3 | 298.5 | 108.0 | 230.0 |
| Inches | 2 1/2 | 4.63 | 14.50 | 4.75 | 337.0 |
| mm | 63.5 | 117.5 | 368.3 | 120.7 | 337.0 |
| Inches | 3 | 5.00 | 16.75 | 5.50 | 536.0 |
| mm | 76.2 | 127.0 | 425.5 | 139.7 | 536.0 |

† Non-Shock

Rev. 6

INNOVATION IN EVERY VALVE



MILWAUKEE VALVE

The information presented on this sheet is correct at the time of publication. Milwaukee Valve reserves the right to change design, and/or material specifications without notice. For the Installation, Operation and Maintenance Manual (IOM) see the engineering section on our website. For the most current information access www.milwaukeevalve.com

www.milwaukeevalve.com