

# CHECK 507

## HORIZONTAL SWING – BRONZE

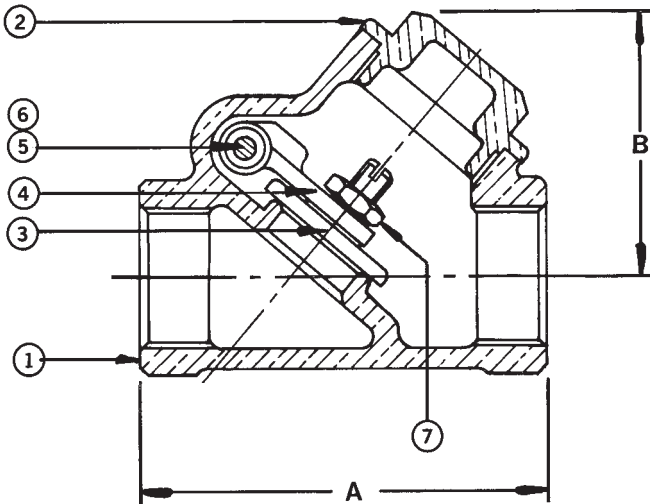
300 lb. SWP-600 lb. WOG†  
Bronze Regrinding Disc • Y-Pattern • Threaded Ends

### SPECIFICATIONS

507	Conforms to: MSS SP-80. Type 3, Class 300, Threaded Ends.
-----	--------------------------------------------------------------

### MATERIAL LIST

NO.	PART	MATERIAL	SPECIFICATION
1	Body	Cast Bronze	ASTM B 61
2	Cap	Cast Bronze	ASTM B 61
3	Disc	Cast Bronze	ASTM B 61
4	Lever	Cast Bronze	ASTM B 61
5	Pin	St. Steel	Commercial
6	Plug	Rod Brass	ASTM B 16
7	Retaining Ring	St. Steel	ASTM A276 TY 304



DIMENSIONS - INCHES / MILLIMETERS				
Units	Size	A	B	C <sub>v</sub>
Inches	1/4	2.25	1.63	2.3
mm	6.4	57.2	41.3	
Inches	3/8	2.25	1.63	4.3
mm	9.5	57.2	41.3	
Inches	1/2	2.63	1.75	7.2
mm	12.7	66.7	44.5	
Inches	3/4	3.00	1.94	13.0
mm	19.1	76.2	49.2	
Inches	1	3.69	2.50	22.0
mm	25.4	93.7	63.5	
Inches	1 1/4	4.38	3.00	39.0
mm	31.8	111.1	76.2	
Inches	1 1/2	4.63	3.31	56.0
mm	38.1	130.2	84.1	
Inches	2	5.88	4.00	92.0
mm	50.8	149.2	101.6	
Inches	2 1/2	7.00	4.75	150.0
mm	63.5	177.8	120.7	
Inches	3	7.88	5.50	240.0
mm	76.2	200.0	127.0	

Note: Not intended for use in potable water.

† Non-Shock

Rev. 8

**INNOVATION** IN EVERY VALVE



**MILWAUKEE VALVE**

The information presented on this sheet is correct at the time of publication. Milwaukee Valve reserves the right to change design, and/or material specifications without notice. For the Installation, Operation and Maintenance Manual (IOM) see the engineering section on our website. For the most current information access [www.milwaukeevalve.com](http://www.milwaukeevalve.com)

[www.milwaukeevalve.com](http://www.milwaukeevalve.com)