

# GLOBE 590T BRONZE

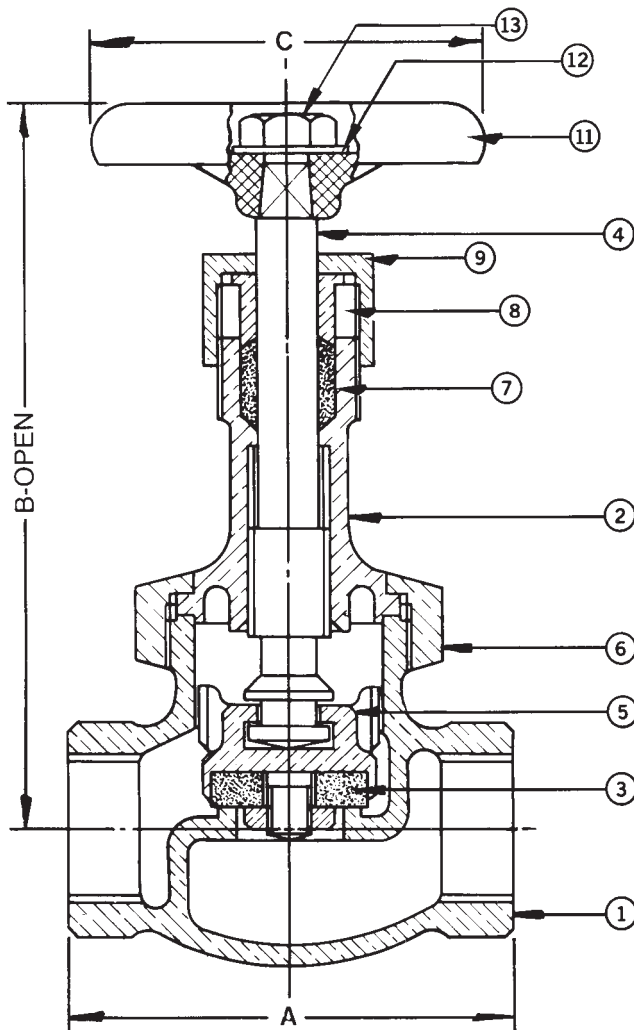
150 lb. SWP-300 lb. WOG† • Heavy Duty Service • Teflon Disc  
Union Bonnet • Gland Packed • Threaded Ends

## SPECIFICATIONS

590T	Conforms to: MSS SP-80, Type 2, Class 150, Threaded Ends.
------	--

## MATERIAL LIST

NO.	PART	MATERIAL	SPECIFICATION
1	Body	Bronze	ASTM B 62
2	Bonnet	Bronze	ASTM B 62
3	Disc	Teflon	
4	Stem	Bronze	ASTM B 62
5	Disc Holder	Bronze	ASTM B 16 1/4" to 3/4" ASTM B 62 1" and 3" Incl.
6	Union Bonnet Nut	Bronze	ASTM B 62
7	Packing	Graphite	Commercial
8	Gland	Brass	ASTM B 124 C37700
9	Packing Nut	Brass	ASTM B 283 C37700
10	Disc Nut	Bronze	Commercial
11	Handwheel	Mall. Iron	Commercial
12	Identification Plate	Aluminum	Commercial
13	Handwheel Nut	Brass	Commercial



Note: Not intended for use in potable water.

## DIMENSIONS - INCHES / MILLIMETERS

Units	Size	A	B	C	C <sub>v</sub>
Inches	1/8	2.06	3.94	2.00	0.61
mm	3.2	52.4	100.1	50.8	
Inches	1/4	2.06	3.94	2.00	1.16
mm	6.4	52.4	100.1	50.8	
Inches	3/8	2.06	4.25	2.00	2.21
mm	9.5	52.4	108.0	50.8	
Inches	1/2	2.44	4.56	2.50	3.64
mm	12.7	61.9	116.0	63.5	
Inches	3/4	2.94	5.19	2.75	6.65
mm	19.1	74.6	131.8	69.9	
Inches	1	3.44	5.50	3.13	11.10
mm	25.4	87.3	139.7	79.4	
Inches	1 1/4	3.88	6.25	3.50	20.00
mm	31.8	98.4	158.8	88.9	
Inches	1 1/2	4.50	7.13	3.75	28.00
mm	38.1	114.3	181.0	95.3	
Inches	2	5.75	8.88	4.75	48.00
mm	50.8	146.1	225.5	120.7	
Inches	2 1/2	6.75	10.63	5.25	70.00
mm	63.5	171.5	269.9	133.4	
Inches	3	8.00	12.13	6.00	111.00
mm	76.2	203.2	308.0	152.4	

† Non-Shock

Rev. 6

**INNOVATION** IN EVERY VALVE



**MILWAUKEE VALVE**

The information presented on this sheet is correct at the time of publication. Milwaukee Valve reserves the right to change design, and/or material specifications without notice. For the Installation, Operation and Maintenance Manual (IOM) see the engineering section on our website. For the most current information access [www.milwaukeevalve.com](http://www.milwaukeevalve.com)

[www.milwaukeevalve.com](http://www.milwaukeevalve.com)