



The TM Series Turbine Meter is a horizontal Woltman-type with a long life design suited for low flows and moderate to high flows of non-potable water. The TM Series meters comply with all performance requirements of ISO 4064. Low frequency pulse output is available where remote metering is required. The TM series is intended for horizontal installation.

- Long Life Design
- Sealed Register
- Removable Measurement Mechanism
- Low Pressure Loss
- LF output

Technical Characteristics

MATERIALS.....Meter Body.....Cast Iron, Epoxy Coating
 Turbine.....Plastic

FLANGES.....150# ANSI

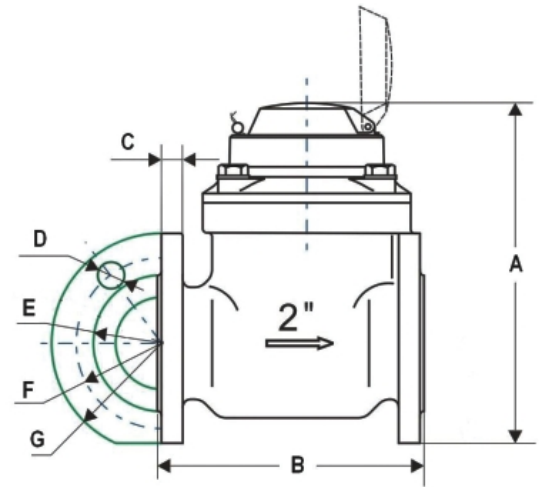
MAX PRESSURE230 psi

MAX TEMP.....Cold104° F

ACCURACYAbove Transition*+/- 2%
 Below Transition*+/- 5%

PULSE.....Low.....24Vac/dc @ 100mA

PULSE WEIGHTLow.....2" 1pulse/10Gal; 3"-8" 1pulse/100Gal



FLOW RATE (gpm)					
Nom. Diam.	2"	3"	4"	6"	8"
Minimum	2	5.3	8	20	33
Continuous	66	176	264	660	1100
Maximum	132	352	528	1320	2200
Transition *	13	35	53	132	220

DIMENSIONS					
Size	2"	3"	4"	6"	8"
A	10.0"	10.9"	11.3"	13.6"	14.7"
B	7.9"	8.9"	9.8"	11.8"	13.8"
C	0.63"	0.75"	0.95"	1.0"	1.1"
D	0.75"	0.75"	0.75"	0.88"	2.0"
E	3.6"	5.0"	6.2"	8.5"	10.6"
F	4.75"	6.0"	7.5"	9.5"	11.75"
G	6.5"	7.5"	9.0"	11.0"	13.5"
Wt-lb	26	35	39	84	112

* The flow rate change from +/- 2% to +/-5% of reading.