

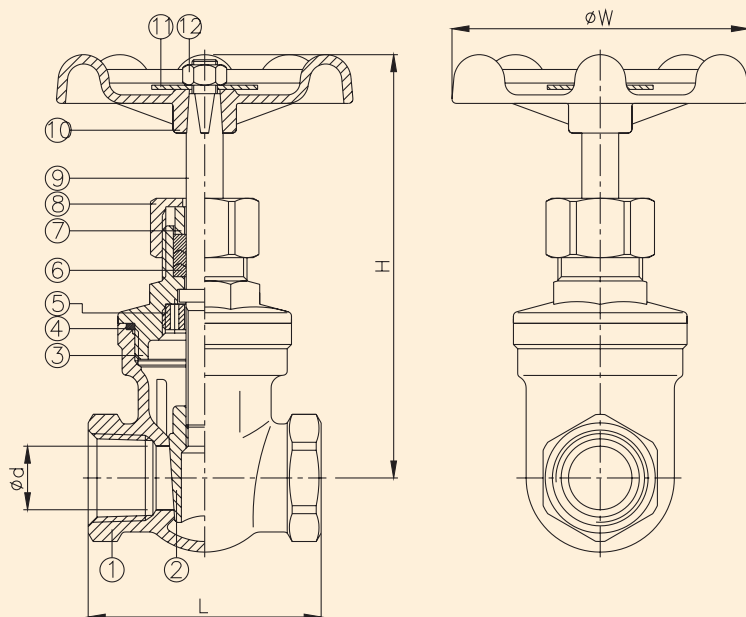
OVC# SS200GT

Screwed End Gate Valve

Features

- 1/2" ~ 3" (DN15 ~ DN80)
- W.P. : 200 WOG
- W.T. : -20°C~200°C (-4°F~392°F)
- Investment casting
- Non-rising stem

- Thread type: ASME B1.20.1 (NPT)
DIN2999 & BS21
ISO7/1 & EN10226



NO.	DESCRIPTION	MATERIAL	
1	BODY	ASTM A351-CF8M	ASTM A351-CF8
2	DISC	ASTM A351-CF8M	ASTM A351-CF8
3	BONNET	ASTM A351-CF8M	ASTM A351-CF8
4	SEAL	PTFE	
5	GASKET	AISI 304	
6	PACKING	PTFE	
7	GLAND RING	AISI 304	
8	CAP NUT	ASTM A351-CF8M	
9	STEM	AISI 316	AISI 304
10	EYE HANDLE	ALUMINUM	
11	NAMEPLATE	ALUMINUM	
12	NUT	AISI 304	

NPS	d	L	H	W	Wt./Lbs.
1/2"	0.59	2.17	3.98	2.76	1
3/4"	0.75	2.36	4	2.76	1.2
1"	0.98	2.56	4.65	3.15	1.5
1-1/4"	1.26	2.95	5.2	3.15	2.2
1-1/2"	1.5	3.35	5.87	3.54	3.1
2"	1.97	3.74	6.89	3.94	5
2-1/2"	2.56	4.57	8.39	3.94	12.8
3"	3.15	5.12	9.49	5.51	19.4

* Other sizes available upon request.

TOLL FREE (877) 423-2660 • (513) 752-5600 • FAX (513) 752-8267
EMAIL sales@ohiovalve.com • WEB www.ohiovalve.com