

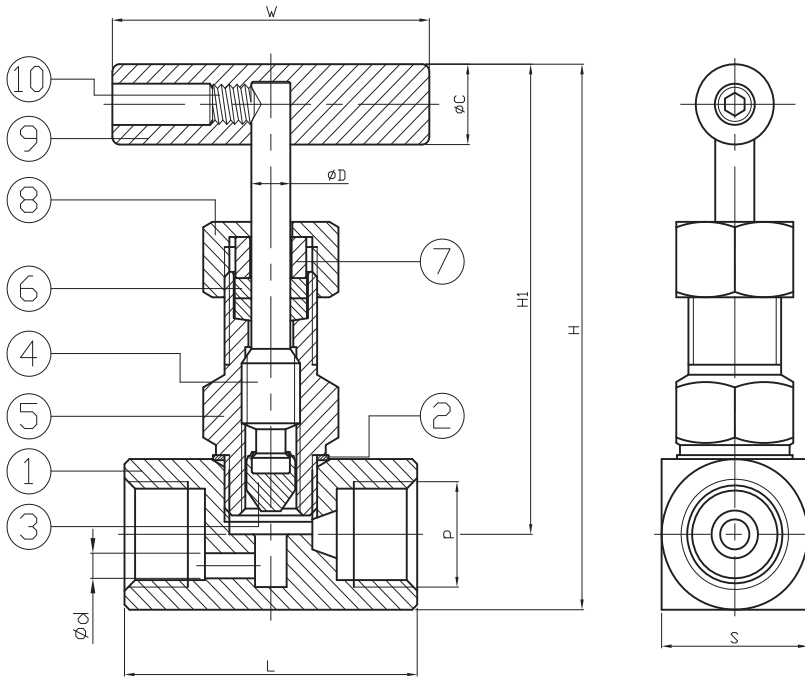
NEEDLE VALVE

SS6MNV

FEATURES



- 1/2"~3" (DN15~DN80)
- W.P : 6000 PSI
- W.T : -20°C~200°C (-4°C~392°C)
- Thread type : ASME B1.20.1 (NPT)
DIN2999 & BS21
ISO7/1 & EN10226



ITEM	PARTS	MATERIAL
1	BODY	SS 316
2	BODY SEAL	PTFE
3	DISC	SS 316
4	STEM	
5	BONNET	
6	PACKING	PTFE
7	GLAND	SS 316
8	PACKING NUT	
9	HANDLE	SS 410
10	FIXING SCREW	ALLOY STEEL

DN	d	L	H	H1	W	S	C	D	P	Torque (N-M)	Weight (kg)
8	3	45	82	65	60	22	13	7	1/4"	1.4	0.3
10	3	50	85	67	60	25	13	7	3/8"	1.4	0.3
15	5	60	107	86	65	30	16	8	1/2"	1.7	0.5
20	5	65	111	88	65	35	16	8	3/4"	1.7	0.7
25	7	83	130	100	80	46	19	10	1"	2.2	1.4

unit:mm

NPS	d	L	H	H1	W	S	C	D	P	Torque (in-lb)	Weight (lb)
1/4"	0.12	1.77	3.23	2.56	2.36	0.87	0.51	0.28	1/4"	12.4	0.6
3/8"	0.12	1.97	3.35	2.64	2.36	0.98	0.51	0.28	3/8"	12.4	0.7
1/2"	0.2	2.36	4.21	3.39	2.56	1.18	0.63	0.31	1/2"	14.7	1.2
3/4"	0.2	2.56	4.37	3.46	2.56	1.38	0.63	0.31	3/4"	14.7	1.5
1"	0.28	3.27	5.12	3.94	3.15	1.81	0.75	0.39	1"	19.2	3.1

unit:in