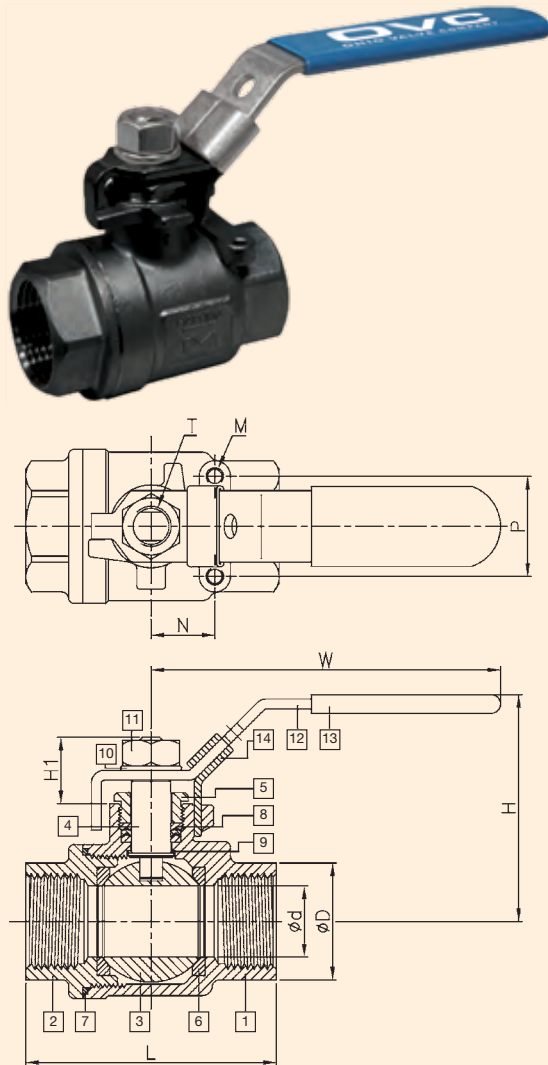


Carbon Steel Ball Valve

2-Piece Full Port Ball Valve, 1000WOG, NPT Threaded Ends

Pressure/Temperature rating in accordance with ASME B 16.34. See Pressure/Temperature chart.



Features

- ISO 9002
- The thread ends conform to ASME B 1.20.1 (NPT)
- Investment casting
- Blow-out proof stem
- Full port
- 1000 psi W.O.G.
- 15% glass fiberfill PTFE reinforced seat
- PTFE seal & packing
- Mounting pad drilled & tapped 1/4, 3/8, & 1/2 only
- Latch lock handle
- All valves tested and inspected to API-598

NO.	DESCRIPTION	MATERIAL
1	BODY	ASTM A216-WCB
2	CAP	ASTM A216-WCB
3	BALL	ASTM A351-CF8M
4	STEM	ASTM A276-316
5	GLAND	AISI 304
6	SEAT	RTFE
7	SEAL	PTFE
8	PACKING	PTFE
9	THRUST WASHER	PTFE
10	SPRING WASHER	AISI 304
11	NUT	AISI 304
12	HANDLE	AISI 304
13	HANDLE SLEEVE	PVC
14	LOCKING DEVICE	AISI 304

SIZE	d	D	L	H	H1	T	W	N	P	M	Torque (in-lb)	Weight (lb)
1/4"	0.46	0.75	2.00	2.30	0.71	3/8"-24UNF	3.94	0.50	1.12	3/16"	31	0.50
3/8"	0.49	0.89	2.00	2.30	0.71	3/8"-24UNF	3.94	0.50	1.12	3/16"	36	0.50
1/2"	0.59	1.02	2.28	2.30	0.73	3/8"-24UNF	3.94	0.50	1.12	3/16"	49	0.70
3/4"	0.79	1.26	2.58	2.50	0.89	7/16"-20UNF	4.92	-	-	-	67	1.00
1"	0.98	1.50	3.10	3.07	0.98	7/16"-20UNF	5.87	-	-	-	98	1.70
1-1/4"	1.26	1.89	3.54	3.27	1.02	7/16"-20UNF	5.87	-	-	-	133	2.50
1-1/2"	1.50	2.16	4.13	4.02	1.18	1/2"-20UNF	7.48	-	-	-	177	3.90
2"	1.97	2.64	4.88	4.25	1.18	1/2"-20UNF	7.48	-	-	-	354	5.90
2-1/2"	2.48	3.35	5.75	5.43	1.57	3/4"-10UNF	9.84	-	-	-	531	12.40
3"	2.99	3.94	6.46	5.75	1.57	3/4"-10UNF	9.84	-	-	-	753	16.50

Note: Actual torque values may vary. Please consult factory.