

PRO¹

T755(S)

Pro1 Technologies

P.O. Box 3377
Springfield, MO 65808-3377

Toll Free: 888-776-1427

Web: www.pro1iaq.com

Hours of Operation: M-F 9AM - 6PM Eastern

Thermostat Application Guide

Description	
Gas or Oil Heat	Yes
Electric Furnace	Yes
Heat Pump (No Aux. or Emergency Heat)	Yes
Heat Pump (With Aux. or Emergency Heat)	Yes
Multi-Stage Systems	Yes
Heat Only Systems	Yes
Cool Only Systems	Yes
Millivolt	Yes

Power Type

Battery Power
Hardwire (Common Wire)
Hardwire (Common Wire) with Battery Backup

A trained, experienced technician must install this product.

Carefully read these instructions. You could damage this product or cause a hazardous condition if you fail to follow these instructions.

Una version en español de este manual se puede descargar en la pagina web de la compañía.

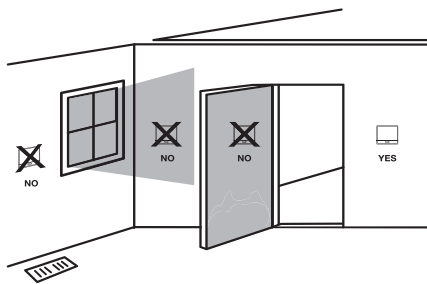
Table of Contents

Page

Installation Tips	2-3
Thermostat Quick Reference	4-5
Wiring	6
Wiring Diagrams	7-9
Features	10
Technician Setup	11-19
Programming Thermostat	20-23
Specifications	24

Wall Locations

The thermostat should be installed approximately 4 to 5 feet above the floor. Select an area with average temperature and good air circulation.



Installation Tip

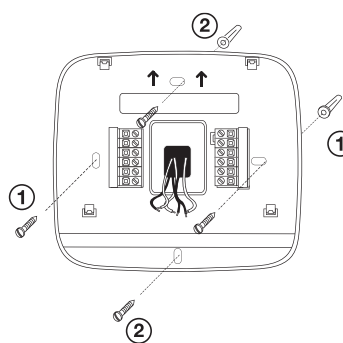
Pick an installation location that is easy for the user to access. The temperature of the location should be representative of the building.

Do not install thermostat in locations:

- Close to hot or cold air ducts
- That are in direct sunlight
- With an outside wall behind the thermostat
- In areas that do not require conditioning
- Where there are dead spots or drafts (in corners or behind doors)
- Where there might be concealed chimneys or pipes

Subbase Installation

- ① Horizontal Mount
- ② Vertical Mount



For vertical mount put one screw on the top and one screw on the bottom.
For horizontal mount put one screw on the left and one screw on the right.



Installation Tip: Electrical Hazard

Failure to disconnect the power before beginning to install this product can cause electrical shock or equipment damage.



Mercury Notice

All of our products are mercury free. However, if the product you are replacing contains mercury, dispose of it properly. Your local waste management authority can give you instructions on recycling and proper disposal.

① © U.S. Registered Trademark. Patents pending
Copyright © 2022 All Rights Reserved.

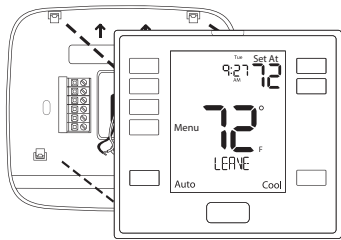
Rev. 2212

②

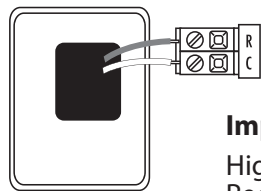
Installation Tips

Mount Thermostat

Align the 4 tabs on the subbase with corresponding slots on the back of the thermostat, then push gently until the thermostat snaps in place.



Battery Installation

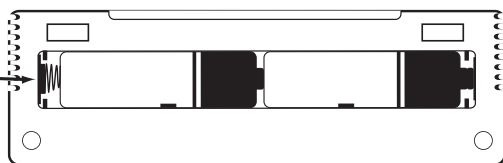


Battery installation is optional if thermostat is hardwired (R and C terminal connected to 24V power).

Important:

High quality alkaline batteries are recommended. Rechargeable batteries or low quality batteries do not guarantee a 1-year life span.

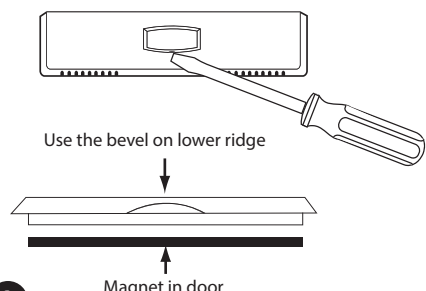
Insert 2 AA Alkaline batteries (included). High quality alkaline batteries are recommended.



Located on the back of the thermostat.

About The Private Label Badge

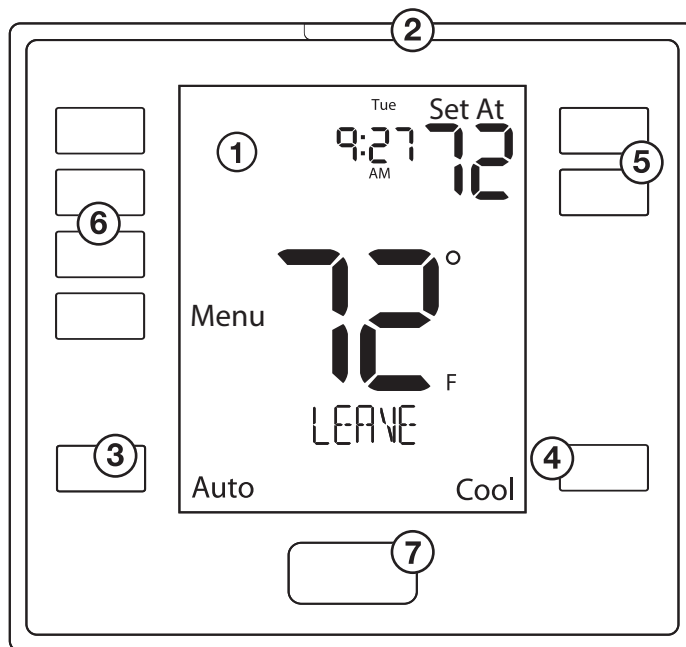
All of our thermostats use the same universal magnetic badge. Visit the company website to learn more about our free private label program.



Gently slide a screwdriver into the bottom edge of the badge. Gently turn the screwdriver counter clockwise. The badge is held on by a magnet in the well of the battery door. The badge should pry off easily. **DO NOT USE FORCE.**

Thermostat Quick Reference

Getting to know your thermostat

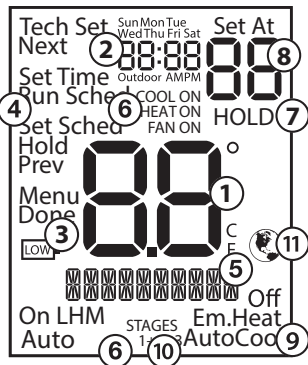


- ① LCD Display
- ② Glow in the dark light button
- ③ Fan Button
- ④ System Button
- ⑤ Temperature Setpoint Buttons
- ⑥ User Buttons
- ⑦ Private Label Badge

③

④

Getting to know your thermostat



- 1 **Indicates the current room temperature**
- 2 **Time and day of the week**
- 3 **Low Battery Indicator:** Replace batteries when this indicator is shown.
- 4 **Menu Options:** Shows different options.
- 5 **Program Time Periods:** This thermostat has 4 programmable time periods per day.
- 6 **System Operation Indicators:** The COOL ON , HEAT ON or icon will display when the COOL, HEAT, or fan is on. **The compressor delay feature is active if these are flashing.**
- 7 **Hold** is displayed when the thermostat program is permanently overridden.
- 8 **Setpoint:** Displays the selected setpoint temperature.
- 9 **System:** Indicates current mode of operation.
- 10 **Stages:** Stage 1 will appear on the display when the 1st stage of heat or cool is on. +2 will appear on the display when the 2nd stage of heat or cool is on. +3 will appear on the display when the 3rd stage of heat or cool is on.
- 11 **Globe:** Globe is displayed if an energy efficient temperature has been selected.

Wiring

1. If you are replacing a thermostat, make note of the terminal connections on the thermostat that is being replaced. In some cases the wiring connections will not be color coded. For example, the green wire may not be connected to the **G** terminal.
2. Loosen the terminal block screws. Insert wires then retighten terminal block screws.
3. Place nonflammable insulation into wall opening to prevent drafts.



Caution:
Electrical Hazard

Failure to disconnect the power before beginning to install this product can cause electrical shock or equipment damage.



Warning:

All components of the control system and the thermostat installation must conform to Class II circuits per the NEC Code.

Terminal	2 Heat 2 Cool Conventional System	2 Heat 2 Cool Heat Pump System	3 Heat 2 Cool Heat Pump System
RC	Transformer power (cooling)	Transformer power (cooling)	Transformer power (cooling)
RH	Transformer power (heating)	Transformer power (heating)	Transformer power (heating)
C	Transformer common	Transformer common	Transformer common
B	Energized in heating	Heat pump changeover valve energized in heating	Heat pump changeover valve energized in heating
O	Energized in cooling	Heat pump changeover valve energized in cooling	Heat pump changeover valve energized in cooling
G	Fan relay	Fan relay	Fan relay
W/E	First stage of heat	First stage of emergency heat	First stage of emergency heat
W2	Second stage of heat	Auxiliary heat relay, second stage of heat	Auxiliary heat relay, third stage of heat
Y	First stage of cool	First stage of heat & cool	First stage of heat & cool
Y2	Second stage of cool	Second stage of cool	Second stage of cool & second stage of heat
S1/S2	Remote Sensor	Remote Sensor	Remote Sensor

Important

The low battery indicator is displayed when the AA battery power is low. If the user fails to replace the battery within 21 days, the screen will only show the low battery indicator but maintain all functionality. If the user fails to replace the batteries after an additional 21 days (days 22-42 since first "low battery" display) the setpoints will change to 55°F (Heating) and 85°F (Cooling). If the user adjusts the setpoint away from either of these, it will hold for 4 hours then return to either 55°F or 85°F. After day 63 the batteries must be replaced immediately to avoid freezing or overheating because the thermostat will shut the unit off until the batteries are changed.

Wiring Diagrams

Wiring Diagrams

Wiring Tips

C Terminal

The C (common wire) terminal does not have to be connected when the thermostat is powered by batteries.

Wire Specifications

Use shielded or non-shielded 18-22 gauge thermostat wire.



Installation Tip: Do not overtighten terminal block screws, as this can damage the terminal block. A damaged terminal block can keep the thermostat from fitting on the subbase correctly or cause system operation issues. **Max Torque = 6in-lbs.**



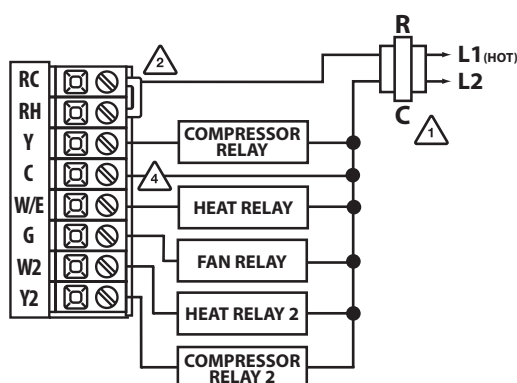
Note: This thermostat is hardwire powered when the 24V transformer is connected to the Common and **RC terminals** of the thermostat.



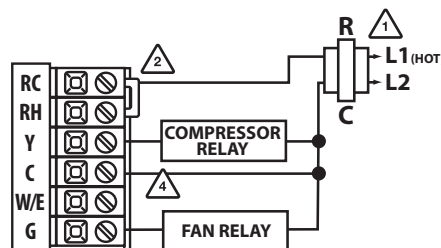
Note: In many systems with no emergency heat relay a jumper can be used between E and W2.

- 1 Power supply
- 2 Factory - installed jumper. Remove only when installing on a 2 transformer systems.
- 3 Use either O or B terminals for changeover valve.
- 4 Optional 24 VAC common connection when thermostat is used in battery power mode.

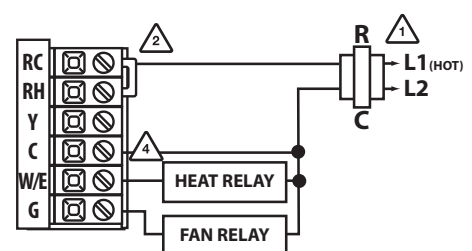
Typical 2H/2C System: 1 Transformer



Typical Cool-Only System With Fan



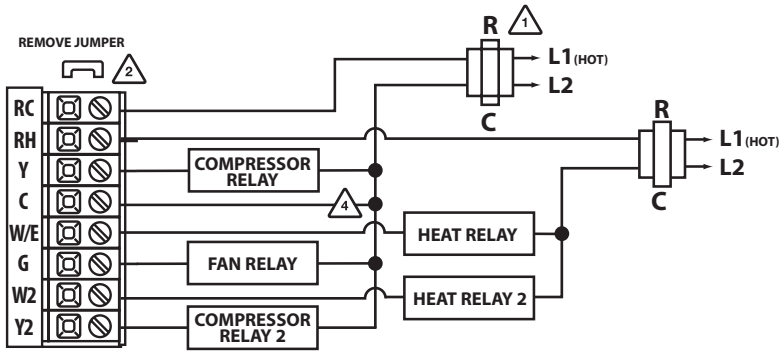
Typical Heat Only System With Fan



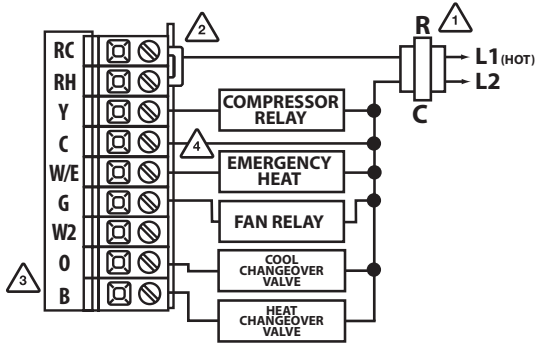
Note:

In many systems with no emergency heat relay a jumper can be installed between W/E and W2.

Typical 2H/2C System: 2 Transformer



Typical 2H/1C Heat Pump System



Temporary and Permanent Hold Feature (If using programming)

When cool or heat is turned on, the thermostat will display **HOLD** and **RUN SCHED** on the left of your screen when you press the **+** or **-** button.

Temporary Hold: At this time if you do nothing, the temperature will remain at this setpoint temporarily for 4 hours.

Permanent Hold: If you press the **HOLD** key on the left of your screen, you will see **HOLD** appear below the setpoint temperature in the display. The thermostat will now permanently stay at this setpoint and can be adjusted using the **+** or **-** keys.

To Return to Running Schedule: Press the **RUN SCHED** button on the left of your screen to exit either temporary or permanent hold.

Filter Change Reminder

If your installing contractor has configured the thermostat to remind you when the air filter needs to be changed, you will see **FILT** in the display when your air filter needs to be changed.

Resetting the filter change reminder: When **FILT** reminder is displayed, you should change your air filter and reset the reminder by holding down the second button from the top left side of the thermostat for 3 seconds.

Tech Settings

Tech Settings

Technician Setup Menu

This thermostat has a technician setup menu for easy installer configuration. To set up the thermostat for your particular application:

1. Press the **MENU** button.
2. Press and hold the **TECH SET** button for 3 seconds. This 3 second delay is designed so that homeowners do not accidentally access the installer settings.
3. Configure the installer options as desired using the table below.

Use the **+** or **-** keys to change settings and the **NEXT** or **PREV** key to move from one step to another.

Note: Only press the **DONE** key when you want to exit the Technician Setup options.

4. Press the **DONE** key to exit.

Tech Setup Steps	LCD Will Show	Adjustment Options	Default
Filter Change Reminder	OF FILT	You can adjust the filter change reminder from "OFF" to 2000 hours of runtime in 50 hour increments.	OFF
Room Temperature Calibration	0 CAL	You can adjust the room temperature display to read up to 4° above or below the factory calibrated reading.	0°F
Cooling Swing	0.5 COOL SWING	The cooling swing setting is adjustable from 0.2° to 2°. For example: A swing setting of 0.5° will turn the cooling on at approximately 0.5° above the setpoint and turn the cooling off at approximately 0.5° below the setpoint.	0.5°

Tech Settings	LCD Will Show	Adjustment Options	Default
Heating Swing	0.4 HEAT SWING	The swing setting often called "cycle rate", "differential", or "anticipation" is adjustable. A smaller swing setting will cause more frequent cycles and a larger swing setting will cause fewer cycles.	0.4°
PTAC Mode	OF PTAC MODE	This setting allows the thermostat to operate a PTAC. This will allow for multiple fan speeds selectable in the next two tech settings.	ON
PTAC Fan Speeds	2 FAN SPEEDS	This setting allows you to choose the number of fan speeds the thermostat will control. G = Low Speed Fan B/O = Medium Speed Fan Y2 = High Speed Fan	2
PTAC Medium Fan Speed Terminal	0 MED FAN TERM	This setting will select the terminal for medium fan speed operations. The selected terminal cannot be used for reversing valve operations when heat pump is enabled.	0
Heat Pump	OF HEAT PUMP	When turned on the thermostat will operate a heat pump. EM. Heat will show as an option in the system switch tech setting. Use the + and - button to adjust.	OFF

Swing Setting Tip

The second stage will turn on at 2x the swing setting. The second stage will turn off when 1x the swing is reached. For example, if the swing setting is .5 degrees for heating and the thermostat is set at 70°F, the first stage will turn on at approximately 69.5°F. The second stage will turn on at 69°F. The second stage will turn off at 69.5°F and the first will turn off at 70.5°F. If the third stage is used, it will turn on at 68.5°F and turn off at approximately 69°F.

Tech Settings

Tech Settings	LCD Will Show	Adjustment Options	Default
System Stages This setting allows you to select the number of heat and cool stages.	2H2C SET STAGES	Use the $\boxed{+}$ and $\boxed{-}$ buttons to select 1H/1C, 2H/1C, 2H/2C, 3H/1C, 3H/2C, 4H/2C. Note: Heat and cool choices are limited based on conventional, heat pump, or PTAC system configuration.	2H
System Set You can configure the system switch for the particular application. Heat - Off - Cool, Heat - Off, Cool - Off, Heat - Off - Cool - Auto. Note: Emergency Heat is available in heat pump mode only.	SYSTEM SET AutoOff Em.Heat Cool	Use the $\boxed{+}$ or $\boxed{-}$ buttons until the desired application is flashing. AUTO = (Auto Changeover)	Heat Off Cool
Dual Fuel Auxiliary For Heat Pump (Only displayed if heat pump is set to ON) This setting allows the system to run Gas, Oil, Propane or any other types of auxiliary heat. The thermostat will default to electric auxiliary heat in heat pump applications.	OF DUAL FUEL	Use the $\boxed{+}$ and $\boxed{-}$ buttons to select ON/OFF.	OFF
Electric or Gas Fan Operation (Only displayed if heat pump is set to ON) Select GAS to have the system control the fan during a call for heat, select Electric to have the thermostat control the fan during a call for heat. Note: If heat pump is set to "ON" this step will not show, and will default to ELECTRIC.	GAS FAN SET	Use $\boxed{+}$ and $\boxed{-}$ buttons to change the setting.	GAS
Satisfy Setpoint Staging (Only displayed if there are more than one stage of heat or cool) This feature allows the thermostat to keep multiple stages of heat or cool energized until the setpoint is satisfied.	OF SS STAGING	Use the $\boxed{+}$ or $\boxed{-}$ buttons to turn on or off.	OFF

13

Tech Settings

Tech Settings	LCD Will Show	Adjustment Options	Default
Staging Delay (Only displayed if there are more than one stage of heat or cool) This feature allows a delay to occur if an additional stage is needed. This allows the previous stage extra time to satisfy the setpoint. Note: Will not show if using outdoor sensor with balance point temperature.	OF STAGING DELAY	Use the $\boxed{+}$ or $\boxed{-}$ key to select OFF, 5, 10, 15, 30, 45, 60, or 90 minutes.	OFF
Minimum Compressor On Time This feature allows the installer to select the minimum run time for the compressor. For example, a setting of 4 will force the compressor to run for at least 4 minutes every time the compressor turns on, regardless of the room temperature.	OF MIN COMP ON	You can set the minimum compressor run time to "OFF", "3", "4", or "5" minutes. If 3, 4 or 5 is selected, the compressor will run for at least the selected time before turning off. Use the $\boxed{+}$ and $\boxed{-}$ buttons to change the setting.	OFF
Compressor Short Cycle Delay The compressor short cycle delay protects the compressor from "short cycling". This feature will not allow the compressor to be turned on for 5 minutes after it was last turned off.	ON COMP DELAY	Selecting "ON" will not allow the compressor to be turned on for 5 minutes after the last time the compressor was on. Select "OFF" to remove this delay. Use the $\boxed{+}$ and $\boxed{-}$ buttons to change the setting.	ON
Cooling Fan Delay The cooling fan delay setting will delay the fan from coming on in cool mode and keep it running after the compressor shuts off for a short time to save energy in some systems.	OF COOL FAN DL	You can set the cooling fan delay to OFF, 10, 30, 60 or 90 seconds. If 10, 30, 60, or 90 is selected the fan will not turn on for that many seconds when there is a call for cool and will run for that many seconds after satisfying a call for cool.	OFF
Program Options You can configure this thermostat to have 7 Day, 5+1+1 programming or non programmable.	5d PROG	Use the $\boxed{+}$ and $\boxed{-}$ key to select 7d for 7 Day, 5d for 5+1+1, or 0d for non programmable.	5d

14

Tech Settings

Tech Settings	LCD Will Show	Adjustment Options	Default
Pro Recovery This feature will start heating and cooling early to bring the building temperature to its programmed setpoint by the beginning of the WAKE, RETURN and OCCUPIED time periods.	ON PRO RECOVERY	Use the $\boxed{+}$ or $\boxed{-}$ key to select on or off.	ON
Heat Setpoint Limit This feature allows you to set a maximum heating setpoint limit. The setpoint temperature cannot be raised above this value.	HE HEAT LIMIT	Use the $\boxed{+}$ or $\boxed{-}$ key to select the maximum heat setpoint and the minimum cooling setpoint.	90°F
Cool Setpoint Limit This feature allows you to set a minimum cooling setpoint limit. The setpoint temperature cannot be lowered below this value.	CO COOL LIMIT	Use the $\boxed{+}$ or $\boxed{-}$ key to select the minimum cooling setpoint.	44°F

15

Tech Settings

Tech Settings	LCD Will Show	Adjustment Options	Default
°F or °C This feature allows you to display temperatures in either Fahrenheit or Celsius.	OF F OR C SET	°F for Fahrenheit °C for Celsius	°F
12 or 24 Hour Clock You can select either a 12 or 24 hour clock setting.	12 CLOCK SET	Use the $\boxed{+}$ or $\boxed{-}$ key to select 12 or 24 hour clock.	12H
Display Light The display light can be configured to stay on all the time or turn on when any key is pressed. There are LOW and HIGH selections for continuous ON selection. NOTE: The thermostat will need to be hardwired in order for the LOW and HIGH display light functions to work properly. "ALWAYS ON LIT" will alternate in the text field with "HARDWIRE ONLY" when HIGH is selected. These prompts will alternate every three seconds. If the thermostat is hardwired this feature will default to LOW.	dl ALWAYS ON LIT dl HARDWIRE ONLY	Use the $\boxed{+}$ and $\boxed{-}$ buttons to select OFF, LOW, or HIGH. OFF configures the display light to come on when the light key or any button is pressed. LOW configures the display light to stay on at a low intensity constantly. When a button is pressed, the display light will transition to high intensity. HIGH configures the display light to remain on at high intensity all the time.	OFF If Battery Powered LOW If Hardwired

Contractor Call Number Note

If contractor call number is selected ON, the phone number entered will show in the display if there has been a continuous call for heating or cooling for 24 hours or if the light button is held down for 3 seconds. To remove the phone number from the display, hold the light button down for 3 seconds.

16

Tech Settings	LCD Will Show	Adjustment Options	Default
Contractor Call Number This feature allows you to put your phone number in the display. You can choose ON or OFF. Notes: If contractor call number is selected ON, the phone number entered will show in the display if there has been a continuous call for heating or cooling for 24 hours or if the light button is held down for 3 seconds. To remove the phone number from the display, hold the light button down for 3 seconds.	 PHONE NUMBER	If selected ON, you will see the input screen after pressing NEXT STEP. Use the \leftarrow or \rightarrow button to select the desired number and the FAN or SYSTEM key to move from one character to another. See note below for operation.	OFF
Remote Sensor Operation (Only displayed if a sensor is connected to S1 and S2 terminals) You can configure the thermostat for one of three remote sensor applications: 0 No Sensor, 1 Indoor, 2 Outdoor, 3 Floor.	 REMOTE MODE	Use the left and right arrows to select one of three options. View the S1/S2 terminal chart on next page for an explanation of these options.	0
Local Temp Sensor (Only displayed if remote sensor setting is set to 1) You can disable the sensor on the T855SH thermostat. At least one R251S indoor remote sensor must be connected to disable the local T855S sensor. Note: Will only show if remote sensor is set to 1.	 LOCAL TEMP	ON enables local T855SH sensor. OFF disables local T855SH sensor.	ON

Tech Settings	LCD Will Show	Adjustment Options	Default
Number of Indoor Remotes (Only displayed if remote sensor setting is set to 1) Enables the use of up to sixteen indoor sensors R251S. Note: Will only show Remote Sensor is set to 1 and Local Temp Sensor is set to on.	 NUMBER REMOTE	You can use 1, 4, 9, or 16 indoor sensors. Refer to the R251S Install Manual for detailed connection information	1
Dual Fuel Balance Point (Only displayed if remote sensor setting is set to 2 and Dual Fuel AUX = On) An outdoor temperature above balance point will cause the thermostat to energize the Y terminal(s) only in calls for heat. An outdoor temperature below balance point will cause the thermostat to energize the W2 terminal only in calls for heat.	 BALANCE POINT	Use the \leftarrow and \rightarrow buttons to select OFF, 10, 15, 20, 25, 30, 35, 40, 45, 50 degrees.	OFF

S1 / S2 Terminal			
Options	Mode	Description	Requires
1	Indoor	The local and remote temperatures are averaged.	R251S
2	Outdoor	The outdoor temperature is flashed in clock.	R250S
3	Floor	The floor temperature is shown in tech.	R250S

Tech Settings	LCD Will Show	Adjustment Options	Default
Balance Point Run Time (Only displayed if remote sensor setting is set to 2) Balance point run time will allow the W2 auxiliary terminal to energize even if outdoor temperature is above selected balance point temperature. If enabled, auxiliary will energize for the current cycle after the balance point run time has expired. Note: Only shows if Balance Point is set to an outdoor temperature.	 BP RUN TIME	Off, 15, 30, 45, 60, 75, 90	OFF
Floor Temperature (Only displayed if remote sensor setting is set to 3) The temperature of the floor sensor will be displayed. Note: Only shows when REOP is set to 3. Use \leftarrow and \rightarrow buttons to adjust.	 FLOOR TEMP	N/A	N/A
Floor High Limit (Only displayed if remote sensor setting is set to 3) This setting allows you to set a maximum floor temperature limit for heat. Heat will be locked out when the floor temperature is above this value. Note: Only shows when REOP is set to 3.	 HIGH LIMIT	Use the \leftarrow or \rightarrow buttons to select the High Limit for the floor sensor. 35 - 120	86
Floor Low Limit (Only displayed if remote sensor setting is set to 3) This setting allows you to set a minimum floor temperature limit for heat. Heat will turn on automatically when the floor temperature is below this value. Note: Only shows when REOP is set to 3.	 LOW LIMIT	Use the \leftarrow or \rightarrow keys to select the Low Limit for the floor sensor. 35 - 120	50

Set Time

1. With system switch set to OFF, press the **MENU** button
2. Press **SET TIME**
3. Day of the week will be flashing. Use the \leftarrow or \rightarrow key to select the current day of the week.
4. Press **NEXT STEP**
5. The current hour is flashing. Use the \leftarrow or \rightarrow key to select the current hour. When using 12-hour time, make sure the correct a.m. or p.m. choice is selected.
6. Press **NEXT STEP**
7. Minutes are now flashing. Use the \leftarrow or \rightarrow key to select current minutes.
8. Press **DONE** when completed.

Programming

All of our programmable thermostats are shipped with an energy saving pre-program. You can customize this default program by following the steps on the next page.

There are four time periods for each program (**WAKE, LEAVE, RETURN, SLEEP**).

A Note About Auto Changeover:

In Auto you have the ability to switch between Auto Heat or Auto Cool by pressing the system key. This can be done once the current mode has reached its setpoint. For example: if in Auto Heat, the heat setpoint must be satisfied before the thermostat will allow you to switch to Auto Cool. You can switch out of Auto by holding down the system key. To get back into Auto, you must toggle the system key to Auto.

Programming

All of our programmable thermostats are shipped with an energy saving pre-program. You can customize this default program by following the steps on page 16.

There are four time periods for each program (**WAKE, LEAVE, RETURN, SLEEP**).

Factory Default Program				
Day of the Week	Events	Time	Setpoint Temperature (HEAT)	Setpoint Temperature (COOL)
Weekday	Wake	6 AM	70°F (21°C)	75°F (24°C)
	Leave	8 AM	62°F (17°C)	83°F (28°C)
	Return	6 PM	70°F (21°C)	75°F (24°C)
	Sleep	10 PM	62°F (17°C)	78°F (26°C)
Saturday	Wake	6 AM	70°F (21°C)	75°F (24°C)
	Leave	8 AM	62°F (17°C)	83°F (28°C)
	Return	6 PM	70°F (21°C)	75°F (24°C)
	Sleep	10 PM	62°F (17°C)	78°F (26°C)
Sunday	Wake	6 AM	70°F (21°C)	75°F (24°C)
	Leave	8 AM	62°F (17°C)	83°F (28°C)
	Return	6 PM	70°F (21°C)	75°F (24°C)
	Sleep	10 PM	62°F (17°C)	78°F (26°C)

Programming

You can use the table below to plan your customized program schedule.

Factory Default Program				
Day of the Week	Events	Time	Setpoint Temperature (HEAT)	Setpoint Temperature (COOL)
Weekday	Wake	6 AM	70°F (21°C)	75°F (24°C)
	Leave	8 AM	62°F (17°C)	83°F (28°C)
	Return	6 PM	70°F (21°C)	75°F (24°C)
	Sleep	10 PM	62°F (17°C)	78°F (26°C)
Saturday	Wake	6 AM	70°F (21°C)	75°F (24°C)
	Leave	8 AM	62°F (17°C)	83°F (28°C)
	Return	6 PM	70°F (21°C)	75°F (24°C)
	Sleep	10 PM	62°F (17°C)	78°F (26°C)
Sunday	Wake	6 AM	70°F (21°C)	75°F (24°C)
	Leave	8 AM	62°F (17°C)	83°F (28°C)
	Return	6 PM	70°F (21°C)	75°F (24°C)
	Sleep	10 PM	62°F (17°C)	78°F (26°C)

Set Program Schedule 5+1+1 or 7 Day

To customize your program schedule, follow these steps:

1. Select **HEAT** or **COOL** with the system switch. **Note:** You have to program heat and cool each separately.
2. Press the **MENU** button (If menu does not appear first press **RUN SCHED**)
3. Press **SET SCHED**. Note: Monday-Friday or (**Monday if in 7 Day**) is displayed and the **WAKE** icon is shown. You are now programming the wake time period for that day.
4. Time is flashing. Use the **+** or **-** key to make your time selection for that day's **WAKE** time period. Note: If you want the fan to run continuously during this time period, select **ON** with the **FAN** key
5. Press **NEXT STEP**
6. The setpoint temperature is flashing. Use the **+** or **-** key to make your setpoint selection for that day's **WAKE** time period.
7. Press **NEXT STEP**
8. Repeat steps 4 thru 7 for that day's **LEAVE** time period, **RETURN** time period, and **SLEEP** time period.



If in 5+1+1 Programming:

Repeat steps 4 thru 8 for the Saturday + Sunday time periods.

If using 7- Day Programming:

Use these same steps for every individual day.

Specifications

Specifications

- The display range of temperature ... 41°F to 95°F (5°C to 35°C)
- The control range of temperature.... 44°F to 90°F (7°C to 32°C)
- Load Rating..... 1 amp per terminal, 1.5 amp maximum all terminals combined
- Swing (cycle rate or differential) Heating is adjustable from 0.2° to 2.0°
Cooling is adjustable from 0.2° to 2.0°
- Power source 18 to 30 VAC, NEC Class II, 50/60 Hz for hardwire
Battery power from 2 AA Alkaline batteries
- Operating ambient 32°F to +105°F (0°C to +41°C)
- Operating humidity 90% non-condensing maximum
- Dimensions of thermostat 4.7" W x 4.3" H x 0.9" D