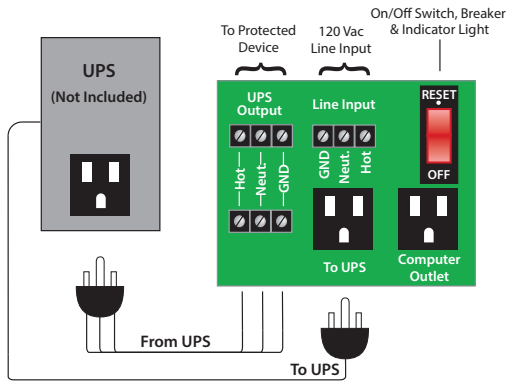


## ENCLOSED UPS INTERFACE MODULE

### PSH2RB10

Enclosed 4.00" Track Mount Power Control Center, 10 Amp Switch / Circuit Breaker, Two (2) 120 Vac Outlets, Terminals, 120 Vac Input. **(No Status Contacts)**



Shown Without Cover



Shown With Cover



## SPECIFICATIONS

**Operating Temperature:** -30 to 140° F

**Humidity Range:** 5 to 95% (noncondensing)

**Main Breaker ON/OFF:** Switch / Breaker (10 Amp)

**Approvals:** UL Listed, UL916, C-UL, CE, RoHS

**Dimensions:** 12.000" x 14.000" x 6.000"  
Metal Housing with Screw Cover

**Weight:** 13.10 lbs.

### Notes:

- Track mounted interface board may be ordered separately as model PSM2RB10, to be used with any commercial UPS with appropriate ratings for the circuit breaker.
- Circuit breaker for short protection.
- 14/3 Line Cord included (3').
- **Use with UPS devices rated 1000 VA or less.**
  - Max. size: 12.000" x 7.250" x 5.500"
  - 120 Vac max., 600 W max., 8.3 Amp max.
- UPS is not included.