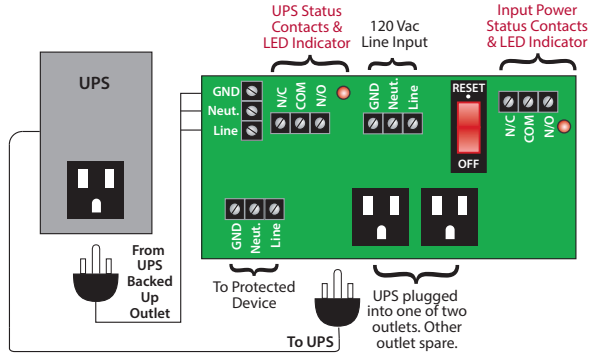


**UNINTERRUPTIBLE POWER SUPPLY IN KIT**

**PSH550-UPS-STAT**

Kit Consisting of Enclosed Power Control Center Model PSH2C2RB10 (10 Amp Switch / Circuit Breaker, Two (2) 120 Vac Outlets, Terminals, 120 Vac Input) with a 550 VA UPS. (Status Contacts)



Shown Without Cover



Shown With Cover



**SPECIFICATIONS**

**UPS**

- UPS:** 550VA
- Backup Time:** 3 Min. @ Full 550 VA Load  
15 Min. @ 1/2 Load
- Input:** 120 Vac, 12 Amp
- Output:** 120 Vac, 4.6 Amp
- Max Load:** 330 Watt
- Frequency:** 50/60 Hz
- Temperature Rating of UPS:** 32 to 104° F
- UPS Transfer Time:** 6ms
- Approvals:** UL Listed, UL1778
- Weight:** 12 lbs.

**PSH2C2RB10**

- Operating Temperature:** -30 to 140° F
- Humidity Range:** 5 to 95% (noncondensing)
- Main Breaker ON/OFF:** Switch / Breaker (10 Amp)
- Approvals:** UL Listed, UL916, C-UL, CE, RoHS
- Dimensions:** 12.000" x 16.000" x 6.000"  
Metal Housing with Screw Cover

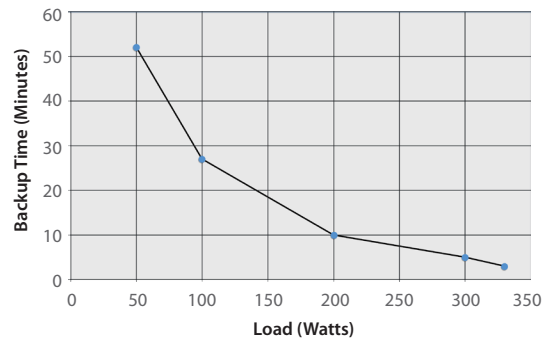
**Line Input Status Contacts and UPS Output Status Contacts Rated:**

- 10 Amp @ 277 Vac General Use
- 10 Amp @ 30 Vdc (N/O)
- 7 Amp @ 30 Vdc (N/C)
- 1/2 HP @ 125 Vac
- 1/4 HP @ 277 Vac
- 1000 VA @ 120 Vac Magnetic Ballast (N/C)
- C300 Pilot Duty
- 16.8 VA @ 24 Vac Pilot Duty

**Notes:**

- To order without UPS, so that any other commercial UPS with appropriate ratings and within housing space limitations may be used, see model PSH2C2RB10.
- To order interface board for replacement or for separate use, order model PSMN2C2RB10.
- **Average battery life: 3-5 years depending on the number of discharge cycles and environmental temperature**

**ESTIMATED BACKUP TIME VS. LOAD**



POWER CONTROL