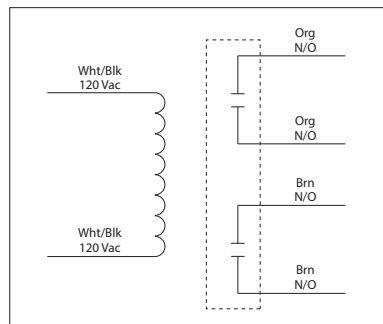


30 AMP POWER CONTROL RELAYS

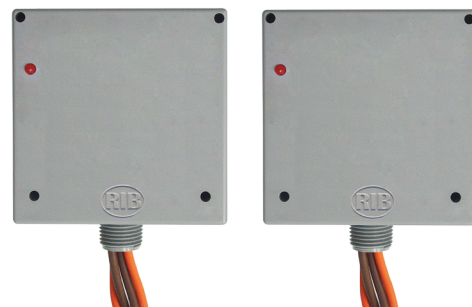
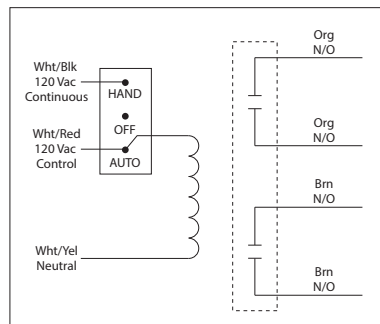
RIB01P30

Enclosed Relay 30 Amp DPST-N/O with 120 Vac Coil



RIB01P30-S

Enclosed Relay 30 Amp DPST-N/O + Coil Side Override with 120 Vac Coil



RELAYS

SPECIFICATIONS

Relays & Contact Type: One (1) DPST Continuous Duty Coil
Expected Relay Life: 10 million cycles minimum mechanical
Operating Temperature: -30 to 140° F
Humidity Range: 5 to 95% (noncondensing)
Operate Time: 18ms
Relay Status: LED On = Activated
Dimensions: 4.00" x 4.00" x 1.80" with .50" NPT Nipple
Wires: 16", 600V Rated
Approvals: UL Listed, UL916, UL864, C-UL California State Fire Marshal, CE, RoHS
Housing Rating: UL Accepted for Use in Plenum, NEMA 1
Gold Flash: Yes
Override Switch: No (RIB01P30)
 Coil Side (RIB01P30-S)

Contact Ratings:
 30 Amp Resistive @ 300 Vac
 25 Amp Resistive @ 28 Vdc
 20 Amp Ballast @ 277-480 Vac
Not rated for Electronic Ballast
 15 Amp Resistive @ 600 Vac
 770 VA Pilot Duty @ 120 Vac
 1158 VA Pilot Duty @ 240 Vac
 1110 VA Pilot Duty @ 277 Vac
 1640 VA Pilot Duty @ 480 Vac
 Heavy Pilot Duty @ 600 Vac
 3 HP @ 480-600 Vac
 2 HP @ 240-277 Vac
 1 HP @ 120 Vac

Coil Current:
 105 mA @ 120 Vac

Coil Voltage Input:
 120 Vac ; 50-60 Hz
 Drop Out = 35 Vac
 Pull In = 85 Vac

Control Input: (RIB01P30-S)
 Wht/Blk = 120 Vac Continuous
 Wht/Red = 120 Vac Control
 Wht/Yel = Neutral

Notes:

- Order Both Poles Normally Closed by adding "-NC" to end of model number
- Order Pole 1 Normally Open and Pole 2 Normally Closed by adding "-NONC" to end of model number