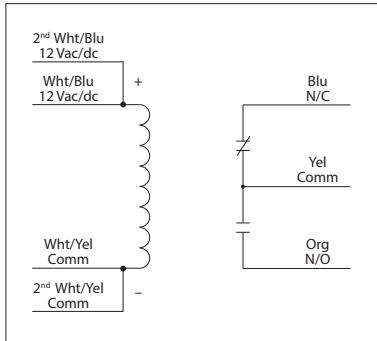


FIRE ALARM RELAYS

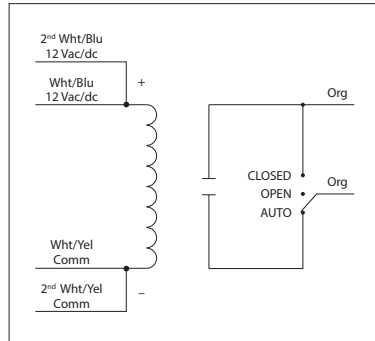
RIB12C-FA

Enclosed Relay 10 Amp, Polarized with 12 Vac/dc Coil



RIB12S-FA

Enclosed Relay 10 Amp + Override, Polarized with 12 Vac/dc Coil



Meets "Buy American" of ARRA 2009



RIB12C-FA-RD
RIB12S-FA-RD
• Red housing



RIB12C-FA-N4
• NEMA 4X housing, UL508 only

RELAYS

SPECIFICATIONS

- # Relays & Contact Type: One (1) SPDT Continuous Duty Coil
- Expected Relay Life: 10 million cycles minimum mechanical
- Operating Temperature: -30 to 140° F
- Humidity Range: 5 to 95% (noncondensing)
- Operate Time: 6ms
- Relay Status: LED On = Activated
- Dimensions: 1.70" x 2.80" x 1.50" with .50" NPT nipple
- Wires: 16", 600V Rated
- Approvals: UL Listed, UL916, UL864, C-UL, California State Fire Marshal, CE, RoHS
- Housing Rating: UL Accepted for Use in Plenum, NEMA 1
- Gold Flash: No
- Override Switch: No (RIB12C-FA), Yes (RIB12S-FA)

- Contact Ratings: 10 Amp General Use @ 277 Vac, 10 Amp Resistive @ 30 Vdc (N/O), 7 Amp Resistive @ 30 Vdc (N/C), 1/2 HP @ 125 Vac, 1 HP @ 250 Vac, 1/4 HP @ 277 Vac, 470 VA Pilot Duty @ 125 Vac, 770 VA Pilot Duty @ 250 Vac

- Coil Current: 53 mA @ 10 Vac, 62 mA @ 12 Vac, 29 mA @ 11 Vdc, 36 mA @ 12 Vdc

- Coil Voltage Input: 12 Vac/dc; 50-60 Hz, Drop Out = 2 Vac / 2.5 Vdc, Pull In = 9 Vac / 11 Vdc

- Notes: • Order Normally Closed by adding "-NC" to end of model number (RIB12S-FA)