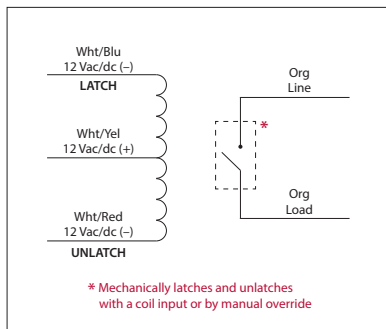


LATCHING RELAYS

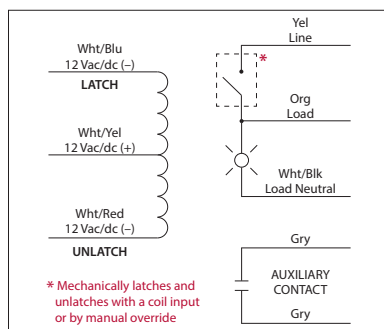
RIBL12SB

Enclosed Mechanically Latching Relay 20 Amp SPST + Override with 12 Vac/dc Coil



RIBL12SBM

Enclosed Mechanically Latching Relay 20 Amp SPST + Override with 12 Vac/dc Coil, Status LED and Auxiliary Output



RELAYS

SPECIFICATIONS

- # Relays & Contact Type: One (1) SPST Latching Relay, Dual Coil
- Expected Relay Life: 1 million cycles minimum mechanical
- Operating Temperature: -30 to 140° F
- Humidity Range: 5 to 95% (noncondensing)
- Operate Time: 50ms
- Maximum Pulse Length: 30 seconds
- Relay Status / Auxiliary
 - Contact Closed: LED On = Voltage Detected on Load Wire (RIBL12SBM)
 - Dimensions: 1.70" x 2.80" x 1.50" with .50" NPT Nipple (RIBL12SB)
2.30" x 3.20" x 1.80" with .50" NPT Nipple (RIBL12SBM)
 - Wires: 16', 600V Rated
 - Approvals: UL Listed, UL60947, C-UL, CE, RoHS
 - Housing Rating: UL Accepted for Use in Plenum, NEMA 1
 - Gold Flash: No
 - Override Switch: Yes

- Contact Ratings:**
 - 20 Amp Resistive @ 120-277 Vac
 - 20 Amp Ballast @ 120-277 Vac
 - 16 Amp Electronic Ballast @ 120-277 Vac
 - 5540 Watt Tungsten @ 277 Vac
 - 720 VA Pilot Duty @ 120-277 Vac
 - 2 HP @ 277 Vac
 - 3 HP @ 240 Vac
 - 1.5 HP @ 120 Vac

- Coil Current:**
 - 182 mA @ 10 Vac
 - 250 mA @ 12 Vac
 - 165 mA @ 10 Vdc
 - 198 mA @ 12 Vdc
 - 250 mA @ 15 Vdc

- Latch / Unlatch:**
 - Min. 10 Vdc / 11 Vac

- Auxiliary Contact:**
 - 3 Amp @ 30 Vac/dc max.

- Notes:**
 - Application of voltage on latch coil (Wht/Blu & Wht/Yel) will close the contact.
 - Application of voltage on unlatch coil (Wht/Red & Wht/Yel) will open the contact.
 - Auxiliary contact and status LED activate when 120-277 Vac is applied between Load (Org) wire and Load Neutral (Wht/Blk) wire. (RIBL12SBM)