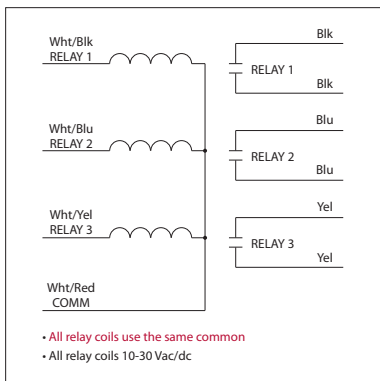


**10 AMP PILOT CONTROL RELAYS**

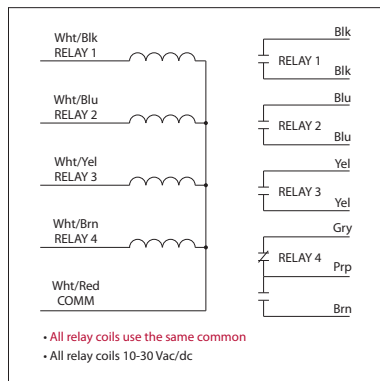
**RIBL3C**

Enclosed Relays 10 Amp 3 SPST-N/O with 10-30 Vac/dc Coil



**RIBL4C**

Enclosed Relays 10 Amp 3 SPST-N/O + 1 SPDT with 10-30 Vac/dc Coil



RELAYS

**SPECIFICATIONS**

**# Relays & Contact Type:** Three (3) SPST Continuous Duty Coil (RIBL3C)  
Three (3) SPST + One (1) SPDT Continuous Duty Coil (RIBL4C)

**Expected Relay Life:** 10 million cycles minimum mechanical

**Operating Temperature:** -30 to 140° F

**Humidity Range:** 5 to 95% (noncondensing)

**Operate Time:** 20ms

**Relay Status:** LED On = Activated

**Dimensions:** 4.00" x 4.00" x 1.80" with .50" NPT nipple

**Wires:** 16", 600V Rated

**Approvals:** UL Listed, UL916, UL864, C-UL  
California State Fire Marshal, CE, RoHS

**Housing Rating:** UL Accepted for Use in Plenum, NEMA 1

**Gold Flash:** Yes

**Override Switch:** No

**Contact Ratings:**

10 Amp Resistive @ 277 Vac  
10 Amp Resistive @ 28 Vdc  
480 VA Pilot Duty @ 240-277 Vac  
480 VA Ballast @ 277 Vac  
*Not rated for Electronic Ballast*  
600 Watt Tungsten @ 120 Vac (N/O)  
240 Watt Tungsten @ 120 Vac (N/C)  
1/3 HP @ 120-240 Vac (N/O)  
1/6 HP @ 120-240 Vac (N/C)  
1/4 HP @ 277 Vac (N/O)  
1/8 HP @ 277 Vac (N/C)

**Coil Current:**

33 mA @ 10 Vac	13 mA @ 10 Vdc
35 mA @ 12 Vac	15 mA @ 12 Vdc
46 mA @ 24 Vac	18 mA @ 24 Vdc
55 mA @ 30 Vac	20 mA @ 30 Vdc

**Coil Voltage Input:**

10-30 Vac/dc ; 50-60 Hz  
Drop Out = 2.1 Vac / 2.8 Vdc  
Pull In = 9 Vac / 10 Vdc

**Notes:**

- Order Normally Closed by adding "-NC" to end of model number