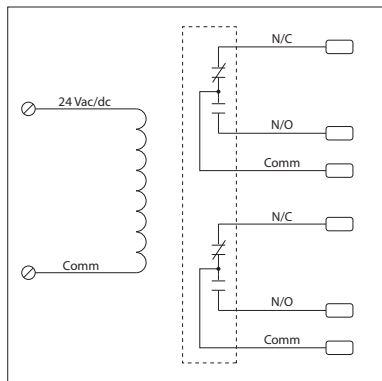


**30 AMP TRACK MOUNT CONTROL RELAY**

**RIBM24ZN**

4.00" Track Mount Relay 30 Amp DPDT with 24 Vac/dc Coil



RELAYS

**SPECIFICATIONS**

**# Relays & Contact Type:** One (1) DPDT Continuous Duty Coil  
**Expected Relay Life:** 10 million cycles minimum mechanical  
**Operating Temperature:** -30 to 140° F  
**Humidity Range:** 5 to 95% (noncondensing)  
**Operate Time:** 18ms  
**Relay Status:** LED On = Activated  
**Dimensions:** 1.600" x 4.000" x 1.750"  
**Track Mount:** 4.000", See MT4 Series on page 152  
MT4 Mounting Track Sold Separately  
**Approvals:** UL Component Recognized, UL916 C-UL, CE, RoHS  
**Gold Flash:** Yes  
**Override Switch:** No

**Contact Ratings:**  
 30 Amp Resistive @ 300 Vac  
 25 Amp Resistive @ 28 Vdc  
 15 Amp Resistive @ 600 Vac  
 20 Amp Ballast @ 277-480 Vac  
*Not rated for Electronic Ballast*  
 3 HP @ 480-600 Vac  
 2 HP @ 240/277 Vac  
 1 HP @ 120 Vac  
 NEMA B600 Pilot Duty

**Coil Current:**  
 110 mA @ 20 Vac  
 125 mA @ 24 Vac  
 55 mA @ 20 Vdc  
 55 mA @ 24 Vdc  
 70 mA @ 30 Vdc

**Coil Voltage Input:**  
 24 Vac/dc ; 50-60 Hz  
 Drop Out = 3 Vac / 3.8 Vdc  
 Pull In = 20 Vac / 20 Vdc