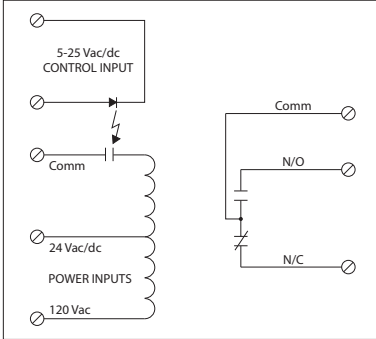




LOW COIL INPUT TRACK MOUNT RELAYS

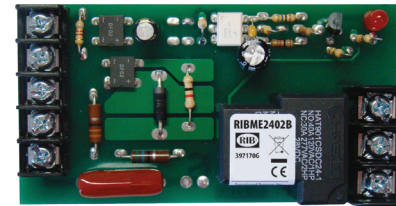
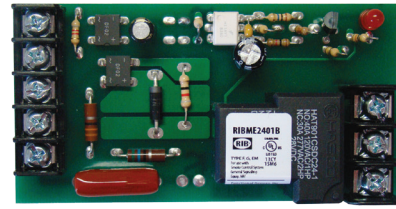
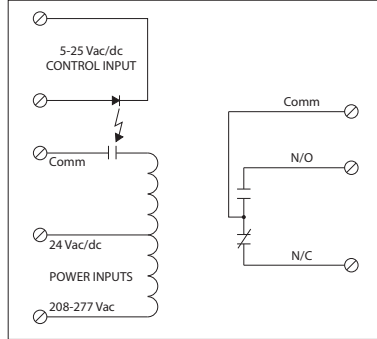
RIBME2401B

4.00" Track Mount Relay 20 Amp SPDT,
24 Vac/dc/**120 Vac Power Input** +
5-25 Vac/dc Control Input



RIBME2402B

4.00" Track Mount Relay 20 Amp SPDT,
24 Vac/dc/**208-277 Vac Power Input** +
5-25 Vac/dc Control Input



SPECIFICATIONS

Power Input: 24 Vac/dc/120 Vac, 50-60 Hz (RIBME2401B)
24 Vac/dc/208-277 Vac, 50-60 Hz (RIBME2402B)

Control Input: 5-25 Vac/dc, 50-60 Hz

Relays & Contact Type: One (1) SPDT Continuous Duty Coil

Expected Relay Life: 10 million cycles minimum mechanical

Operating Temperature: -30 to 140° F

Humidity Range: 5 to 95% (noncondensing)

Operate Time: 18ms

Relay Status: LED On = Activated

Dimensions: 2.050" x 4.000" x 1.750"

Track Mount: 4.000"; See MT4 Series on page 152

MT4 Mounting Track Sold Separately

Approvals: UL Listed, UL916, UL864, C-UL
California State Fire Marshal, CE, RoHS

Gold Flash: No

Override Switch: No

Contact Ratings:

20 Amp Resistive @ 277 Vac
1110 VA Pilot Duty @ 277 Vac
770 VA Pilot Duty @ 120 Vac
20 Amp Ballast @ 277 Vac
16 Amp Electronic Ballast @ 277 Vac (N/O)
10 Amp Tungsten @ 120 Vac (N/O)
240 Watt Tungsten @ 120 Vac (N/C)
2 HP @ 277 Vac
1 HP @ 120 Vac

Power Input Ratings:

50 mA @ 18 Vac
83 mA @ 24 Vac
47 mA @ 120 Vac (RIBME2401B)
69 mA @ 208-277 Vac (RIBME2402B)

33 mA @ 22 Vdc
35 mA @ 24 Vdc
47 mA @ 30 Vdc

Control Input Ratings:

.4 mA @ 5 Vdc
.9 mA @ 10 Vdc
1 mA @ 12 Vdc
2 mA @ 24 Vdc
3 mA @ 24 Vac
(Non Polarized)