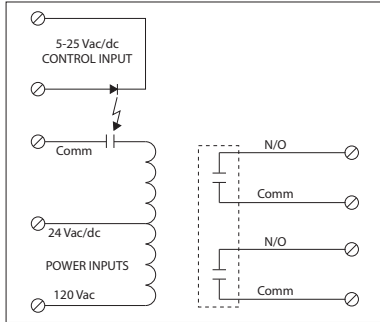




LOW COIL INPUT TRACK MOUNT RELAYS

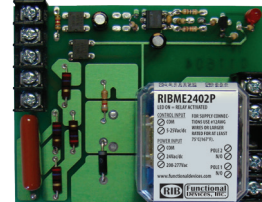
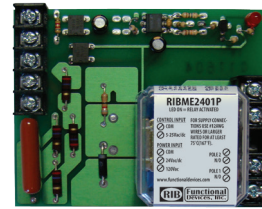
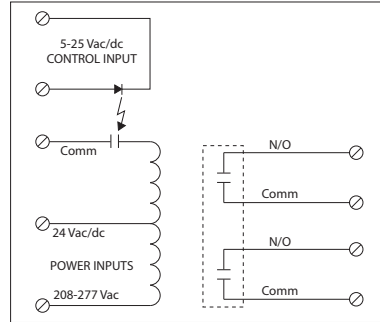
RIBME2401P

4.00" Track Mount Relay 20 Amp DPST, 24 Vac/dc/120 Vac Power Input + 5-25 Vac/dc Control Input



RIBME2402P

4.00" Track Mount Relay 20 Amp DPST, 24 Vac/dc/208-277 Vac Power Input + 5-25 Vac/dc Control Input



RELAYS

SPECIFICATIONS

- Power Input: 24 Vac/dc/120 Vac, 50-60 Hz (RIBME2401P)
Control Input: 5-25 Vac/dc, 50-60 Hz
Relays & Contact Type: One (1) DPST Continuous Duty Coil
Expected Relay Life: 10 million cycles minimum mechanical
Operating Temperature: -30 to 140° F
Humidity Range: 5 to 95% (noncondensing)
Operate Time: 18ms
Relay Status: LED On = Activated
Dimensions: 3.100" x 4.000" x 2.750"
Track Mount: 4.000", See MT4 Series on page 152
Approvals: UL Listed, UL916, UL864, C-UL
Gold Flash: Yes
Override Switch: No

- Contact Ratings: 20 Amp Resistive @ 300 Vac, 20 Amp Resistive @ 28 Vdc, 15 Vdc, 20 Amp Ballast @ 277-480 Vac, 15 Amp Resistive @ 600 Vac, 770 VA Pilot Duty @ 120 Vac, 1158 VA Pilot Duty @ 240 Vac, 1110 VA Pilot Duty @ 277 Vac, 1640 VA Pilot Duty @ 480 Vac, 3 HP @ 480-600 Vac, 2 HP @ 240-277 Vac, 1 HP @ 120 Vac

- Power Input Ratings: 138 mA @ 24 Vac, 105 mA @ 120 Vac (RIBME2401P), 105 mA @ 208-277 Vac (RIBME2402P), 77 mA @ 30 Vdc
Control Input Ratings: .4 mA @ 5 Vdc, .9 mA @ 10 Vdc, 1 mA @ 12 Vdc, 2 mA @ 24 Vdc, 3 mA @ 24 Vac (Non Polarized)