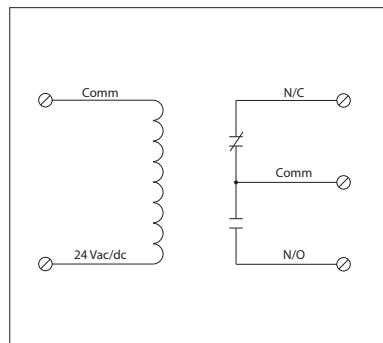


**FIRE ALARM TRACK MOUNT RELAYS**

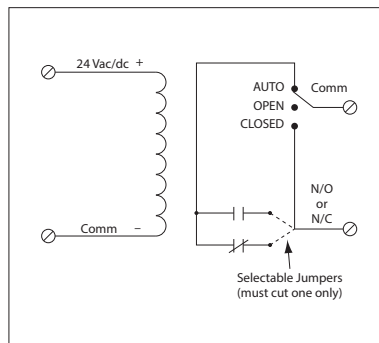
**RIBMN24C-FA**

2.75" Track Mount Relay 15 Amp, Polarized with 24 Vac/dc Coil



**RIBMN24S-FA**

2.75" Track Mount Relay 15 Amp + Override, Polarized with 24 Vac/dc Coil



"Buy American" of ARRA 2009



Cut for N/O  
Cut for N/C

RELAYS

**SPECIFICATIONS**

- # Relays & Contact Type: One (1) SPDT Continuous Duty Coil
- Expected Relay Life: 10 million cycles minimum mechanical
- Operating Temperature: -30 to 140° F
- Humidity Range: 5 to 95% (noncondensing)
- Operate Time: 6ms
- Relay Status: LED On = Activated
- Dimensions: 1.100" x 2.750" x 1.750"
- Track Mount: 2.750", See MT212 Series on page 152  
**MT212 Mounting Track Sold Separately**
- Approvals: UL Listed, UL916, UL864, C-UL  
California State Fire Marshal, CE, RoHS
- Gold Flash: No
- Override Switch: No (RIBMN24C-FA)  
Yes (RIBMN24S-FA)

- Contact Ratings:**
- 15 Amp General Use @ 125 Vac
  - 10 Amp General Use @ 277 Vac
  - 10 Amp Resistive @ 30 Vdc (N/O)
  - 7 Amp Resistive @ 30 Vdc (N/C)
  - 1/2 HP @ 125 Vac
  - 1 HP @ 250 Vac
  - 1/4 HP @ 277 Vac
  - 470 VA Pilot Duty @ 125 Vac
  - 770 VA Pilot Duty @ 250 Vac

- Coil Current:**
- 26 mA @ 20 Vac
  - 31 mA @ 24 Vac
  - 48 mA @ 35 Vac
  - 14 mA @ 20 Vdc
  - 18 mA @ 24 Vdc
  - 28 mA @ 35 Vdc

- Coil Voltage Input:**
- 24 Vac/dc ; 50-60 Hz
  - Drop Out = 2 Vac / 2.5 Vdc
  - Pull In = 9 Vac / 11 Vdc

- Notes:**
- Must cut appropriate jumper to select Normally Open or Normally Closed (RIBMN24S-FA)