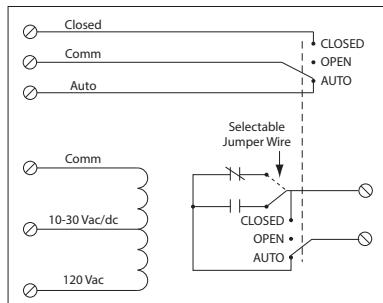


**15 AMP TRACK MOUNT CONTROL RELAYS**

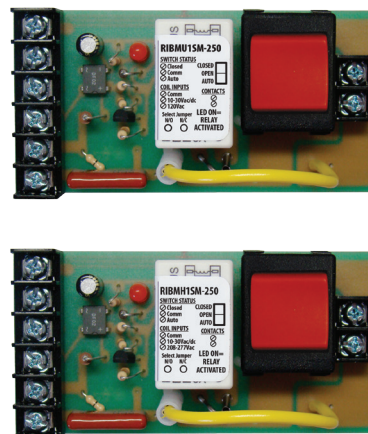
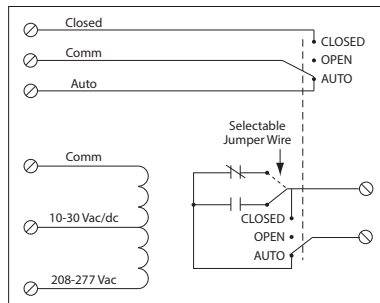
**RIBMU1SM-250**

4.00" Track Mount Relay 15 Amp SPST + Override + Monitor with 10-30 Vac/dc / 120 Vac Coil



**RIBMH1SM-250**

4.00" Track Mount Relay 15 Amp SPST + Override + Monitor with 10-30 Vac/dc / 208-277 Vac Coil



Made in USA  
Meets  
"Buy American"  
of ARRA 2009

RELAYS

**SPECIFICATIONS**

- # Relays & Contact Type: One (1) SPST Continuous Duty Coil
- Expected Relay Life: 10 million cycles minimum mechanical
- Operating Temperature: -30 to 140° F
- Humidity Range: 5 to 95% (noncondensing)
- Operate Time: 20ms
- Relay Status: LED On = Activated
- Dimensions: 2.000" x 4.000" x 1.750"
- Track Mount: 4.000", See MT4 Series on page 152  
*MT4 Mounting Track Sold Separately*
- Approvals: UL Listed, UL916, UL864, C-UL  
California State Fire Marshal, CE, RoHS
- Gold Flash: Yes
- Override Switch: Yes + Monitor

- Contact Ratings:**
- 15 Amp Resistive @ 125 Vac
- 10 Amp Resistive @ 250 Vac
- 345 VA Pilot Duty @ 120/240 Vac (N/O)
- 211 VA Pilot Duty @ 120/240 Vac (N/C)
- 1/3 HP for N/O @ 120-240 Vac
- 1/6 HP for N/C @ 120-240 Vac

- Coil Voltage Input:**
- 10-30 Vac/dc ; 120 Vac ; 50-60 Hz (RIBMU1SM-250)
- 10-30 Vac/dc ; 208-277 Vac ; 50-60 Hz (RIBMH1SM-250)
- Drop Out = 2.1 Vac / 2.8 Vdc
- Pull In = 9 Vac / 10 Vdc

- Coil Current:**
- 33 mA @ 10 Vac                      13 mA @ 10 Vdc
- 35 mA @ 12 Vac                      15 mA @ 12 Vdc
- 46 mA @ 24 Vac                      18 mA @ 24 Vdc
- 55 mA @ 30 Vac                      20 mA @ 30 Vdc
- 28 mA @ 120 Vac (RIBMU1SM-250)
- 39 mA @ 208-277 Vac (RIBMH1SM-250)

- Notes:**
- Normally Open or Normally Closed selected by yellow jumper wire
- Second pole of override switch can be connected to digital-in of controller to report position of override switch
- Rating of second pole is 50 Vac/dc, 0.25 Amp max