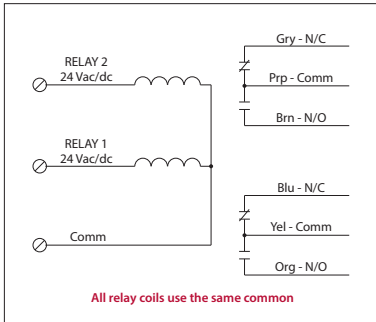


20 AMP POWER CONTROL RELAYS

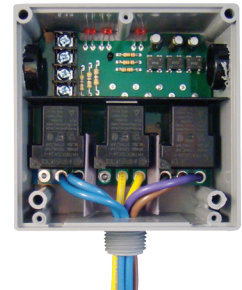
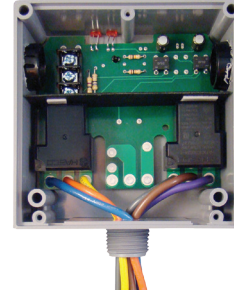
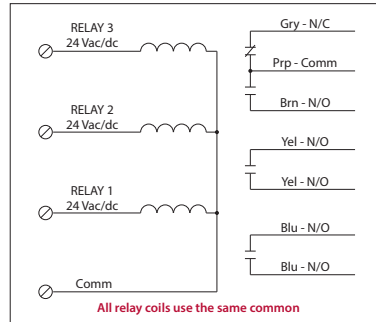
RIBT242B

Enclosed Relays Hi/Low Separation 20 Amp
2 SPDT with 24 Vac/dc Coil



RIBT243B

Enclosed Relays Hi/Low Separation 20 Amp
2 SPST + 1 SPDT with 24 Vac/dc Coil



RELAYS

SPECIFICATIONS

Relays & Contact Type: Two (2) SPDT Continuous Duty Coil (RIBT242B)
Two (2) SPST + One (1) SPDT Continuous Duty Coil (RIBT243B)

Expected Relay Life: 10 million cycles minimum mechanical

Operating Temperature: -30 to 140° F

Humidity Range: 5 to 95% (noncondensing)

Operate Time: 18ms

Relay Status: LED On = Activated

Dimensions: 4.00" x 4.00" x 1.80" with .50" NPT Nipple

Wires: 16", 600V Rated

Approvals: UL Listed, UL916, UL864, C-UL

California State Fire Marshal, CE, RoHS

Housing Rating: UL Accepted for Use in Plenum, NEMA 1

Gold Flash: No

Override Switch: No

Contact Ratings:

20 Amp Resistive @ 277 Vac

5 Amp Resistive @ 480 Vac

20 Amp Ballast @ 277 Vac

16 Amp Electronic Ballast @ 277 Vac (N/O)

10 Amp Tungsten @ 120 Vac (N/O)

770 VA Pilot Duty @ 120 Vac

1,110 VA Pilot Duty @ 277 Vac

2 HP @ 277 Vac

1 HP @ 120 Vac

Coil Current:

50 mA @ 18 Vac

83 mA @ 24 Vac

33 mA @ 22 Vdc

35 mA @ 24 Vdc

47 mA @ 30 Vdc

Coil Voltage Input:

24 Vac/dc; 50-60 Hz

Drop Out = 2.1 Vac / 3.8 Vdc

Pull In = 18 Vac / 22 Vdc

Notes:

• RIBT243B not rated for UL864.