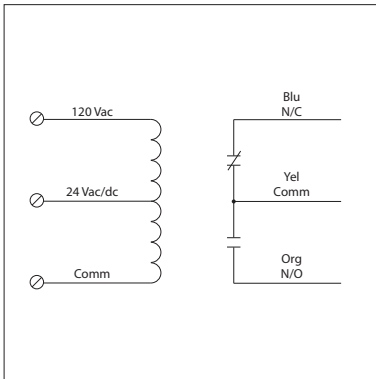


20 AMP TIME DELAY RELAY

RIBTD2401B

Enclosed Time Delay Relay 20 Amp SPDT with 24 Vac/dc/120 Vac Coil



RELAYS

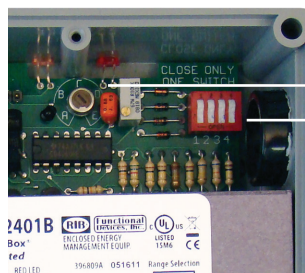
SPECIFICATIONS

- # Relays & Contact Type:** One (1) SPDT Continuous Duty Coil
- Expected Relay Life:** 10 million cycles minimum mechanical
- Operating Temperature:** -30 to 140° F
- Humidity Range:** 5 to 95% (noncondensing)
- Operate Time:** 6ms after time delay
- Relay Status:** RED LED On = Activated
- Time Delay Status:** PINK LED FLASHING = Timing
- Timing Mode:** Delay On Make (N/O)
- Timing Range:** 6 seconds - 20 minutes
- Timing Adjustment:** 4 position DIP switch for range selection and single turn potentiometer for timing adjustment within range
- Timing Tolerance:** Switches 1 & 2 = ±10%
Switches 3 & 4 = ±5%
- Timing Repeatability:** ±1%
- Temperature Timing Variance:** ±1%
- Voltage Timing Variance:** ±1%
- Recycle Time:** 750ms Maximum
- Dimensions:** 4.00" x 4.00" x 1.80" with .50" NPT nipple
- Approvals:** UL Listed, UL916, C-UL, CE, RoHS
- Housing Rating:** UL Accepted for Use in Plenum, NEMA 1
- Gold Flash:** No
- Override Switch:** No

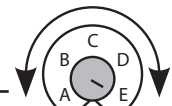
- Contact Ratings:**
 - 20 Amp Resistive @ 277 Vac
 - 20 Amp Ballast @ 277 Vac
 - 16 Amp Electronic Ballast @ 277 Vac (N/O)
 - 10 Amp Tungsten @ 120 Vac (N/O)
 - 770 VA Pilot Duty @ 120 Vac
 - 1,110 VA Pilot Duty @ 277 Vac
 - 2 HP @ 277 Vac
 - 1 HP @ 120 Vac

- Input Current:**
 - 133 mA @ 24 Vac
 - 45 mA @ 24 Vdc
 - 51 mA @ 120 Vac

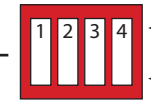
- Coil Voltage Input:**
 - 24 Vac/dc ; 120 Vac ; 50-60 Hz
 - Drop Out = 3 Vac / 3.8 Vdc
 - Pull In = 20 Vac / 20 Vdc



Timing Adjustment



Range Selection

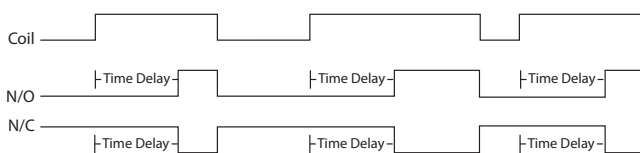


← Depressed for closed
← Depressed for open

Only Close 1 Switch

Switch Ranges	Close Dip Switch	Potentiometer Setting				
		A	B	C	D	E
6s-20s	1	6s	9s	13s	16s	20s
22s-1min15s	2	22s	36s	50s	1min4s	1min15s
1min30s-5min	3	1min30s	2min10s	3min20s	4min16s	5min
6min-20min	4	6min	9min	13min20s	17min20s	20min

Timing Diagram



Time Delay Application

Load 2 stays on selected amount of time after Load 1 goes off.

