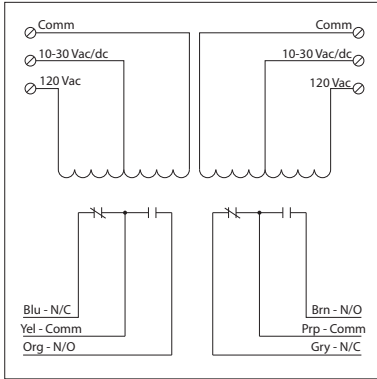


10 AMP PILOT CONTROL RELAYS

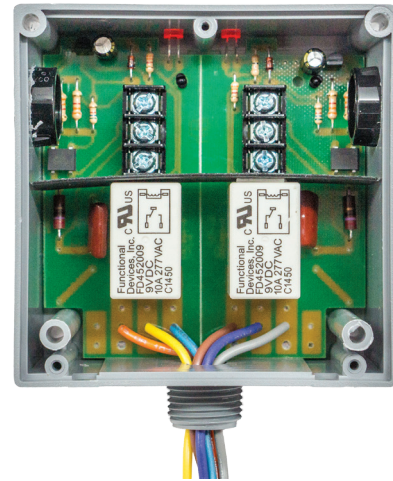
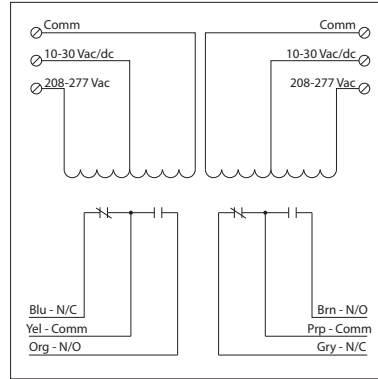
RIBTU2C

Enclosed Relays Hi/Low Separation 10 Amp
2 SPDT with 10-30 Vac/dc/**120 Vac Coil**



RIBTH2C

Enclosed Relays Hi/Low Separation 10 Amp
2 SPDT with 10-30 Vac/dc/**208-277 Vac Coil**



Made in USA
Meets
"Buy American"
of ABRA 2009

RELAYS

SPECIFICATIONS

- # Relays & Contact Type: Two (2) SPDT Continuous Duty Coil
- Expected Relay Life: 10 million cycles minimum mechanical
- Operating Temperature: -30 to 140° F
- Humidity Range: 5 to 95% (noncondensing)
- Operate Time: 20ms
- Relay Status: LED On = Activated
- Dimensions: 4.00" x 4.00" x 1.80" with .50" NPT nipple
- Wires: 16", 600V Rated
- Approvals: UL Listed, UL916, UL864, C-UL
California State Fire Marshal, CE, RoHS
- Housing Rating: UL Accepted for Use in Plenum, NEMA 1
- Gold Flash: Yes
- Override Switch: No

- Contact Ratings:
- 10 Amp Resistive @ 277 Vac
- 10 Amp Resistive @ 28 Vdc
- 480 VA Pilot Duty @ 240-277 Vac
- 480 VA Ballast @ 277 Vac
- Not rated for Electronic Ballast
- 600 Watt Tungsten @ 120 Vac (N/O)
- 240 Watt Tungsten @ 120 Vac (N/C)
- 1/3 HP @ 120-240 Vac (N/O)
- 1/6 HP @ 120-240 Vac (N/C)
- 1/4 HP @ 277 Vac (N/O)
- 1/8 HP @ 277 Vac (N/C)

- Coil Current:
- 33 mA @ 10 Vac 13 mA @ 10 Vdc
- 35 mA @ 12 Vac 15 mA @ 12 Vdc
- 46 mA @ 24 Vac 18 mA @ 24 Vdc
- 55 mA @ 30 Vac 20 mA @ 30 Vdc
- 28 mA @ 120 Vac (RIBTU2C)
- 39 mA @ 208-277 Vac (RIBTH2C)
- Coil Voltage Input:
- 10-30 Vac/dc ; 120 Vac ; 50-60 Hz (RIBTU2C)
- 10-30 Vac/dc ; 208-277 Vac ; 50-60 Hz (RIBTH2C)
- Drop Out = 2.1 Vac / 2.8 Vdc
- Pull In = 9 Vac / 10 Vdc