

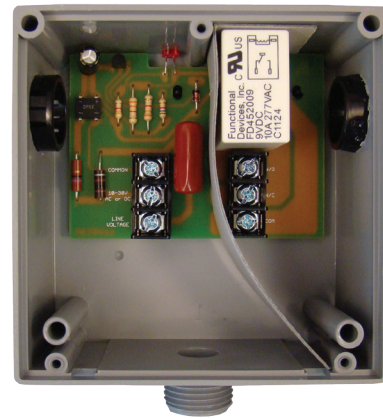
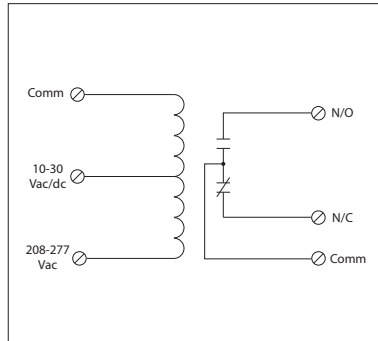
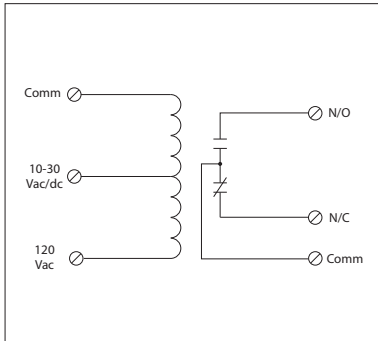
15 AMP PILOT CONTROL RELAYS

RIBU1CW

Enclosed Relay Hi/Low Separation 15 Amp SPDT with 10-30 Vac/dc/**120 Vac Coil**

RIBH1CW

Enclosed Relay Hi/Low Separation 15 Amp SPDT with 10-30 Vac/dc/**208-277 Vac Coil**



Made in USA Meets "Buy American" of ABRA 2009

RELAYS

SPECIFICATIONS

- # Relays & Contact Type: One (1) SPDT Continuous Duty Coil
- Expected Relay Life: 10 million cycles minimum mechanical
- Operating Temperature: -30 to 140° F
- Humidity Range: 5 to 95% (noncondensing)
- Operate Time: 20ms
- Relay Status: LED On = Activated
- Dimensions: 4.00" x 4.00" x 1.80" with .50" NPT nipple
- Approvals: UL Listed, UL916, UL864, C-UL California State Fire Marshal, CE, RoHS
- Housing Rating: UL Accepted for Use in Plenum, NEMA 1
- Gold Flash: Yes
- Override Switch: No

- Contact Ratings:
 - 15 Amp Resistive @ 150 Vac, 28Vdc
 - 15 Amp Inductive @ 150 Vac
 - 10 Amp Resistive @ 277 Vac
 - 480 VA Pilot Duty @ 240-277 Vac
 - 480 VA Ballast @ 277 Vac
 - Not rated for Electronic Ballast
 - 600 Watt Tungsten @ 120 Vac (N/O)
 - 240 Watt Tungsten @ 120 Vac (N/C)
 - 1/3 HP @ 120-240 Vac (N/O)
 - 1/6 HP @ 120-240 Vac (N/C)
 - 1/4 HP @ 277 Vac (N/O)
 - 1/8 HP @ 277 Vac (N/C)

- Coil Current:

33 mA @ 10 Vac	13 mA @ 10 Vdc
35 mA @ 12 Vac	15 mA @ 12 Vdc
46 mA @ 24 Vac	18 mA @ 24 Vdc
55 mA @ 30 Vac	20 mA @ 30 Vdc
28 mA @ 120 Vac (RIBU1CW)	
39 mA @ 208-277 Vac (RIBH1CW)	

- Coil Voltage Input:
 - 10-30 Vac/dc ; 120 Vac ; 50-60 Hz (RIBU1CW)
 - 10-30 Vac/dc ; 208-277 Vac ; 50-60 Hz (RIBH1CW)
 - Drop Out = 2.1 Vac / 2.8 Vdc
 - Pull In = 9 Vac / 10 Vdc