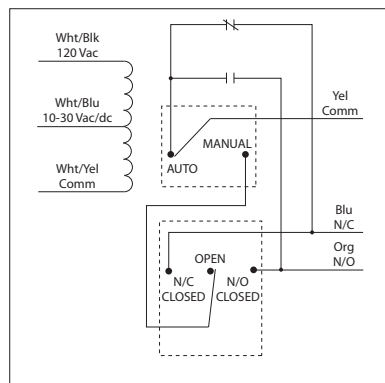


**10 AMP PILOT CONTROL RELAYS**

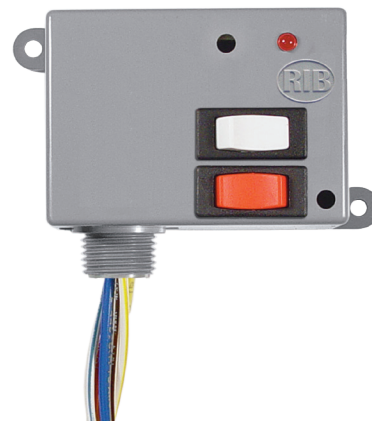
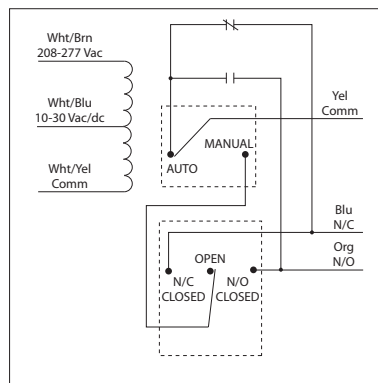
**RIBU1SC**

Enclosed Relay 10 Amp SPDT + Override with 10-30 Vac/dc/120 Vac Coil



**RIBH1SC**

Enclosed Relay 10 Amp SPDT + Override with 10-30 Vac/dc/208-277 Vac Coil



Made in USA Meets "Buy American" of ABRA 2009

RELAYS

**SPECIFICATIONS**

- # Relays & Contact Type: One (1) SPDT Continuous Duty Coil
- Expected Relay Life: 10 million cycles minimum mechanical
- Operating Temperature: -30 to 140° F
- Humidity Range: 5 to 95% (noncondensing)
- Operate Time: 20ms
- Relay Status: LED On = Activated
- Dimensions: 2.30" x 3.20" x 1.80" with .50" NPT nipple
- Wires: 16", 600V Rated
- Approvals: UL Listed, UL916, UL864, C-UL California State Fire Marshal, CE, RoHS
- Housing Rating: UL Accepted for Use in Plenum, NEMA 1
- Gold Flash: Yes
- Override Switch: Yes (2)

- Contact Ratings:**
- 10 Amp Resistive @ 277 Vac
- 480 VA Pilot Duty @ 277 Vac
- 480 VA Ballast @ 277 Vac
- Not rated for Electronic Ballast
- 600 Watt Tungsten @ 120 Vac (N/O)
- 240 Watt Tungsten @ 120 Vac (N/C)
- 1/3 HP @ 120-240 Vac (N/O)
- 1/6 HP @ 120-240 Vac (N/C)
- 1/4 HP @ 277 Vac (N/O)
- 1/8 HP @ 277 Vac (N/C)

- Coil Current:**
- 33 mA @ 10 Vac      13 mA @ 10 Vdc
- 35 mA @ 12 Vac      15 mA @ 12 Vdc
- 46 mA @ 24 Vac      18 mA @ 24 Vdc
- 55 mA @ 30 Vac      20 mA @ 30 Vdc
- 28 mA @ 120 Vac (RIBU1SC)
- 39 mA @ 208-277 Vac (RIBH1SC)
- Coil Voltage Input:**
- 10-30 Vac/dc ; 120 Vac ; 50-60 Hz (RIBU1SC)
- 10-30 Vac/dc ; 208-277 Vac ; 50-60 Hz (RIBH1SC)
- Drop Out = 2.1 Vac / 2.8 Vdc
- Pull In = 9 Vac / 10 Vdc