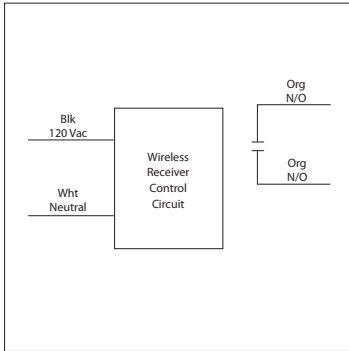


WIRELESS CONTROL RELAYS WITH TWO-WAY COMMUNICATION

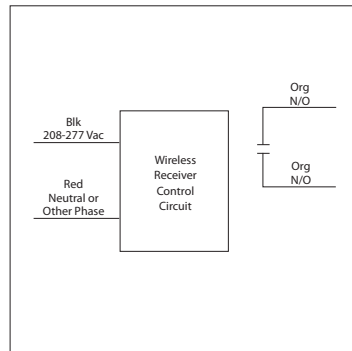
RIBW01C-EN3

Enclosed EnOcean® Enabled Wireless Relay Receiver / Repeater 5 Amp SPST-N/O, 120 Vac Power Input



RIBW02C-EN3

Enclosed EnOcean® Enabled Wireless Relay Receiver / Repeater 5 Amp SPST-N/O, 208-277 Vac Power Input



Meets "Buy American" of ARRA 2009



SMALLER SIZE DESIGN TO FIT INSIDE BALLAST HOUSING OF FLUORESCENT LIGHT FIXTURE.

SPECIFICATIONS

- # Relays & Contact Type: One (1) SPST Continuous Duty Coil
- Expected Relay Life: 10 million cycles minimum mechanical
- Operating Temperature: -30 to 140° F
- Humidity Range: 5 to 95% (noncondensing)
- Red LED: Relay Status / Learn Mode Status (Flashing)
- Dimensions: 4.60" x 1.20" x 1.70"
- Wires: 16", 600V Rated
- Approvals: UL Listed, UL916, C-UL
- Gold Flash: No
- Override Switch: No
- Frequency: 902 MHz
- Receiver Sensitivity: -93 dBm typical
- Conducted Power: 5 mW typical
- Built-in Switch Modes: Alarm, Repeater, Delay, Rocker, Momentary, and Toggle

- Contact Ratings:
 - 5 Amp Ballast @ 120/277 Vac
 - 5 Amp Tungsten @ 120 Vac
 - 5 Amp Electronic Ballast @ 120 Vac
- Power Input Ratings:
 - 75 mA @ 120 Vac ; 60 Hz (RIBW01C-EN3)
 - 100 mA @ 208-277 Vac ; 60 Hz (RIBW02C-EN3)

- Notes:**
- Compatible with EnOcean® 902 MHz Switches/Transmitters.
 - Typical range: 50-150 ft.
 - Open area transmission could be farther. Consult factory for more information.
 - Repeater function only rebroadcasts original EnOcean® transmission. Up to two repeaters can be used.
 - For setup instructions, see website for -EN3 Series: www.functionaldevices.com/pdf/bulletins/B1867_393231.pdf or scan QR code with your smart phone.

