

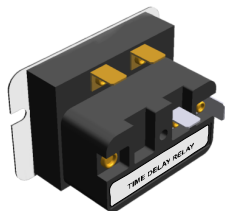


Sealed Units Parts Co., Inc
 PO Box 21, Landmark Place
 Allenwood, NJ 08720 USA
 www.supco.com



TIME DELAY RELAY

MODEL NUMBER
 SERIES. S106



Description & Operation

The S106 Series Time Delay Relay is a device for use in controlling electric operating devices at a predetermined time interval after the heater timer is energized. The heater timer is connected to a 24 volt circuit and this circuit may be energized remotely by a manual switch, room thermostat, or some other automatic electric contacting device. The unit is also designed to meet requirements where a time delay is not a disadvantage to the system performance and where silent operation is desired over the possible objectionable noise of conventional relay or solenoids.

Ambient Compensated

All S106 Series Time Delay Relays are ambient compensated to ± 10 Seconds from 0 to 200°F.

Electrical Data

1. Motor Rating:

Between Terminals 2 and 4:

Running . . . 13.8 amps at 120 VAC, 8 amps at 240 VAC.

Locked Rotor . . . 82.8 amps at 120 VAC, 48 amps at 240 VAC.

Between Terminals 2 and 4:

Running . . . 5.8 amps at 120 VAC, 2.9 amps at 240 VAC.

Locked Rotor . . . 34.8 amps at 120 VAC, 17.4 amps at 240 VAC.

2. Time Mechanism Rating: 24 VAC - 0.1 amps.

Model	Switch Action	Time On (Sec)	Time Off (Sec)
S1061A4575C	SPST	30 to 50	60 to 90
S1061A5040C	SPST	45 to 55	30 to 50
S1061A40100C	SPST	35 to 45	80 to 110
S1061A5560C	SPST	50 to 60	45 to 75
S1061B6545C	SPDT	60 to 70	45 to 75

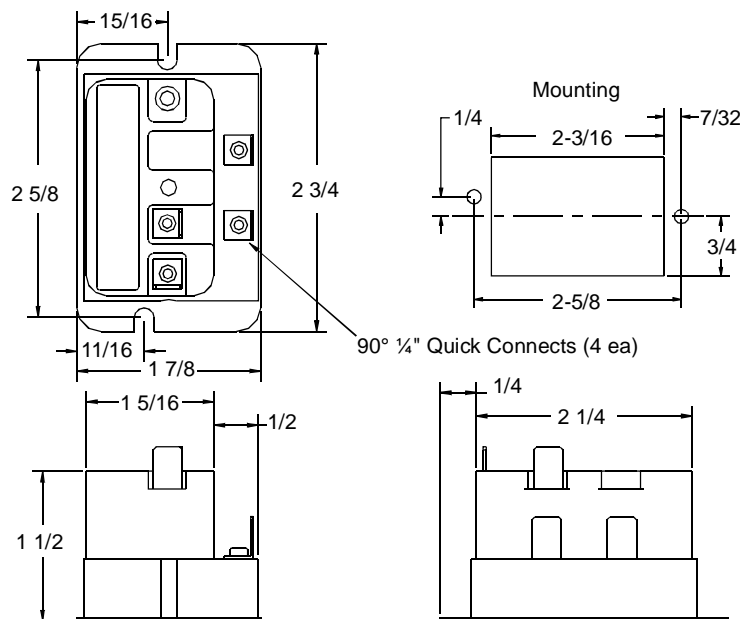
8173061000



Sealed Units Parts Co., Inc
 PO Box 21, Landmark Place
 Allenwood, NJ 08720 USA
 www.supco.com

TIME DELAY RELAY

MODEL NUMBER
 SERIES. S106



Wiring

1. All Wiring must conform to local electric ordinances.
2. A typical connection is shown in the Wiring Diagram below.

