

Features

- 2-way normally closed operation
- For gas pilot control of commercial and industrial gas burners
- Direct lift with resilient soft seating for tight shutoff
- Valves provided with 1/8" NPT downstream pipe tap with plug for routine testing
- Suitable for ambient temperatures up to 175°F

Fluid

Fuel Gas

Construction

Valve Parts in Contact with Fluids	
Body	Aluminum
Seals and Disc	NBR
Core Tube	305 Stainless Steel
Core and Plugnut	430F Stainless Steel
Springs	17-7PH
Shading Coil	Copper
Pipe Plug	Zinc-Plated Steel

Electrical

Standard Coil Class of Insulation	Watt Rating and Power Consumption			Ambient Temp. °F	Spare Coil Family
	AC				General Purpose
	Watts	VA Holding	VA Inrush		AC
F	6.1	16	40	-40 to 175	238210

Standard Voltages: 24, 120, 240 volts AC, 60 Hz (or 110, 220 volts AC, 50 Hz).

Solenoid Enclosures

Standard: Watertight, Types 1, 2, 3, 3S, 4, and 4X with 1/2" conduit hub.

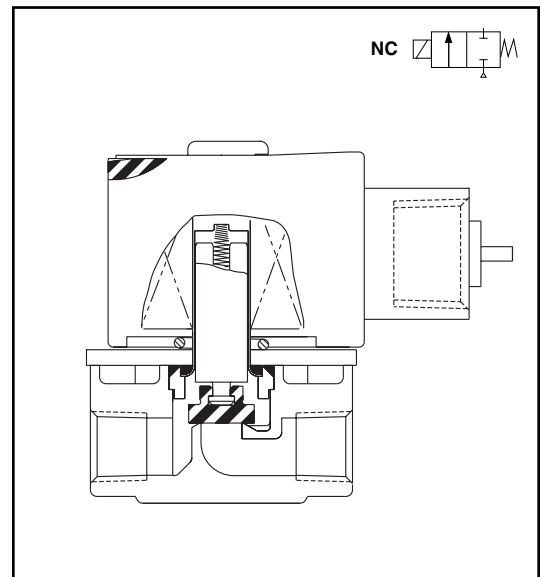
Valve Response Time

Opening Time: Less than 1 second

Closing Time: Less than 1 second

Options

Extended lead length (Suffix "K"): Provides 72" lead length vs. 18" lead length (EX: SV311A02N6AF5K).



Approvals

UL listed to standard 429 "Electrically Operated Valves."

FM Approved to Class 7400 "Liquid and Gas Safety Shutoff Valves."

CSA Certified to:

- 1) Standard C22.2 No. 139 "Electrically Operated Valves," File 010381.
- 2) Automatic Gas Valves Z21.21 (6.5), File 112872
- 2) Automatic Gas Safety Shutoff Valves C/I (3.9), File 112872

Specifications (English units)

Pipe Size (in)	Orifice Size (in)	Cv Flow Factor	Gas Capacity ①		Operating Pressure Differential (psi)		Max. Fluid Temp. °F	Catalog Number			Const. Ref.	Agency			Wattage ②	Approx. Shipping Weight (lbs)
			Btu/hr.	Min.	Max.	24V 60 Hz		110-120V 50-60 Hz	220-240V 50-60 Hz	UL		FM	CSA			
COMBUSTION (Fuel Gas) - NORMALLY CLOSED																
1/8	5/16	1.0	53,700	0	15	125	SV311A01N6AF5	SV311A02N6AF5	SV311A04N6AF5	1	○	○	○	6.1	1.8	
1/4	5/16	1.1	59,000	0	15	125	SV311A01N6BF5	SV311A02N6BF5	SV311A04N6BF5	1	○	○	○	6.1	1.8	
3/8	5/16	1.2	64,000	0	15	125	SV311A01N6CF5	SV311A02N6CF5	SV311A04N6CF5	1	○	○	○	6.1	1.8	

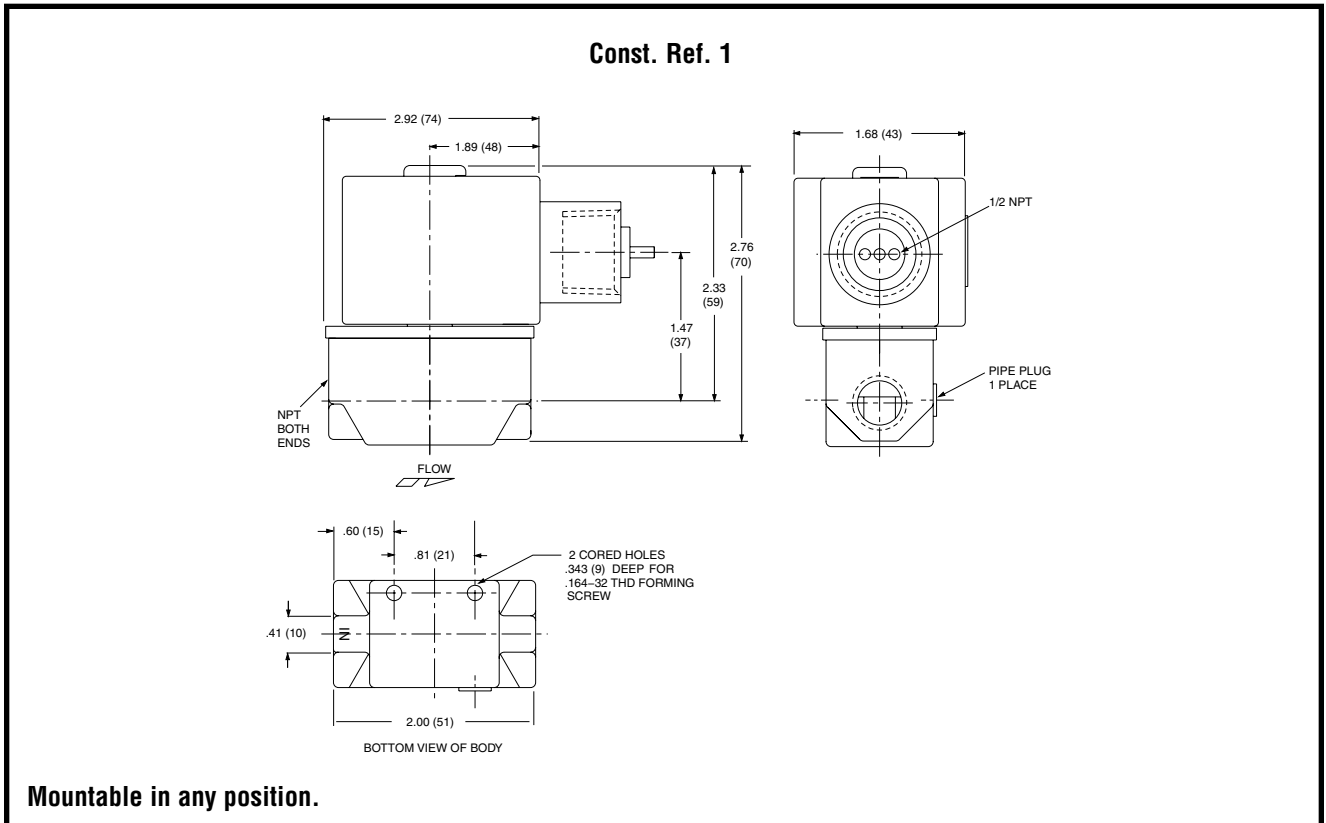
○ = Safety Shutoff Valve. ① 1" W.C. Drop @ 2" W.C. Inlet Pressure, 1,000 Btu/cu.ft. or more, 0.64 Specific Gravity Gas; ② On 50 Hz service watt rating is 8.1.

Specifications (Metric units)

Pipe Size (in)	Orifice Size (mm)	Kv Flow (m³/hr)	Gas Capacity ①		Operating Pressure Differential (bar)		Max. Fluid Temp. °C	Catalog Number			Const. Ref.	Agency			Wattage ②	Approx. Shipping Weight (kgs)
			Btu/hr.	Min.	Max.	24V 60 Hz		110-120V 50-60 Hz	220-240V 50-60 Hz	UL		FM	CSA			
COMBUSTION (Fuel Gas) - NORMALLY CLOSED																
1/8	8	0.9	53,700	0	1	52	SV311A01N6AF5	SV311A02N6AF5	SV311A04N6AF5	1	○	○	○	6.1	0.8	
1/4	8	0.9	59,000	0	1	52	SV311A01N6BF5	SV311A02N6BF5	SV311A04N6BF5	1	○	○	○	6.1	0.8	
3/8	8	1.0	64,000	0	1	52	SV311A01N6CF5	SV311A02N6CF5	SV311A04N6CF5	1	○	○	○	6.1	0.8	

○ = Safety Shutoff Valve. ① 1" W.C. Drop @ 2" W.C. Inlet Pressure, 1,000 Btu/cu.ft. or more, 0.64 Specific Gravity Gas; ② On 50 Hz service watt rating is 8.1.

Dimensions inches (mm)



COMBUSTION