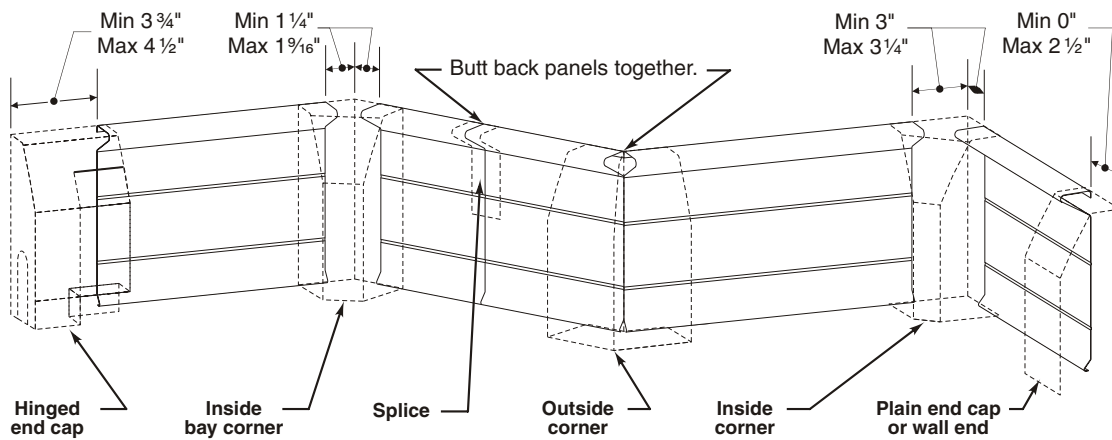


THERMA TRIM

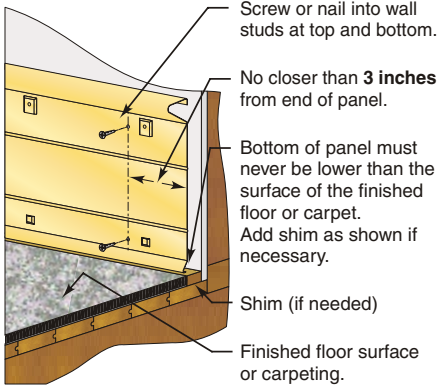
MODEL TT HYDRONIC BASEBOARD ASSEMBLY INSTRUCTIONS

1 Position back panels

Back panels must be positioned correctly to accommodate accessories, as shown below.

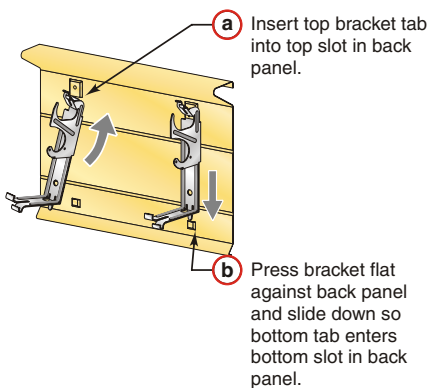


2 Attach back panel to wall



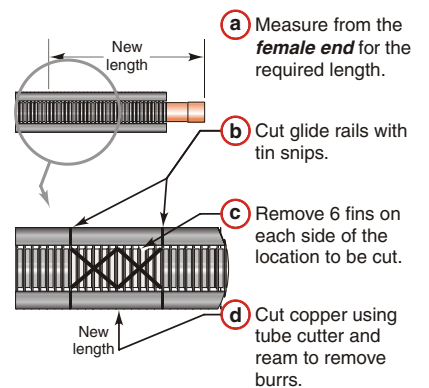
3 Install brackets

Position brackets evenly along length of panel, approximately every 2 feet.

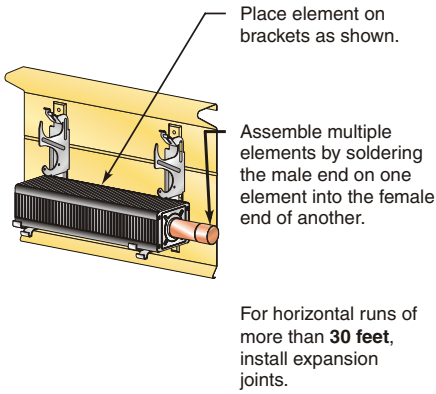


4 Cut element

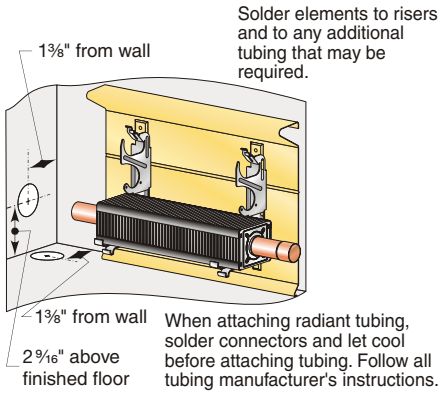
When a shorter length is needed



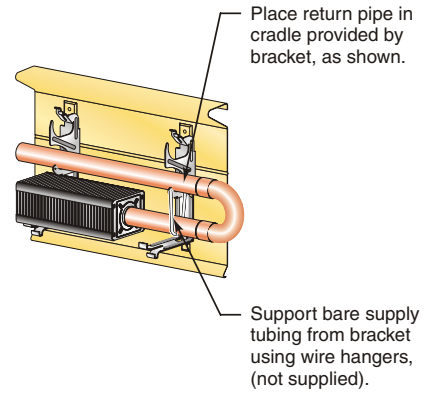
5 Install element



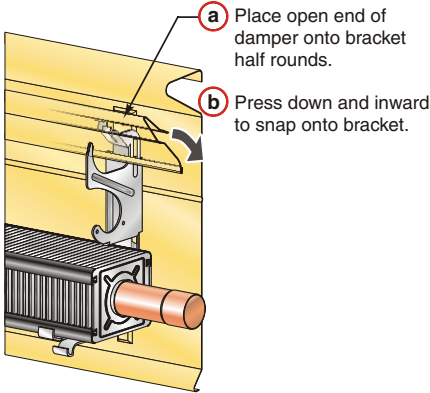
6 Holes for risers & connectors



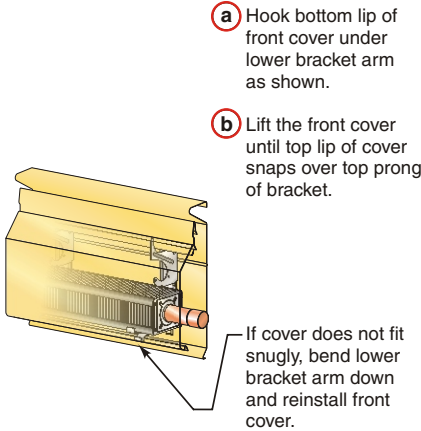
7 Support bare tubing



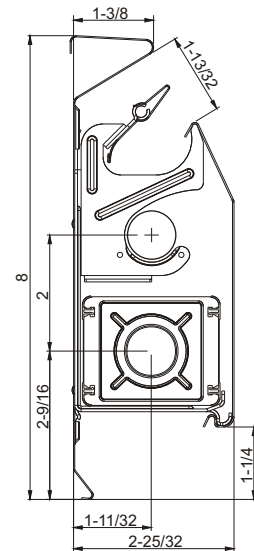
8 Install damper



9 Install front cover



Dimensions



Ratings



Therma Trim Model TT I=B=R Approved Water Ratings

Capacities in BTU/Hr. per Linear Foot with 65°F Entering Air

Water Flow Rate		Average Water Temperature (°F)					
GPM	Lbs/Hr	170	180	190	200	210	220
1	500	510	580	650	710	780	850
4	2000	540	610	690	750	820	900

Notes: I=B=R approved water ratings are based on the active (fined) length and include the 15% addition for heating effect allowed by the I=B=R Testing and Rating Code for Baseboard Type of Radiation. The active length is 3" less than the enclosure length. Ratings apply to the assembly with the damper installed and adjusted to the normally open position.

The heating elements are constructed of 3/4" nominal copper tubing expanded into 1 7/8" x 2 11/32" aluminum fins, which are spaced 67 to the foot; fin thickness is .008". Elements are unpainted.

Use of I=B=R ratings at the 4 gpm flow rate is limited to installations in which the water flow rate through the baseboard unit is equal to or greater than 4 gpm. Where the water flow rate is not known, the I=B=R ratings at the standard flow rate of 1 gpm must be used. Flow rates exceeding 6 gpm should be avoided because of possible noise.

Pressure drop through Therma Trim Baseboard is 0.047" of water per linear foot at the 1 gpm flow rate. At the 4 gpm flow rate, pressure drop is 0.525" of water per linear foot.



WEIL-McLAIN

Weil-McLain
500 Blaine Street
Michigan City, IN 46360-2388
<http://www.weil-mclain.com>

550-110-762/0400