

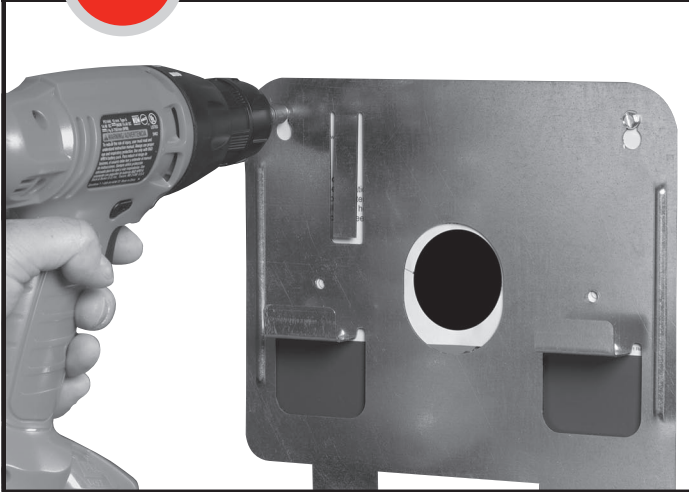
## TrueSTEAM

As Easy as 1-2-3-4

### PROFESSIONAL INSTALLATION GUIDE

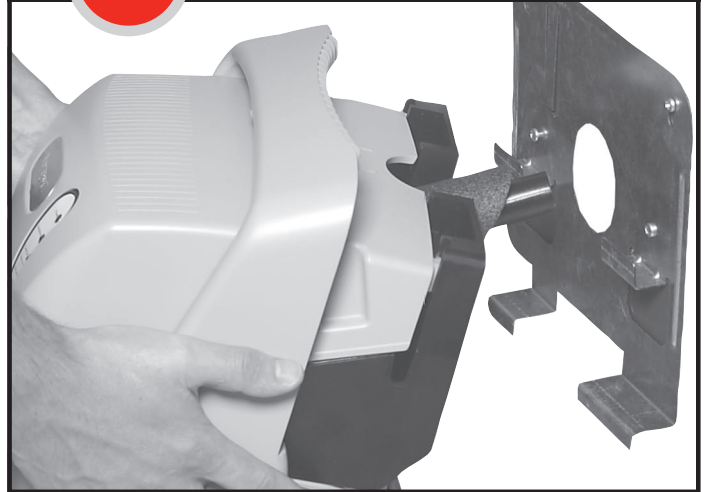
**1**

**Mount**



**2**

**Hang**



**3**

**Plumb**



**4**

**Wire**



See inside for detailed instruction and remote mounting options!



## TABLE OF CONTENTS

Installation Recommendations .....	1
List of tools/supplies .....	2
Safety Precautions .....	3
<b>Duct Mount Instructions</b>	
Installation.....	4
<b>Remote Mount Instructions</b>	
Installation.....	6
<b>Plumbing and Wiring</b>	
Plumbing .....	12
Wiring .....	13
DIP Switch Selection.....	17
Troubleshooting.....	18
Cleaning and Seasonal or Vacation Maintenance.....	22
<b>Additional Information</b>	
Parts List.....	24

### Need Help?

For assistance with this product please visit <http://yourhome.honeywell.com>  
or call Honeywell Customer Care toll-free at **1-800-468-1502**

## Read and save these instructions.

® U.S. Registered Trademark.  
Patents pending.

Copyright © 2008 Honeywell International Inc. All rights reserved.

## INSTALLATION RECOMMENDATIONS

Make your TrueSTEAM installations accurate and efficient by addressing these commonly asked questions:

### Sizing for the Job

1. Selecting the appropriate humidifier for the job is critical:

The table below illustrates the square footage a TrueSTEAM humidifier can serve.

It is not recommended to install a 6 gallon device in a home larger than 2000 square feet.

Square Feet of Space	500	1000	1500	2000	2500	3000
ARI* Recommended Output Delivery (GPD)	0.1	2.2	4.4	6.5	8.6	11.7
TrueSTEAM HM512 - True 12 Gallons						
TrueSTEAM HM509 - True 9 Gallons						
TrueSTEAM HM506 - True 6 Gallons						

\* ARI Guideline F-2007 for maintaining 35% RH in a tight, residential four-person home with 8-ft. ceilings. Outdoor conditions = 20°F and 70% RH.

### Installation Check-out List

- Install the in-line water filter and back-flow prevention valve.
- Check that the main water supply line is open.
- Ensure there are no water leaks/drips at any of the water connections.
- Plug into a circuit with at least enough capacity to power the unit.
- Generate a call for humidity from the control and ensure TrueSTEAM fills and the Humidify light turns on, indicating steam is being generated.
- Test the drain by pressing the EMPTY button until the Clean Tank light begins blinking, indicating a drain cycle has begun.

**NOTE:** It may take approximately 10 minutes for the tank to fully flush and drain. TO BYPASS AND DRAIN IMMEDIATELY, Press and hold the EMPTY button again while the Clean Tank light is blinking. This will bypass the flush and immediately drain the tank. TO STOP draining, press the Reset button.

- Mount the provided yellow tank service sticker on the duct/wall near the unit. Ensure the drain hose is secured to prevent inadvertent disconnection. Check that the hose is plumbed to a drain/condensate to prevent water spurting.

---

## INSTALLATION RECOMMENDATIONS

### **Setting Homeowner Expectations for the TrueSTEAM Experience:**

It may take up to a week of continuous operation to achieve the humidity set point, depending on weather, size of home, furnishings in the home, insulation, etc.

If using a six (6) gallon unit, the most appropriate setpoint is 30-35% or until there is condensation on the windows, then lower the setpoint (if not in frost protection mode). If the home can't achieve the setpoint, the unit may be under-sized (if home is under 2000 sq ft, this can also be due to insulation, windows, arid climate, etc.) or the outdoor temperature may be too low to maintain adequate humidity levels. Honeywell recommends waiting for the temperature to moderate closer to 20°F (-6°C).

If this occurs and the selected humidity levels are not achieved, then a larger capacity model may be needed.

For the first week of operation, it is normal to experience a slight plastic odor in the home, depending on the amount of supplied ventilation. If the remote hose is used, there may be a slight rubber odor. These odors will dissipate within days of installation.

If the homeowner sees that TrueSTEAM is not humidifying but there is a call for humidity, it is likely the unit is operating in drain cycle mode. Ask the homeowner to check again in an hour if they are concerned the device may not be operating.

If the Call Service light is blinking, instruct the homeowner to press and hold the Reset button to clear the fault. If the fault doesn't clear, unplug the power to TrueSTEAM and plug back in to the electrical outlet. Wait 24 hours prior to calling a contractor. The call service light may be blinking due to a low voltage condition in the area and will reset to operate correctly when full power is restored.

There may be a slight increase in the homeowner's energy consumption. However, when operating correctly, TrueSTEAM will make the home feel warmer, allowing the homeowner to lower the temperature setting on the thermostat. Every degree lower on the thermostat can save up to 3% on heating costs.

## WHAT YOU WILL NEED TO INSTALL TRUESTEAM

### Tools/Hardware needed:

- Wire stripper/cutter
- Drill or duct-cutting tool
- 1-3/4-in. hole saw
- 1/8-in. drill bit
- Phillips and slotted (or Torx) screwdriver
- 18-gauge thermostat wire (5 or 2 conductor)

### Material Provided:

- 1/4-in. copper or plastic water line
- 1/2-in. drain hose and clamps
- Mounting bracket and hardware
- In-line water filter\* (50028044-001)
- Saddle valve
- Back-flow valve (50030142-001)

### Options:

- Remote Installation Kits
  - 10-foot hose and nozzle kit (50024917-001)
  - 20-foot hose and nozzle kit (50024917-002)
- Humidity Controls
  - Manual Humidistat (H8908ASPST)
  - TrueIAQ (DG115EZIAQ)
  - VisionPRO IAQ (YTH9421C1010)
- Water line T-fitting
- Manual shut-off valve
- Remote hose P-trap
- Remote mount duct board adapter kit (32005530-001)
- Differential pressure switch (50027910-001)



\* Warranty requires in-line water filter installation with regular service.

## SAFETY PRECAUTIONS



### **CAUTION: Voltage Hazard.**

Can cause electrical shock or equipment damage.  
Disconnect HVAC equipment before beginning installation.

### **Safety Precautions**

- Do not direct the steam nozzle at people.
- If used near a pool or spa, ensure the TrueSTEAM can not fall into the water or be splashed. Also, ensure the TrueSTEAM is plugged into a GFI ground fault interrupt outlet.
- Water inside tank can be very hot. Follow installation instructions and service steps exactly as given in the technical literature.



### **Warning: Electrocution, Heavy Equipment, and Chemical Hazard.**

Can cause death, blindness, water damage to home and heating element failure.

- Do not cut into any air conditioning or electrical line
- Wear safety glasses when cutting or drilling.
- Mount the humidifier in a level position to avoid water damage or heating element failure.
- Reinforce duct as necessary to ensure stability.

The preferred installation location is on the warm or supply side of the furnace. If that location is not possible, the steam nozzle should be inserted a minimum of 12 in. upstream of the furnace filter. Depending on the location and the duct rigidity, additional duct reinforcement may be necessary.



### **Warning: Steam Condensation, Fire, and Freezing Water Hazard.**

Can cause failure of fan or limit control or result in water damage to home.

- Do not install the humidifier where the ambient temperature is lower than 32°F (0°C) or higher than 120°F (49°C).
- Do not install the humidifier through sidewalls of a return air duct made of wood (e.g., floor joist).
- The mounting area must be strong enough to support the humidifier's weight when it is full of water (approximately 12 to 15 lbs.), and to hold the humidifier in a level position for safe, reliable operation. Otherwise, additional duct or wall reinforcement will be necessary.
- If the ducting has exposed insulated materials on the interior, ensure the nozzle extends beyond the insulation by clearing away excess insulation at the insertion point. You may wish to replace a section of insulated duct (approximately 6 in. x 6 in.) with rigid, non-insulated sheet metal to ensure effective installation.
- Mount the unit where it will have smooth air flow across the end of the steam nozzle.
- Allow at least 1 foot clearance to ventilation holes in humidifier's cover. Do not cover these holes. Covering them can increase the internal operating temperature of the humidifier and shorten the humidifier's life.
- Allow at least 4 inches of clearance between the steam nozzle insertion hole and the top of the interior duct to avoid condensation forming. The mounting template is designed to allow clearance if the top of the template is at or below the top surface of the interior duct.
- Do not mount directly to duct board. Remote mount nozzle attachment allowed only when using with a duct board adapter kit (part #32005530-001).
- Do not install in completely enclosed spaces, such as a cabinet or unventilated closet. Choose a location that is well ventilated.

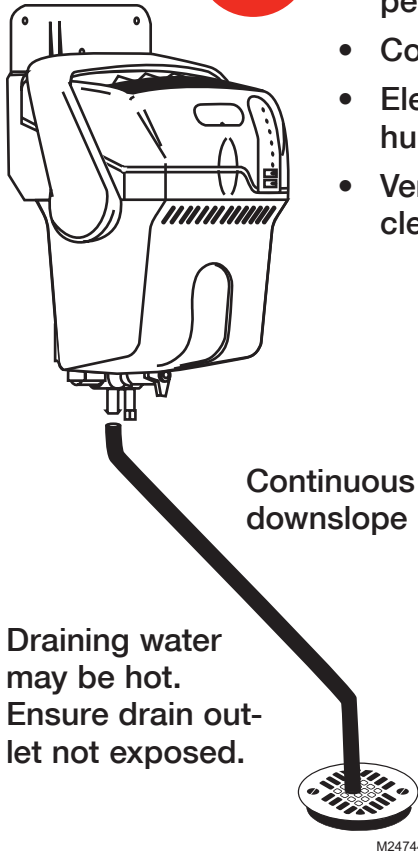
If installing the humidifier directly to the supply duct, follow steps on pages 5–6 and 13–18.  
 If mounting remote from the duct, follow steps on pages 7–18.

## DUCT MOUNT INSTALLATION

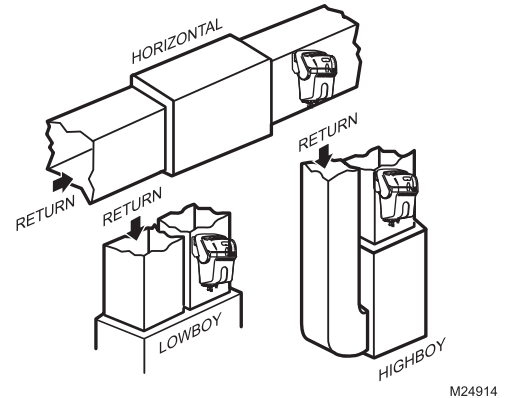
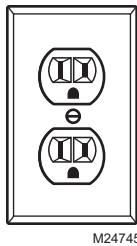
**1**

Choose a location that has access to a:

- Drain allowing a slope of 1/4 in. per foot of drain hose.
- Cold water line.
- Electrical circuit rated to your humidifier.
- Vertical surface with adequate clearances.



Draining water may be hot. Ensure drain outlet not exposed.



### Required Minimum Circuit Capacity

Model	Required Minimum Circuit Capacity
HM506	7 Amps
HM509	10 Amps
HM512	12 Amps



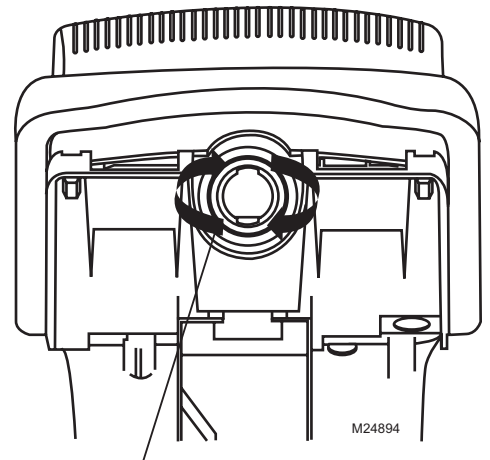
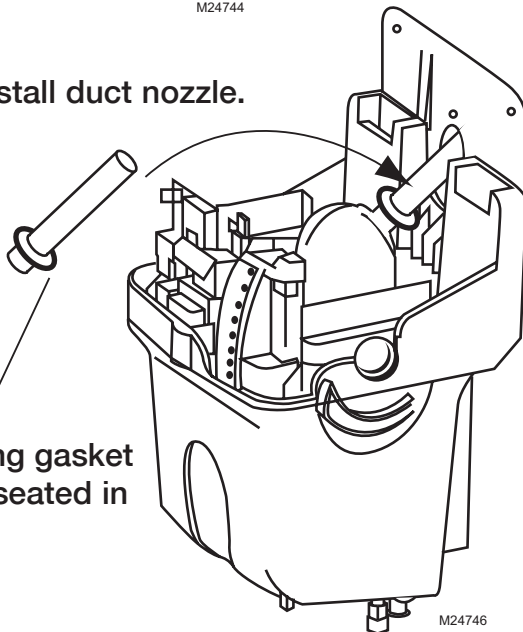
### CAUTION

Hot water temperature above 120°F (49°C) can cause burns from scalding.

**2**

Install duct nozzle.

Ensure o-ring gasket is properly seated in the groove.



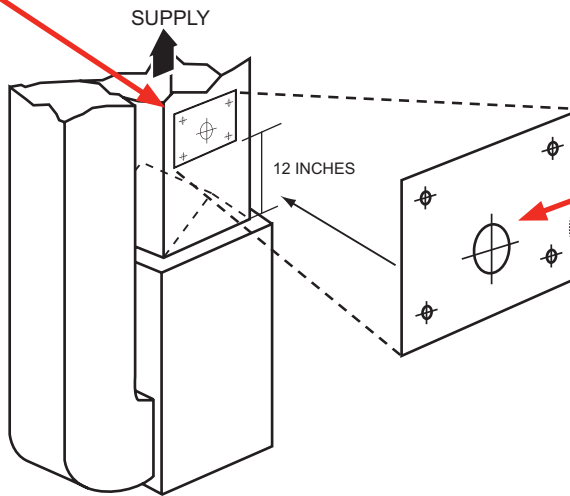
Insert nozzle and twist clockwise to ensure tight seal of nozzle to TrueSTEAM.



## DUCT MOUNT INSTALLATION

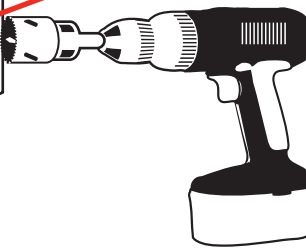
**3**

Position template sticker on supply duct. For tall coils that do not have this clearance available, refer to remote mounting instructions.



**4**

Drill 1-3/4-in. hole.



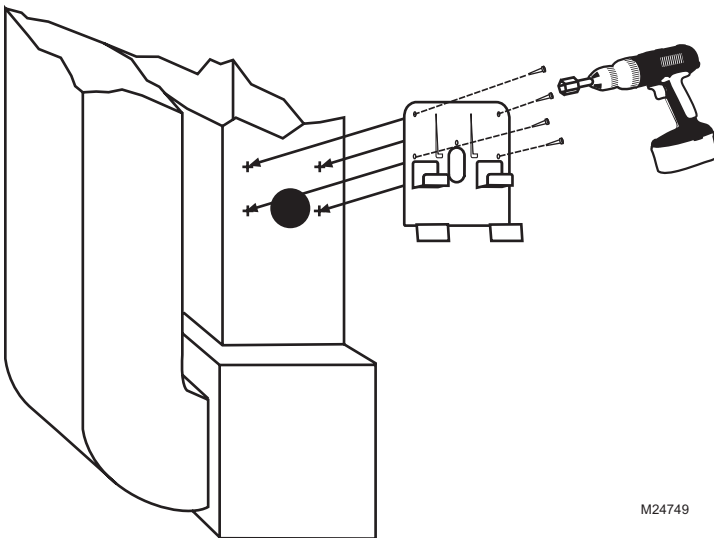
M24748

**5**

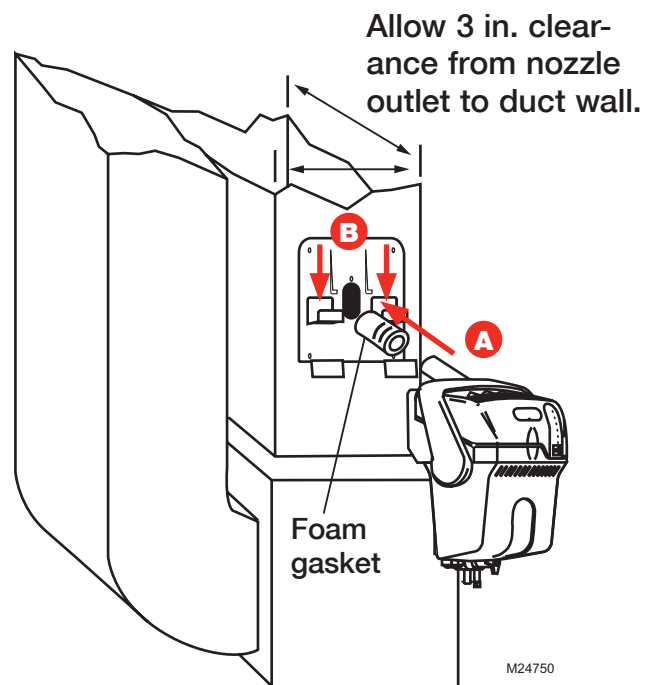
Secure bracket to duct using #8 self-drilling sheet metal screws (4).

**6**

- A) Slide foam gasket over nozzle and insert the nozzle into duct hole (pictured).
- B) Push down to secure humidifier to bracket arms. Ensure gasket forms tight seal in duct hole.



M24749



M24750

**Proceed to page 13 for plumbing and wiring instructions.**



## REMOTE MOUNT INSTALLATION

Use for mounting to a location other than the supply duct.

Most operation problems are caused by improper hose installation. Always ensure an uphill flow when installing the remote hose, and avoid kinks, sharp turns, or low spots that could restrict the flow of steam into the injection nozzle or condensation back into the humidifier.

If the remote hose cannot be installed with an upward pitch of 2 in./ft., a wetted drip tee must be installed. Failure to do so can result in back pressure on TrueSTEAM, which can lead to duct nozzle water spitting or leaking gasket. Remote hose must be supported to prevent sagging or low spots.

**When remote mounting**, also follow these critical steps in sizing the proper TrueSTEAM:

If the steam distribution tube is going into an unconditioned air space (e.g., attic), insulate the tube to ensure steam output efficiency:

- Honeywell recommends self-seal pipe insulation for hot and cold water pipes. Insul-Tube 1-1/8 in. ID x 1/2 in. wall 25/50 Factory Mutual 062411, flame retardant added.

The 6-gallon model (HM506) can be remotely mounted up to:

- 5 feet without insulating the steam distribution tube
- 15 feet if insulating the steam distribution tube

The 9- and 12-gallon models (HM509 and HM512) can be remotely mount up to 20 feet with or without insulating the steam distribution tube.

Ensure at least 2 in. per foot slope if installing the remote hose horizontally.

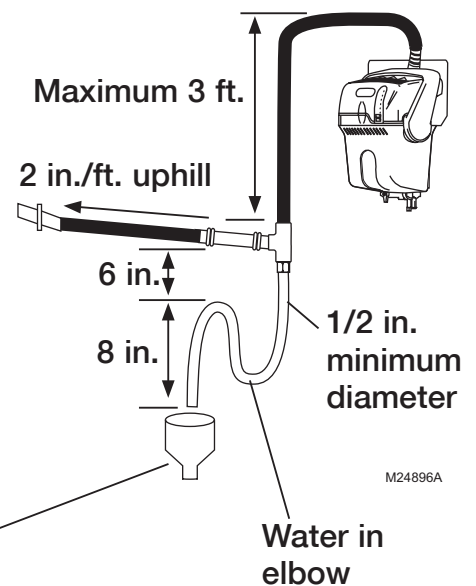
1

Choose a location for TrueSTEAM and the remote duct nozzle (see remote installs on pages 6–7).

It should have access for:

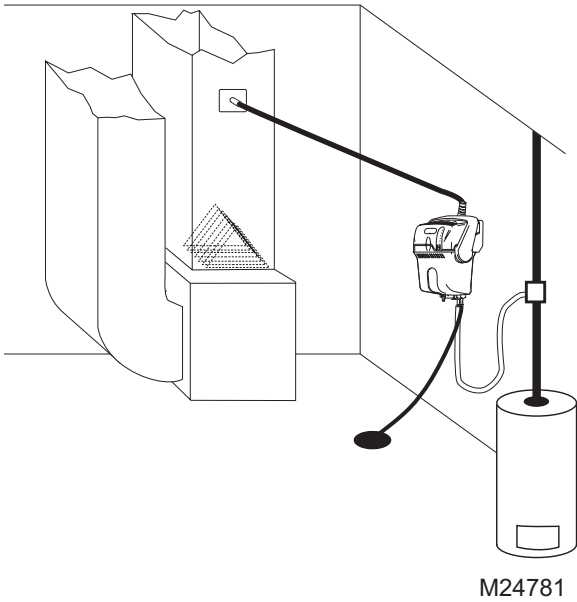
- Remote hose installation. Steam hose must be installed with 2 in./ft. pitch on a continuous uphill slope.
- Drain. Allow a continuous downslope to the drain.
- Cold water line.
- Electrical circuit rated to your humidifier (see circuit ratings on page 10).

Funnel or floor drain. Refer to governing codes for drain pipe size and maximum temperature requirements.



## PROPER HOSE INSTALLS

### Furnace or Mechanical Room Remote



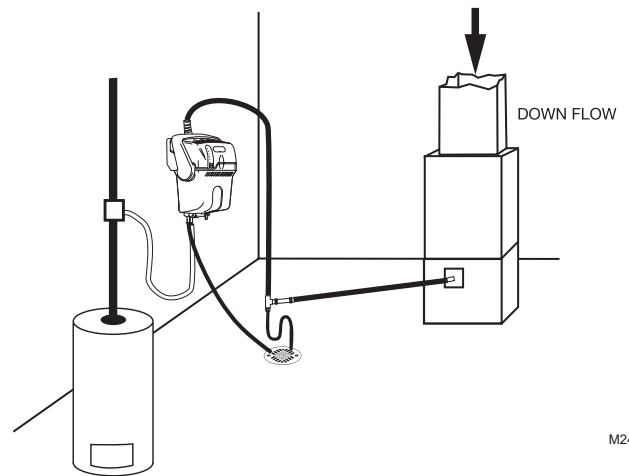
**Note:** If air handler location temperatures will drop below freezing at any time, TrueSTEAM must be mounted in a conditioned space, running a remote hose to the duct.



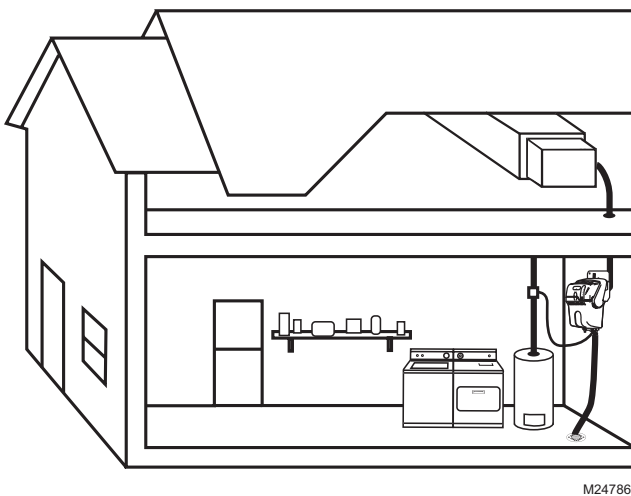
#### CAUTION

Hot water temperature above 120°F (49°C) can cause burns from scalding.

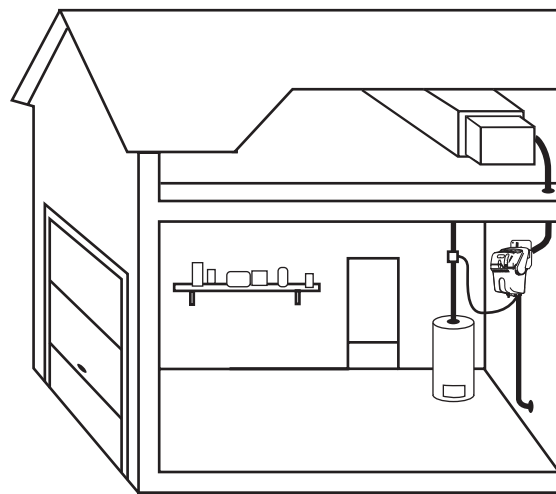
### Duct Mount Remote



### Living Area Remote Options

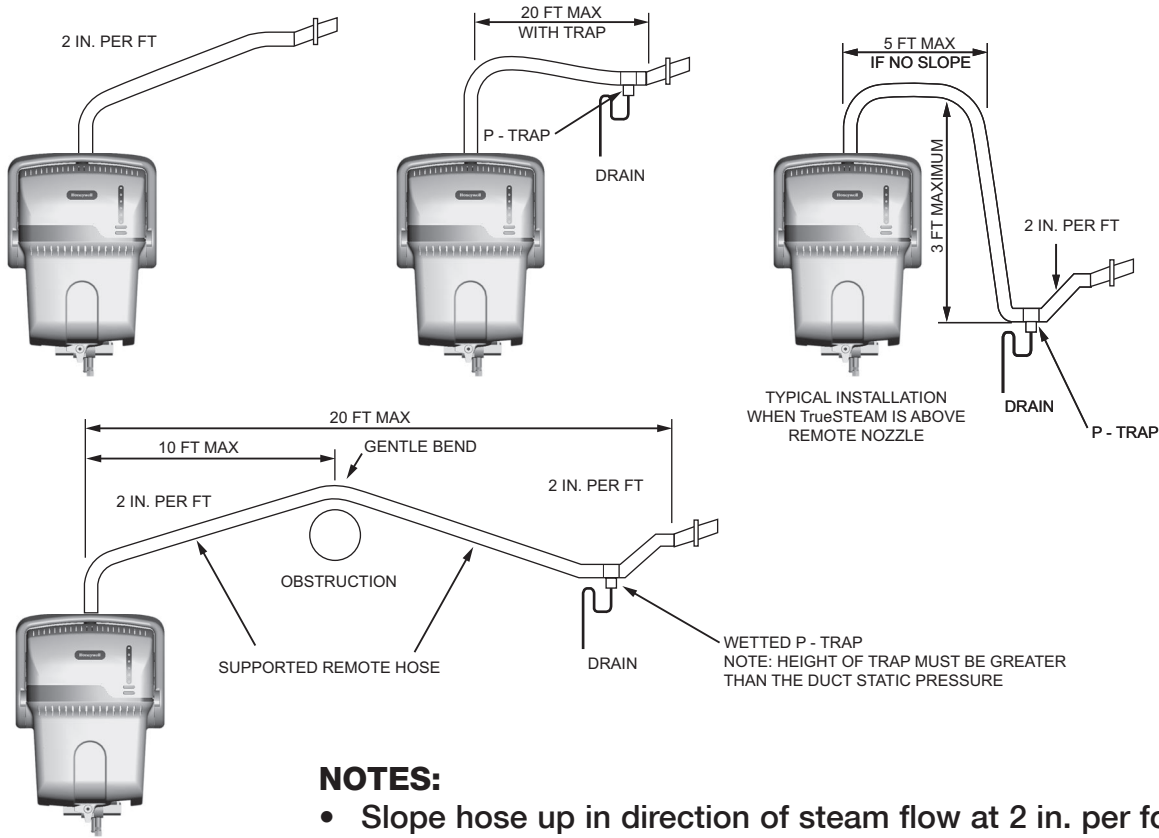


### Garage Remote



Draining water may be hot. Ensure drain outlet not exposed.

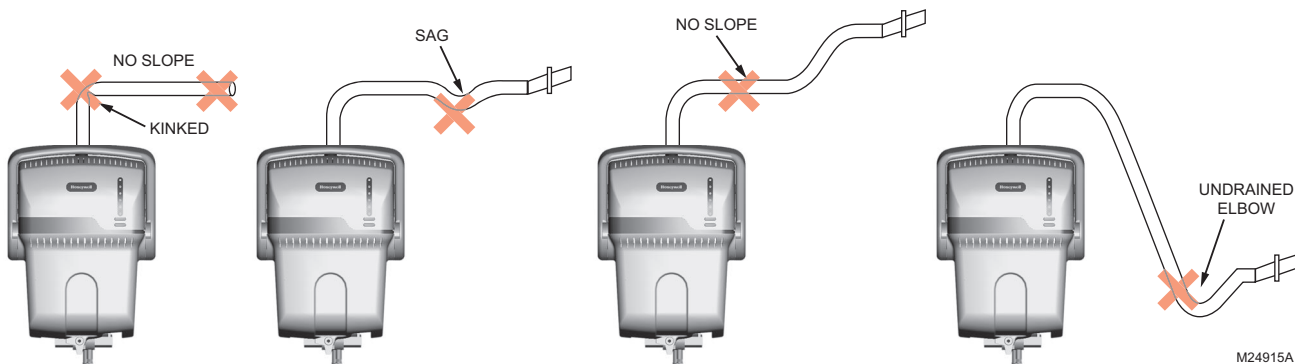
## PROPER HOSE INSTALLS



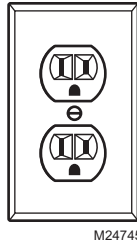
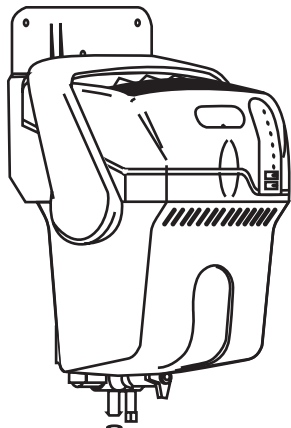
### NOTES:

- Slope hose up in direction of steam flow at 2 in. per foot;
- Slope hose down in direction of steam flow at 3/4 in. per foot;
- Maximum length of remote steam hose is 20 ft.
- Height of P-traps must be greater than the duct static pressure. (Typical 3 in. will suffice.) P-trap must also be wetted (see page 7).
- Minimize sharp bends and elbows.
- Insulating the remote hose in unconditioned spaces will sustain efficiency better than not insulating the hose.

### AVOID THESE INSTALLATION MISTAKES.



## REMOTE MOUNT INSTALLATION

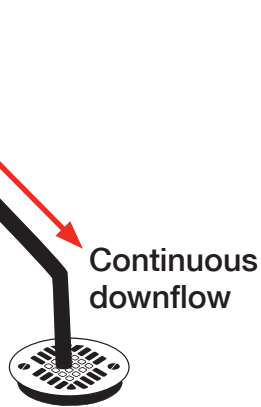


M24745

Model	Minimum Circuit Capacity
HM506	7 Amps
HM509	10 Amps
HM512	12 Amps

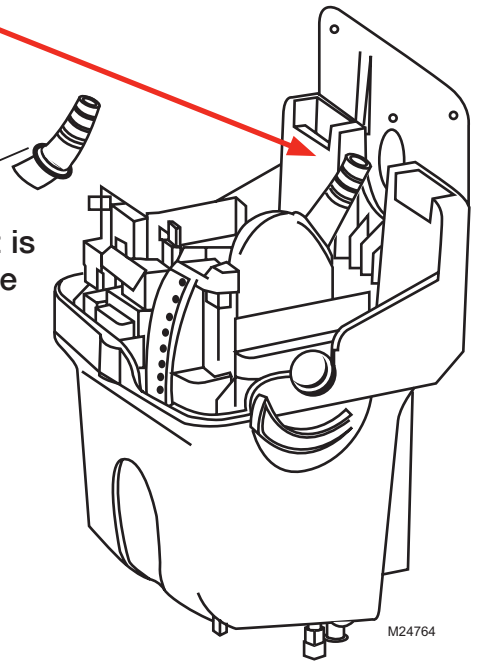
**2** Install hose adapter from Remote Mount Kit.

Draining water may be hot. Ensure drain outlet not exposed.



M24744

Ensure o-ring gasket is properly seated in the groove.



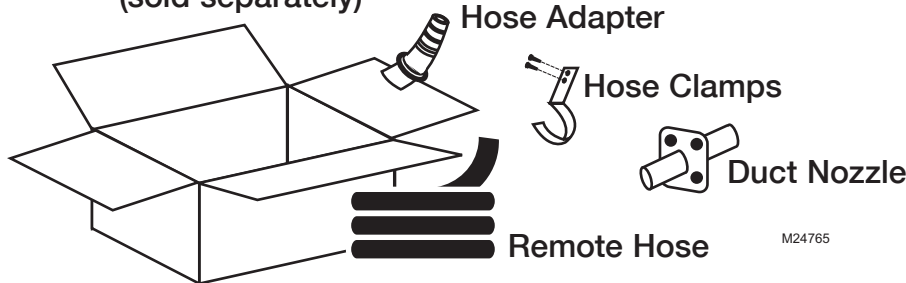
M24764



**CAUTION**

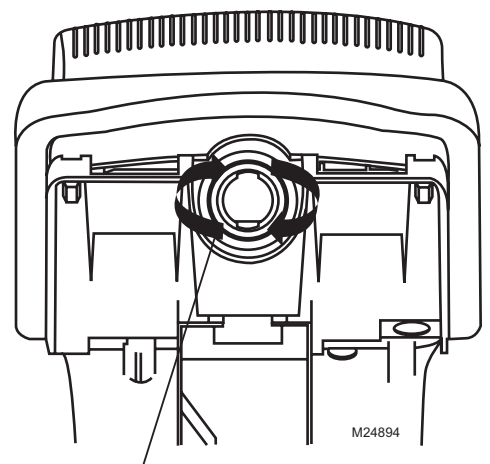
Hot water temperature above 120°F (49°C) can cause burns from scalding.

**Remote Mount Kit**  
(sold separately)



M24765

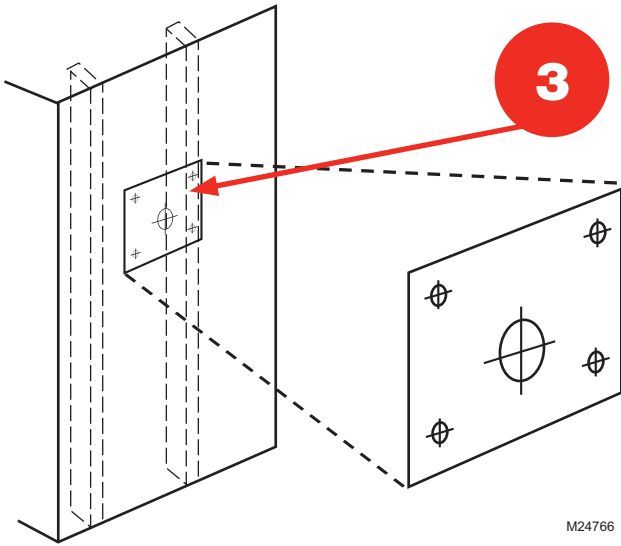
- 50024917-001 = Ten Foot Hose Kit
- 50024917-002 = Twenty Foot Hose Kit



M24894

Insert hose adapter and twist clockwise to ensure tight seal of nozzle to TrueSTEAM.

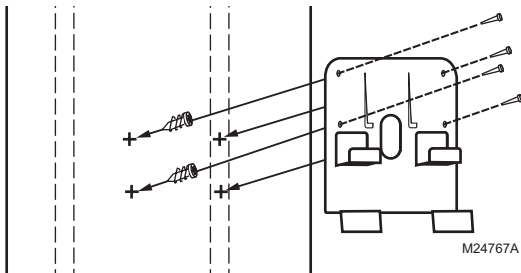
## REMOTE MOUNT INSTALLATION



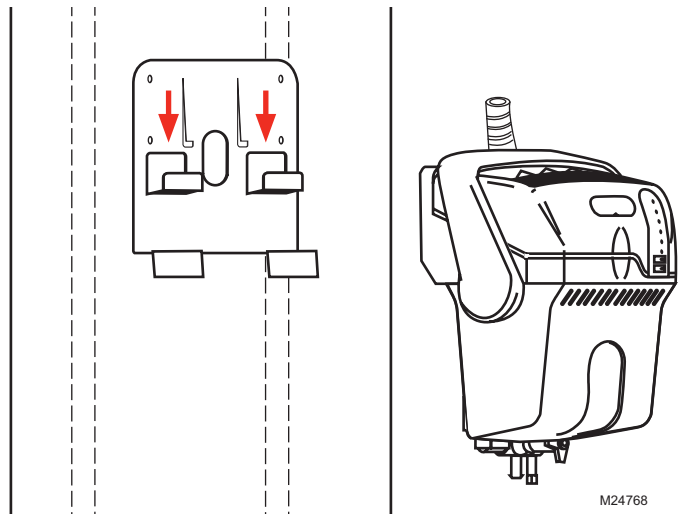
Position template sticker on remote location.

**Note:** TrueSTEAM will weigh 12–15 lbs. (+/- 2 lbs.) with water, so if mounting onto drywall or plaster, position one side over a wall stud.

**4** Insert wall anchors (4) into pilot holes and secure bracket to location.



**5** Push down to secure TrueSTEAM to bracket arms.

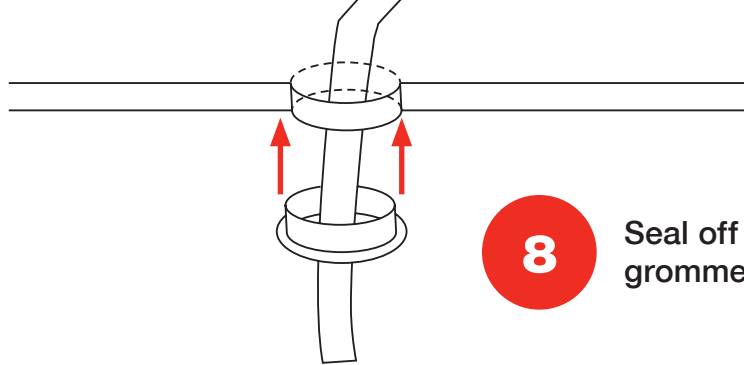
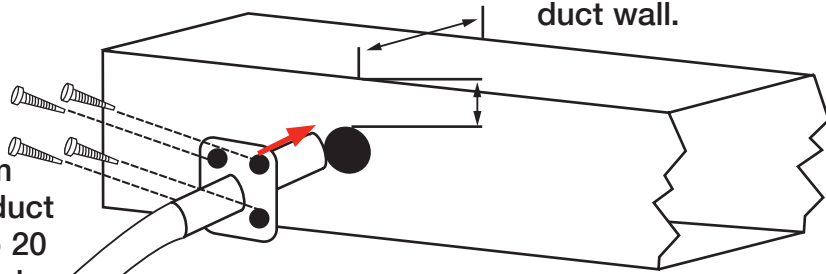


## REMOTE MOUNT INSTALLATION

- 6** Cut a 1-3/4 in. diameter duct hole, install the provided gasket, and slide the remote nozzle up into the duct. Secure remote nozzle to duct using #8 self-drilling sheet metal screws (4).

Minimum 3 in. clearance required from nozzle outlet to duct wall.

- 7** Run remote hose from the humidifier to the duct nozzle location. Up to 20 ft. of hose can be used.



If mounting remotely requires running hose through structural barriers (ie. wall or ceiling), cut at least a 1-3/4 in. hole and slide hose through.

- 8** Seal off unconditioned space with a grommet (not provided) or caulk.

- 9** Attach remote hose by sliding over the nozzle and adapter. Secure both hose ends with clamps (provided).



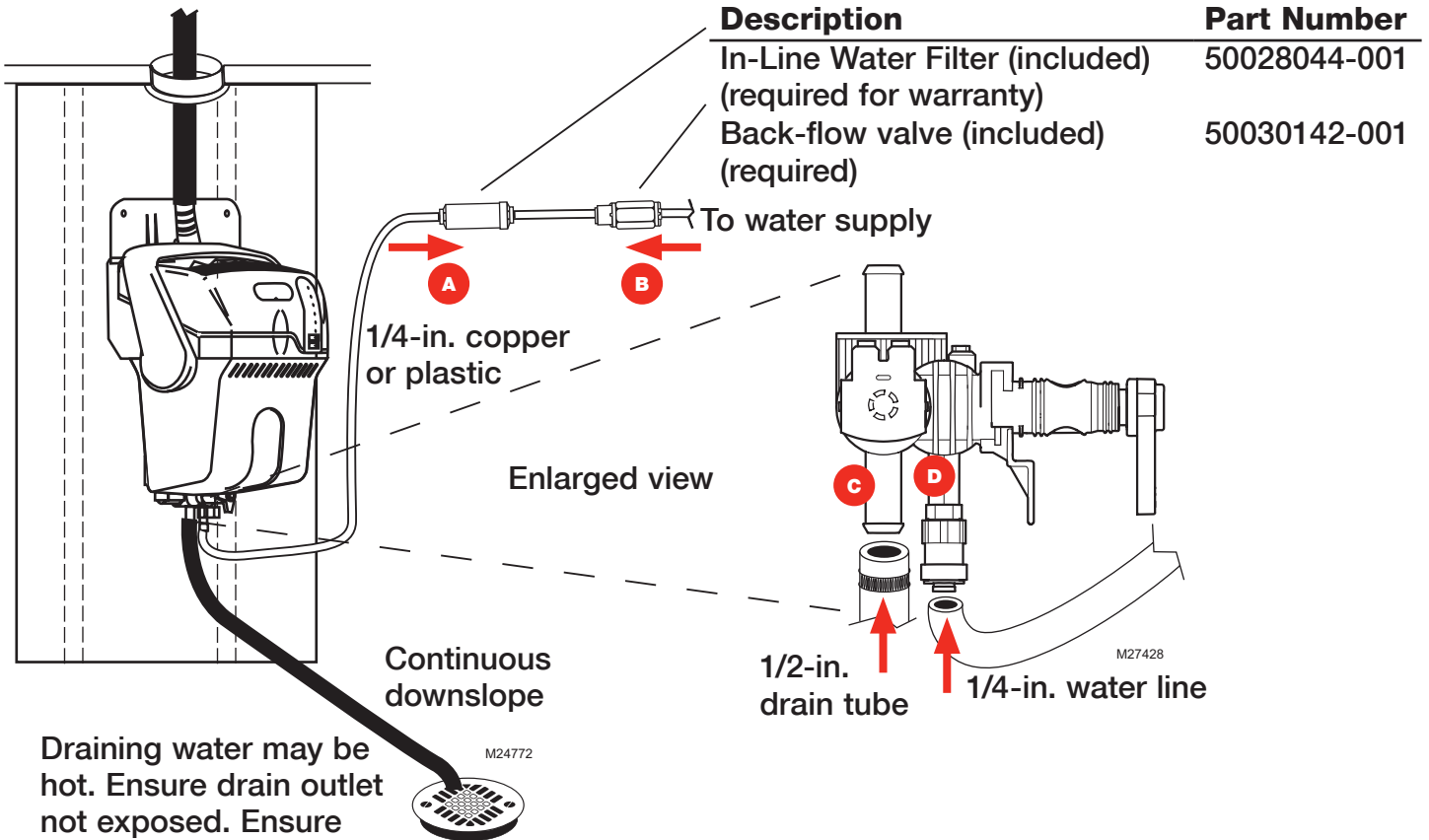
**IMPORTANT:**  
Run hose continuously uphill. For horizontal runs, ensure a slope of 2 in. uphill per foot. Secure hose every horizontal foot using clamps (provided). For long horizontal runs, support the hose by first securing a length of 2 x 4 lumber, U-channel, or angle iron with the appropriate slope. Then attach the hose to the top of this support. If remote hose requires downward pitch, refer to pages 5 and 7 for instruction.



**PLUMBING**

**10**

- A** Insert 1/4-in. water line into filter. Apply modest pressure to ensure a tight fit.
- B** Insert 1/4-in. water line into back-flow valve. Apply modest pressure for a tight fit.
- C** Connect 1/2-in. drain tube. Secure drain tube to barbed fitting with hose clamp.
- D** Shut off the water supply. Secure 1/4-in. copper or plastic water feed tube.

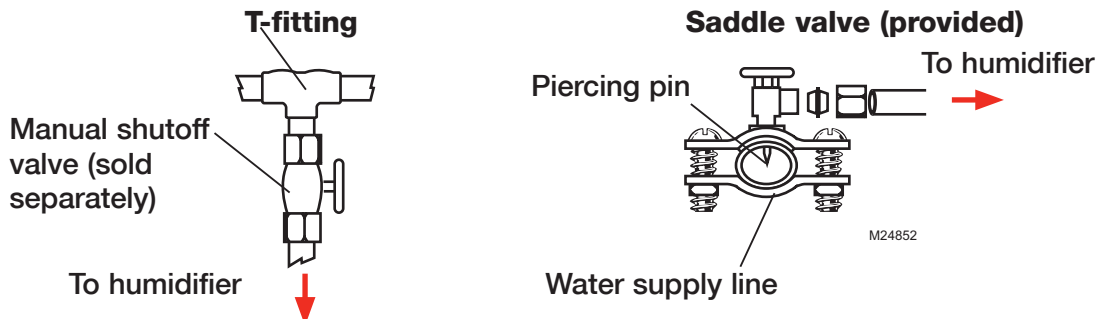


Draining water may be hot. Ensure drain outlet not exposed. Ensure drain or condensate pump is rated for at least 120°F water.



**CAUTION**  
Hot water temperature above 120°F (49°C) can cause burns from scalding.

Water line tapping options. See instructions provided with the option you choose.



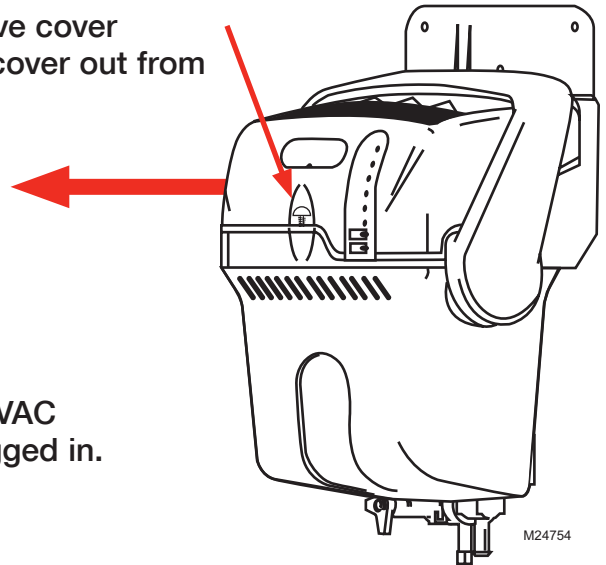
Check all water line connections to ensure no leaks once TrueSTEAM is operational.



## WIRING

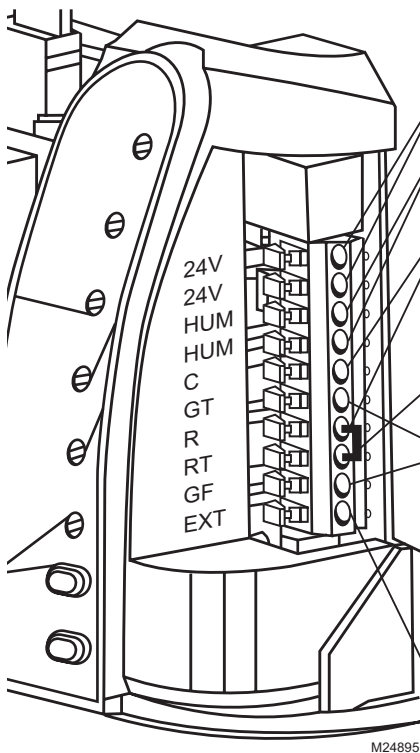
**11**

Loosen captive cover screw. Slide cover out from front.



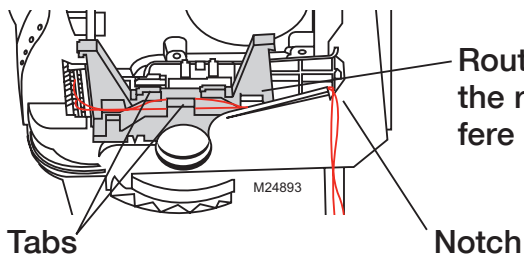
**CAUTION: Voltage Hazard.**

Before wiring to HVAC terminals, disconnect HVAC equipment power. Ensure humidifier is not plugged in.



**Low-Voltage Terminals**

- 24V** AC power for electronic humidistat.
- HUM** Low-voltage humidistat (or thermostat) terminals control humidifier operation.
- C, R** Connects to HVAC system transformer terminals (or relay transformer fan control R and C) to ensure HVAC power is present before humidifying. This can be disabled by changing DIP switch 4 (see page 16).
- RT** Connects to thermostat R terminal, which is normally switched to call for fan.
- GT, GF** GT connects to thermostat G terminal. GF connects to fan board G terminal. Thermostat G passes through the normally-closed (NC) relay contacts to GF, allowing fan activation. When TrueSTEAM is ready to provide humidity to the home, it will take control of the fan by forcing power from RT to GF (if not already activated).
- EXT** When a 24-vac fan board is not used to control blower (hydronic or cooling-only applications), this connection with GF provides dry-contact closure for fan calls. EXT/GF may be wired to a low-voltage relay control center to provide line-voltage fan control.



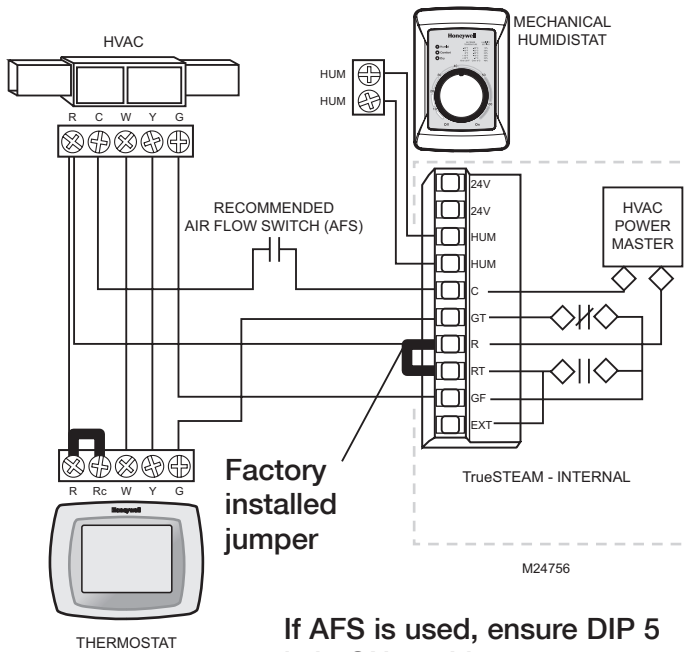
Route wires through the raised harness tabs and out the notch at the rear of the chassis. Ensure wires are secure and do not interfere with assembly of cover.

**WIRING**

**12**

**Wire the TrueSTEAM according to the diagram that applies to your humidity control.**

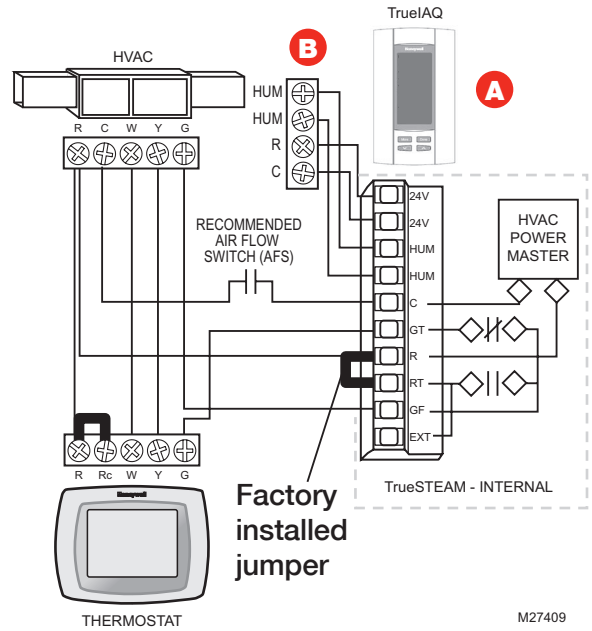
Follow this diagram if using a mechanical humidistat such as H8908ASPST or other.



If AFS is used, ensure DIP 5 is in ON position.

Follow this diagram to wire TrueIAQ for manual operation.

- A** Set TrueIAQ ISU parameter 10 to 1, and ISU 25 to 2.
- B** For auto-operation: also wire W and G to thermostat W and G.

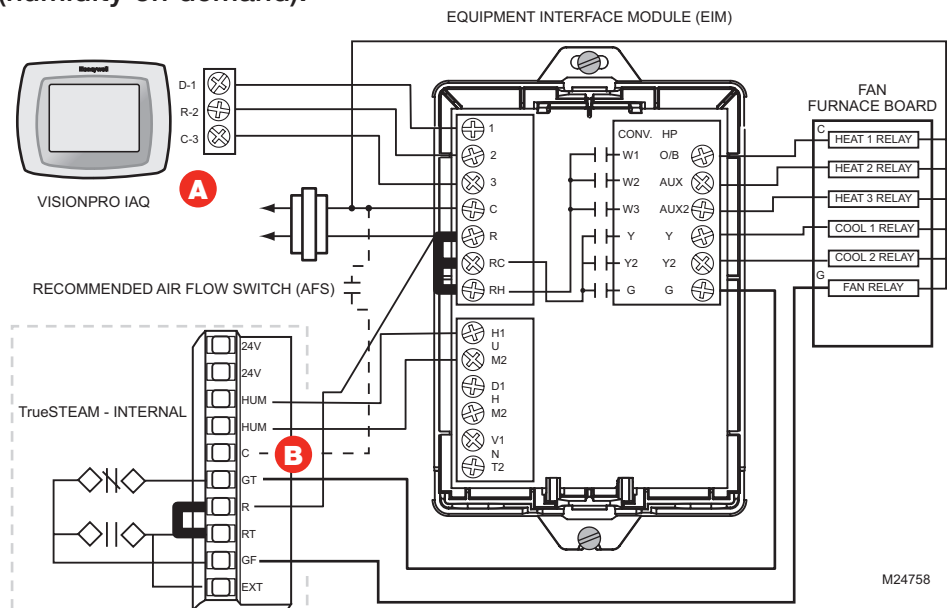


If AFS is used, ensure DIP 5 is in ON position.

Follow this diagram if using VisionPRO IAQ™ for independent fan control. TrueSTEAM will independently activate furnace fan (humidity on demand).

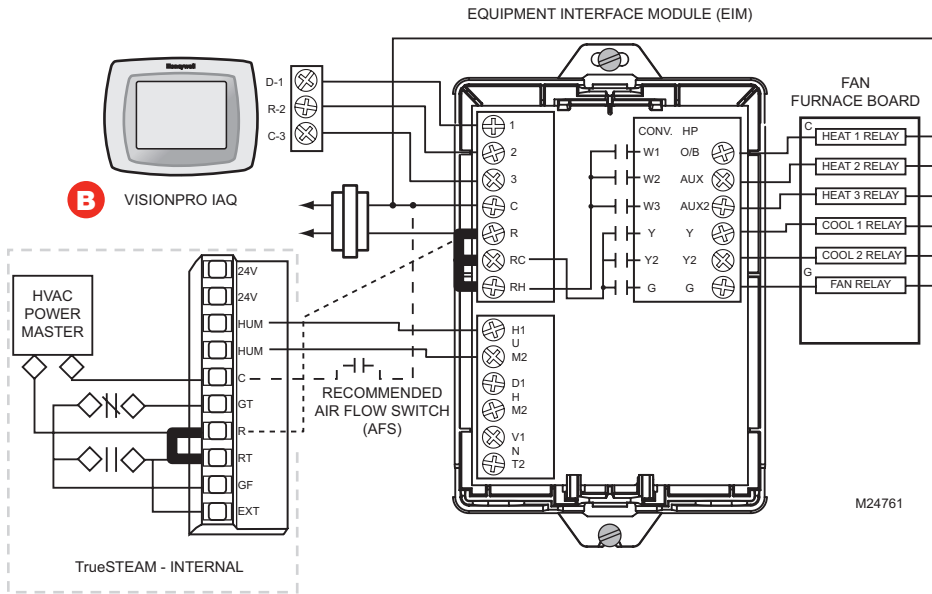
- A** Set VisionPRO IAQ™ ISU parameter 374 to 3.
- B** If operating TrueSTEAM without monitoring HVAC power or AFS, C wiring hookup is optional, but ensure DIP 4 is in ON position.

If AFS is used, ensure DIP 5 is in ON position.



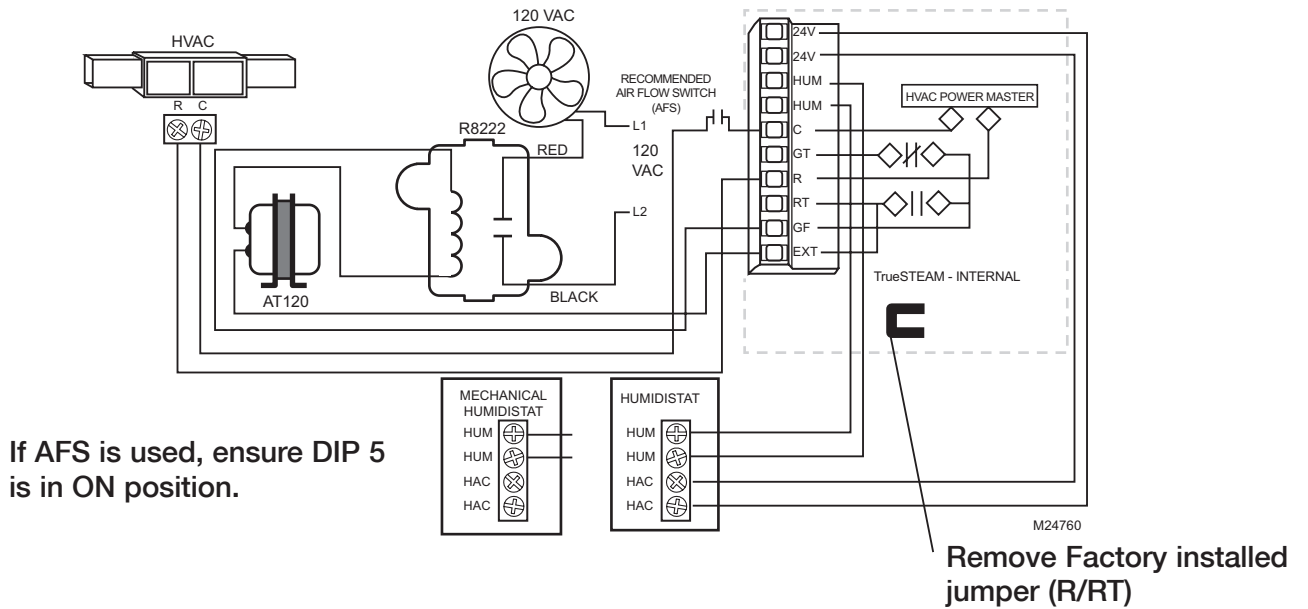
## WIRING

Follow this diagram for a system with the VisionPRO IAQ™ with operation dependent on HVAC power (humidification and fan call by thermostat).



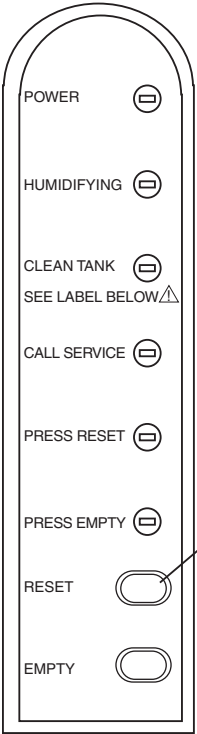
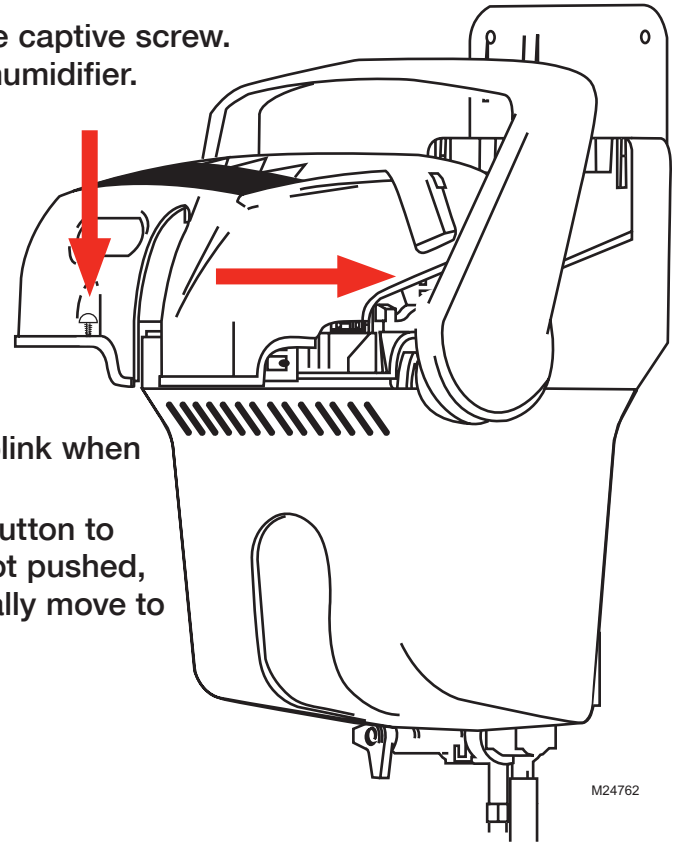
- B** Set VisionPRO IAQ™ ISU parameter 374 to 1. This allows the thermostat to call for fan at the same time as it calls for humidification.
- If AFS is not used, set DIP 4 ON and wire HUM terminals only.
- If AFS is used, set DIP 5 ON and DIP 4 OFF and wire R, C, and Hum terminals.

Follow this diagram if using a blower fan dedicated to the TrueSTEAM (a fan separate from the HVAC equipment, as in hydronic or cooling-only applications).



**WIRING**

- 13** Slide the cover back into place and secure captive screw. Turn on the water supply and plug in the humidifier.



- 14** The Press Reset light will blink when power is applied. Press/release the RESET button to ready the TrueSTEAM. If not pushed, TrueSTEAM will automatically move to ready after five minutes.

- 15** Turn the humidity control to the “Test” position. If the “Test” position is unavailable, turn the control to a high setpoint (60% +). Be sure to turn this back down (or off) when testing is complete. “Off” will turn TrueSTEAM off.



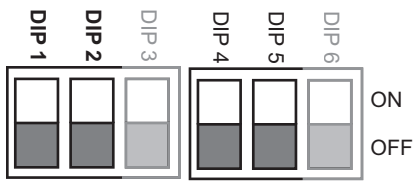
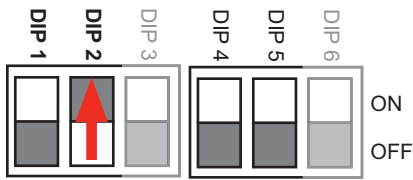
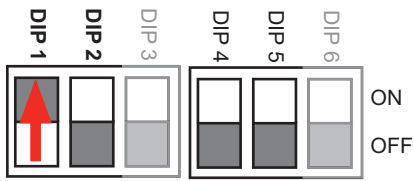
- 16** Confirm that the furnace blower turns on to circulate air. This will take about 10–15 minutes upon call for humidity.

**Important for Remote Installation:**

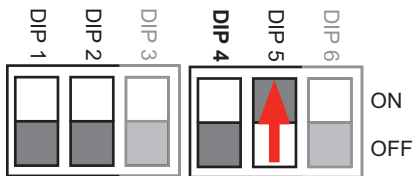
After TrueSTEAM has produced steam for 10–15 minutes, check the integrity of the remote hose to ensure no sags have occurred. Add or adjust clamps if necessary to ensure 2 in. per foot continuous slope.

## DIP SWITCH SELECTION

Between the transformer and LED display on the circuit board are two sets of DIP switches. DIP 1 and 2 can be configured to adjust cleaning cycles. DIP 4 and 5 can simplify wiring. DIP 3 and 6 are not used at this time. Details below.

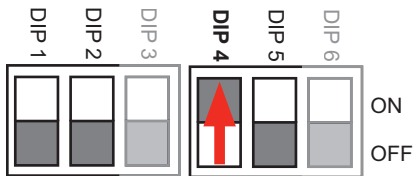
	Run time (hrs)	End-of-Season timer (hrs)	Clean tank indicator
	10 hrs of humidifying before system auto-flushes debris from tank.	48 hrs before system auto-drains and remains empty until next call for humidity.	1 year of total time (operational and inactive) before the Press Empty light will blink, indicating it is time to manually clean the water tank.
	20 hrs of humidifying before system auto-flushes debris from tank.	48 hrs before system auto-drains and remains empty until next call for humidity.	1 year of total time (operational and inactive) before the Press Empty light will blink, indicating it is time to manually clean the water tank.
	30 hrs of humidifying before system auto-flushes debris from tank.	48 hrs before system auto-drains and remains empty until next call for humidity.	1 year of total time (operational and inactive) before the Press Empty light will blink, indicating it is time to manually clean the water tank.

M24853

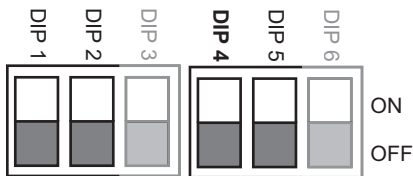


**DIP 4 OFF, DIP 5 ON:** If TrueSTEAM determines that no airflow\* is present two minutes after the blower fan call, it will shut down steam output and activate a service light.

\*Requires installation of air flow switch. See 'Wiring' section for details.



**DIP 4 ON, DIP 5 either setting:** TrueSTEAM will allow humidity without HVAC power present and without airflow.



**DIP 4 OFF, DIP 5 OFF:** TrueSTEAM will not be allowed to humidify without HVAC power being present.

M26181

## TROUBLESHOOTING

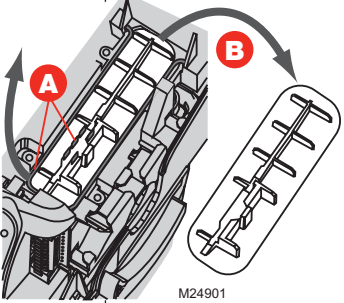
TrueSTEAM has internal system diagnostics that monitor system operation, maintenance schedules, and faults. If a system fault is detected, the system will attempt to recover itself up to five times in a 24 hour period. If unable to recover in that time, the red Call Service LED light will activate.

If the TrueSTEAM Call Service light is red, a system fault has occurred from which the humidifier can not recover by itself. The table below shows the possible faults, along with steps to fix TrueSTEAM.

If the red Call Service LED light is on, press/release the RESET button. The red Call Service LED light will begin blinking in a series that indicates what fault occurred. Refer to the table below for the fault signified by the number of blinks that occur. To clear the fault, press and hold the RESET button for 5 seconds.

Press/hold the EMPTY button to clear the Service Timer light (i.e. the Press Empty button).

Press/release the EMPTY button to drain the tank.

No. of Red Light Blinks	Fault Description	Auto-Recoverable?	Steps to Fix To be Performed by Professional HVAC Technician Only
1	Water/Heater temperature sensor failed.	Yes, system will return to "Ready" if fault no longer exists in 1 hour.	<ul style="list-style-type: none"> <li>• Unplug TrueSTEAM and remove cover.</li> <li>• Check water sensor connection to electronic board.</li> <li>• Reattach cover and plug TrueSTEAM in.</li> <li>• If fault reappears, follow the cleaning steps on pages 23–24.</li> <li>• Reassemble tank and press the RESET button.</li> <li>• If fault returns, replace with applicable wattage heating element.</li> </ul>
2	Water sensors failed. 	Yes, system will return to "Ready" if fault no longer exists in 1 hour. Will attempt to reset itself 5 times in 24 hours.	<ul style="list-style-type: none"> <li>• Unplug TrueSTEAM and remove cover.</li> <li>• <b>A</b> Disconnect water level sensor wiring, remove screen and lift snap-hinge clamp.</li> <li>• <b>B</b> Remove water sensor assembly.</li> <li>• Clean water sensor probes using warm soapy water so that the metal is exposed.</li> <li>• Reassemble the sensor assembly in the unit, reattach and secure cover.</li> <li>• Plug unit back in and press the RESET button.</li> <li>• If fault reappears, replace sensor assembly.</li> </ul>
3	Failure to fill tank with water.	Yes, system will return to "Ready" if fault no longer exists in 1 hour.	<ul style="list-style-type: none"> <li>• Ensure inlet water is on.</li> <li>• Check for leaks around the tank seal and solenoid.</li> <li>• Turn off water supply and replace in-line water filter.</li> <li>• Press/hold RESET button until the red Call Service light turns off.</li> <li>• If tank still fails to fill, press the EMPTY button (if unit fails to drain, unplug unit and make sure water in tank is cool).</li> <li>• Follow tank cleaning instructions on page 21. Ensure you have a firm grip of the tank prior to releasing the tank, especially if water is present.</li> <li>• Clear any excess debris from the tank's bottom orifice to the solenoid.</li> <li>• Reassemble tank and plug unit back in. Press the RESET button.</li> <li>• If water still fails to flush into the tank, replace the solenoid valve.</li> </ul>

## TROUBLESHOOTING

No. of Red Light Blinks	Fault Description	Auto-Recoverable?	Steps to Fix To be Performed by Professional HVAC Technician Only
4	Heating element overheated.	No	<ul style="list-style-type: none"> <li>• Follow tank cleaning steps (pages 23–26).</li> <li>• Reassemble tank and press the RESET button.</li> <li>• If fault returns, replace with applicable TrueSTEAM.</li> </ul>
5	Input voltage insufficient.	Yes, system will return to “Ready” if fault no longer exists in 1 hour.	<ul style="list-style-type: none"> <li>• Unplug and replug the unit in to see if the fault returns.</li> <li>• If fault returns, unplug unit and remove cover.</li> <li>• Ensure wiring connections are secure and attached.</li> <li>• If fault returns, replace the TrueSTEAM with a new one (field service is not recommended in the event line voltage is lost).</li> </ul>
6	Water overflow sensed.	Yes, system will return to “Ready” if fault no longer exists in 1 hour.	<ul style="list-style-type: none"> <li>• Ensure drain hose is not kinked or submerged in water at the drain. Check functionality of condensate pump if used.</li> <li>• Check for water coming out of drain/overflow line. If continuous water flow is present, follow the cleaning steps on pages 23–26.</li> <li>• Press EMPTY button to drain tank.</li> <li>• Set humidistat RH setpoint to Test mode.</li> <li>• If fault returns, unplug TrueSTEAM.</li> <li>• Loosen cover screw and remove cover.</li> <li>• Disconnect water level sensor wiring and lift snap-hinge clamp to remove water sensor assembly. See image on page 17.</li> <li>• Clean probes using warm soapy water so that the metal is exposed.</li> <li>• Reassemble the sensor assembly in the unit, reattach and secure cover.</li> <li>• Plug unit in, and press RESET button.</li> <li>• If fault reappears, replace water sensor assembly and/or solenoid valve.</li> </ul>
7	HVAC power not present (monitor this fault only when DIP 4 and 5 are OFF).	Yes, system will return to “Ready” if fault no longer exists in 1 hour.	<ul style="list-style-type: none"> <li>• Unplug and replug the unit in to see if power returns.</li> <li>• If not, ensure HVAC equipment has power. Check circuit breaker and replace fuse if circuit is tripped.</li> <li>• Unplug TrueSTEAM and remove cover.</li> <li>• Ensure DIP 4 is ON and reattach cover.</li> <li>• Plug unit in.</li> <li>• If fault reappears, ensure the circuit being used has the rating to support the unit. Unplug any additional equipment plugged into this circuit. If fault disappears, the circuit capacity is not properly sized to your unit.</li> <li>• If fault returns, replace unit.</li> </ul>



**TROUBLESHOOTING**

<b>No. of Red Light Blinks</b>	<b>Fault Description</b>	<b>Auto-Recoverable?</b>	<b>Steps to Fix To be Performed by Professional HVAC Technician Only</b>
8-11	The backup weld monitor input is active when the backup heater relay is off.	No	<ul style="list-style-type: none"> <li>• Replace the unit.</li> </ul>
12	Temperature of the electronic circuit board is too high.	Yes, system will return to “Ready” if fault no longer exists in 1 hour.	<ul style="list-style-type: none"> <li>• Ensure ventilation holes in the cover are clear of obstruction, and that 1 foot of clearance is maintained around the cover’s vent holes.</li> <li>• Ensure the TrueSTEAM is installed in a location with conditioned air 32°F (0°C) to 104°F (40°C).</li> <li>• Turn humidistat off and allow time for electronic board to cool.</li> <li>• Turn humidistat on and press RESET button.</li> <li>• Confirm humidity call starts by HUMIDIFYING light turning on.</li> <li>• Allow unit to run and check for steam leaks around tank and ventilation holes.</li> <li>• If steam is present, replace TrueSTEAM.</li> </ul>
13	Tank failed to drain.	No	<ul style="list-style-type: none"> <li>• Water in tank may be hot (&gt;140°F [60°C]).</li> <li>• Press the EMPTY button.</li> <li>• If unit fails to drain, wait for water in tank to cool. Ensure tank water is cool before proceeding.</li> <li>• Once cool, follow tank cleaning steps (pages 23–24).</li> <li>• Reassemble tank and press the RESET button.</li> <li>• If fault persists, replace the solenoid valve.</li> </ul>
14	Heater failed to boil water.	Yes, system will return to “Ready” if fault no longer exists in 1 hour.	<ul style="list-style-type: none"> <li>• Follow tank cleaning steps (pages 23–24).</li> <li>• Reassemble tank and press the RESET button.</li> <li>• If fault returns, replace the heating element with the applicable wattage replacement part.</li> </ul>
15	No Airflow.	Yes	<ul style="list-style-type: none"> <li>• Ensure Differential Pressure Switch is installed and wired correctly. See the Wiring section for proper wiring.</li> <li>• Ensure DIP switches are set correctly.</li> <li>• If fault persists, replace AFS and/or unit.</li> </ul>

## SPECIFICATIONS

### Capacity:

**HM512:** 12 gallons per day (gpd) (45 liters per day [lpd])

**HM509:** 9 gpd (34 lpd)

**HM506:** 6 gpd (23 lpd)

### Humidified Area:

House Description	Air Changes Per Hour	HM512	HM509	HM506
Loose	Two	2000 ft <sup>2</sup>	1300 ft <sup>2</sup>	1000 ft <sup>2</sup>
Average	One	2500 ft <sup>2</sup>	1800 ft <sup>2</sup>	1500 ft <sup>2</sup>
Tight	One-half	3000+ ft <sup>2</sup>	2500 ft <sup>2</sup>	2000 ft <sup>2</sup>

### Weight:

Model	Empty	Filled with Water
HM512	9 lbs.	15 lbs.
HM509	9 lbs.	14.5 lbs.
HM506	8 lbs.	12 lbs.

- Dimensions: 11-1/4 in. W x 19 in. H x 9 in. D
- Humidifier Operating Temperature Range: 34°F–120°F (1.1°C–49°C)
- Remote Hose/Nozzle Operating Temperature Range: -50°F–250°F (-46°C–121°C)
- Operating Humidity Range: 0–95% RH, non-condensing

### Drain Operation

- Auto flushing is configurable to 10, 20 or 30 hours of operational time (heating element active).
- During auto flushing, cold water will enter the tank to lower water temperature below 140°F (60°C) before draining.
- During manual flush (performed by pressing the EMPTY button) initial water temperature may be above 140°F (60°C). Ensure drain outlet is not exposed and use caution when pressing the EMPTY button, and do NOT attempt to remove the tank with water in it.
- Flush cycle takes approximately 15 minutes to empty the tank completely. To override, press/hold the EMPTY button while the “Clean Tank” light is blinking.
- Drain Hose Operating Temperature Range: 34°F–212°F (1.1°C–100°C)



### CAUTION

Hot water temperature above 140°F (60°C) can cause burns from scalding.

### Standards & Approval Body Requirements

Underwriters Laboratories: UL998, File no. E185662.

Federal Communications Commission: Class B compliance, File no. YU555.

Intended to be used in accordance with the National Electrical Code (NEC), ANSI/NFPA 70, and the rules of the Canadian Electrical Code (CEC), Part 1, C22.1.

### Electrical Ratings and Tolerances

#### Input Ratings

- Power Supply: 120VAC +10/ -15%, 60Hz
  - HM512: 1440W at 120VAC at full load
  - HM509: 1200W at 120VAC at full load
  - HM506: 840W at 120VAC at full load
- HM512: 12A, 120VAC
- HM509: 10A, 120VAC
- HM506: 7A, 120VAC
- 15A, 120VAC interlock switch
- Thermostat/HVAC power monitor (R to C): 10mA resistive at 24VAC
- Field wiring terminals: 18–22 ga. solid
- HVAC power/airflow monitor: 10 mA resistive at 24 VAC

#### Output Ratings

- Relay output contacts:
  - Fan: 1.5A full load, 7.5A locked rotor at 24VAC
  - Heat and Backup: 15A resistive at 120VAC
- Fill Solenoid: 0.1A at 120VAC, 0.5 PF
- Drain Solenoid: 0.1A at 120VAC, 0.5PF
- Humidistat output contacts: 10mA resistive at 24VAC
- Humidistat power supply: 100mA at 24VAC

## CLEANING AND SEASONAL OR VACATION MAINTENANCE

Maintenance is simple with TrueSTEAM—just remove the water tank for cleaning.



**Warning: Scalding hazard.**

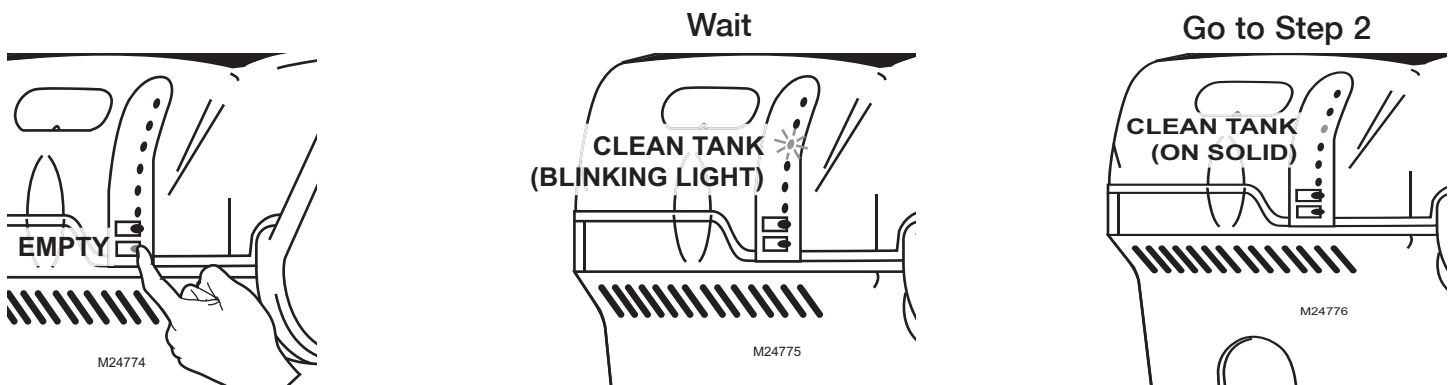
Do not attempt to remove the humidifier from the mounting bracket during operation, or when the humidifier's water tank when full of water. Water heater could be hot when tank is removed. Failure to comply could result in severe scalding or death.

### Drain Operation

- Auto flushing is configurable to 10, 20 or 30 hours of operational time (heating element active).
- During auto flushing, cold water will enter the tank to lower water temperature below 140°F (60°C) before draining.
- During manual flush (performed by pressing the EMPTY button) initial water temperature may be above 140°F (60°C). Ensure drain outlet is not exposed and use caution when pressing the EMPTY button, and do NOT attempt to remove the tank with water in it.

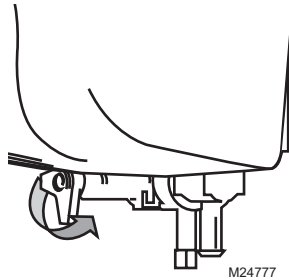
To clean the TrueSTEAM:

1. Press and hold the EMPTY button for 3 seconds. Wait for the CLEAN TANK light to be on solid (not blinking). The flush cycle takes approximately 15 minutes to empty the tank completely. To override the flush cycle press/hold the EMPTY button a second time for 3 seconds. The tank will drain immediately.

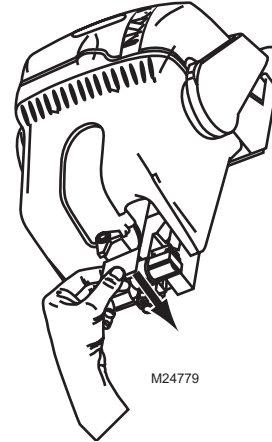


## CLEANING AND SEASONAL OR VACATION MAINTENANCE

2. Turn the manual shut-off valve at the bottom of the tank to the “Unlock” position.



3. Grip the white water valve arm and slide it back within the bracket to disengage from the tank.

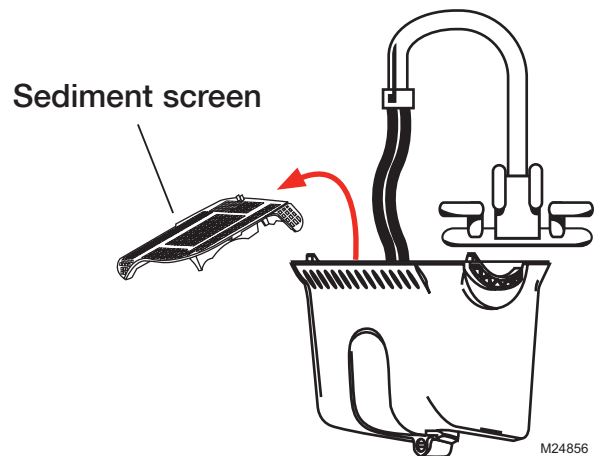


4. Firmly grip the tank bottom. Push down the cover's safety button and pull the latch forward to release the tank.

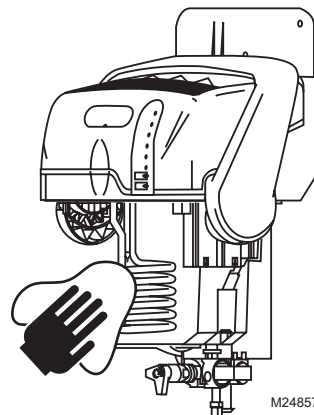
**Note:** Latch does not come off humidifier with tank.



5. Use tap water to flush loose minerals from the tank. Sediment screen at tank's bottom is removable. For a more thorough cleaning, soak tank in warm, soapy water, then rinse clean. Tank is also dishwasher-safe.



6. Carefully rub minerals off of the heating element, reservoir walls, and sensors. Scouring pads suitable for non-stick pots or pans are suitable for cleaning the TrueSTEAM reservoir walls and components within the tank.



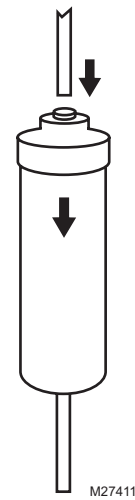
## CLEANING AND SEASONAL OR VACATION MAINTENANCE

7. Replace inline filter once per year. Turn water supply off before replacing.

Press down filter collar ring and pull out 1/4 in. water line from each side.



Insert 1/4 in. lines into new filter. Apply modest pressure to ensure a tight fit.



Once clean, reattach tank by securing the latch. Engage the water valve to the cam shaft, and “Lock” the shut-off valve. The “Press Reset” light will blink at start-up. Push the RESET button to ready the humidifier.

---

## CLEANING AND SEASONAL OR VACATION MAINTENANCE

### Automatic End of Season Shutdown

Your TrueSTEAM humidifier has the built-in intelligence to shut down when humidity is not needed for an extended period. After 48 hours of inactivity, TrueSTEAM will drain and remain empty until humidity is needed again. This prevents water from stagnating within the tank. The tank will refill with water upon next humidity call.

There are a few house-cleaning steps to follow to keep your TrueSTEAM operating at peak efficiency:

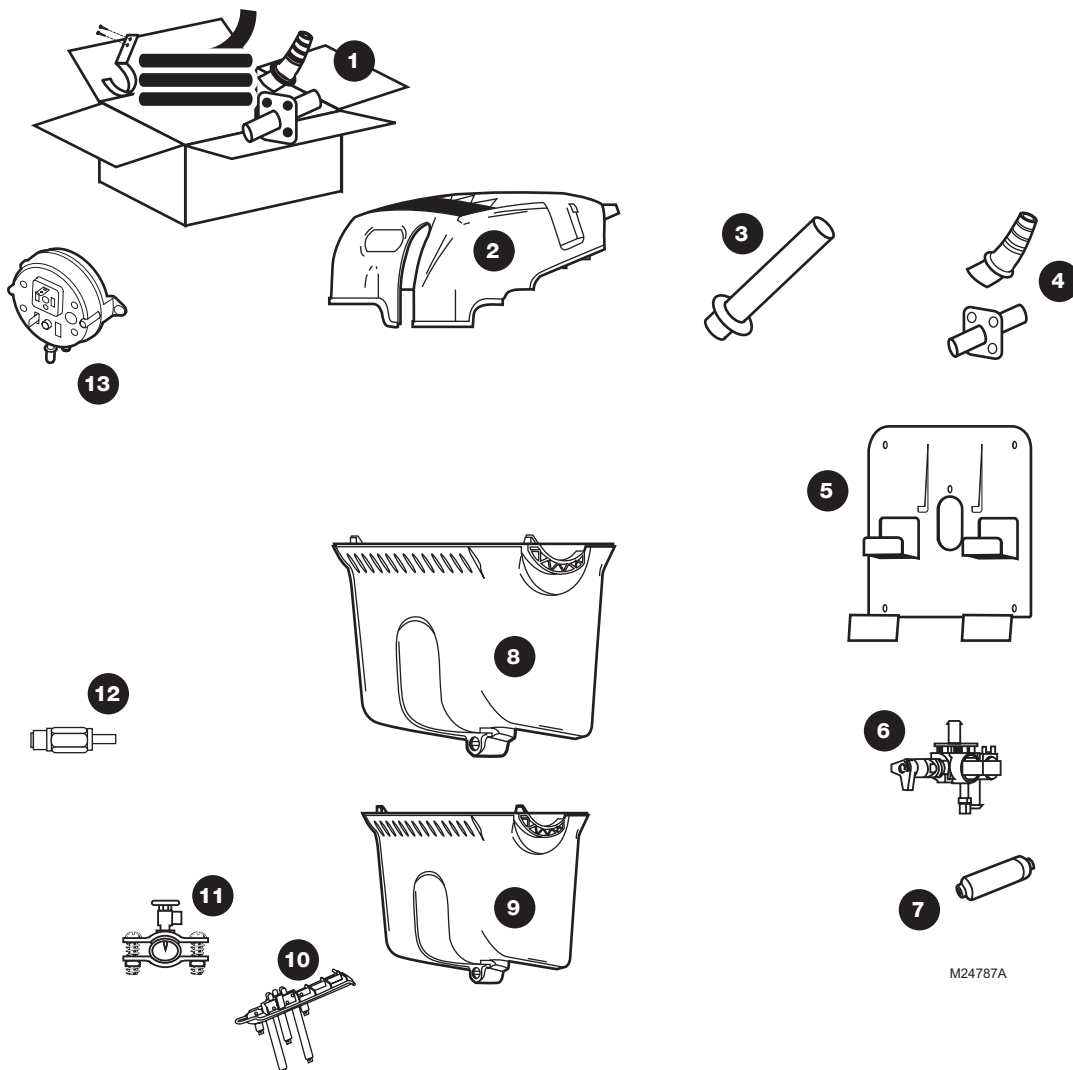
1. Follow steps 1–6 in the Cleaning section on page 23 at least once per year, or when the “Press Empty” light is blinking.
2. Clear ventilation holes in the humidifier’s cover.
3. Clear the water drain tube.
4. Make sure the water tank gasket seal is not cracked or split before reattaching the humidifier water tank.
5. Check that the humidifier is still mounted level.

### Extended Vacation

When you leave on extended vacations, it is recommended you turn off the humidifier’s water supply and turn off the humidity control. When you return, turn on the humidifier water supply and reset your humidity control to a comfortable position.

## PARTS LIST

Part	Part Number	Fig. Reference
10-foot Remote Hose and Nozzle Kit	50024917-001	1
20-foot Remote Hose and Nozzle Kit	50024917-002	1
Cover	50028004-001	2
Duct Nozzle	50028003-001	3
Remote Nozzles	50028001-001	4
Mounting Bracket	50020012-001	5
Solenoid Valve	50027997-001	6
In-Line Water Filter	50028044-001	7
HM512/HM509 Water Tank	50033181-001	8
HM506 Water Tank	50033182-001	9
Water Level Sensor Assembly	50027998-001	10
Saddle Valve	32001616-001	11
Back-flow Water Valve	50030142-001	12
Differential Pressure Switch	50027910-001	13





**Automation and Control Solutions**

Honeywell International Inc.	Honeywell Limited-Honeywell Limitée
1985 Douglas Drive North	35 Dynamic Drive
Golden Valley, MN 55422	Toronto, Ontario M1V 4Z9
<a href="http://yourhome.honeywell.com">http://yourhome.honeywell.com</a>	



**Honeywell**

## Humidificateur TrueSTEAM

Simple comme 1, 2, 3, 4

GUIDE D'INSTALLATION PROFESSIONNELLE

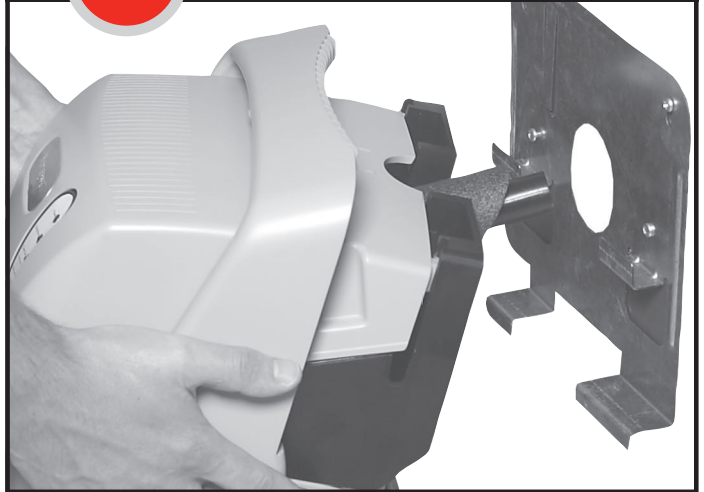
**1**

Monter



**2**

Suspendre



**3**

Mettre de niveau



**4**

Raccorder



Consulter les pages suivantes pour des instructions détaillées et des options de montage à distance.

## TABLE DES MATIÈRES

Recommandations d'installation .....	31
Outils et matériel nécessaires .....	33
Consignes de sécurité .....	34
<b>Instructions de montage sur gaine</b>	
Installation.....	35
<b>Instructions de montage à distance</b>	
Installation.....	37
<b>Plomberie et câblage</b>	
Plomberie.....	43
Câblage.....	44
Réglage des commutateurs DIP.....	48
Dépannage.....	49
Nettoyage, entretien saisonnier et avant les absences prolongées .....	53
<b>Renseignements supplémentaires</b>	
Nomenclature des pièces .....	57

### Besoin d'aide?

Pour toute assistance concernant ce produit, visitez le site <http://yourhome.honeywell.com> ou communiquez avec les Services à la clientèle au numéro sans frais **1-800-468-1502**

**Veillez lire les présentes instructions et les garder à portée de main.**

® Marque de commerce enregistrée aux États-Unis.  
Brevets en instance.

Copyright © 2007 Honeywell International Inc. Tous droits réservés.

## RECOMMANDATIONS D'INSTALLATION

Pour effectuer correctement l'installation du TrueSTEAM et assurer son bon fonctionnement, il est important de tenir compte des points suivants :

### Capacité de l'appareil

1. Choisir l'humidificateur qui convient à l'application est crucial :

Le tableau ci-dessous indique la superficie en mètres carrés (pieds carrés) qu'un appareil TrueSTEAM peut humidifier.

Un appareil de 23L (6 gall.) n'est pas recommandé pour les maisons d'une superficie supérieure à 185 mètres carrés (2000 pieds carrés).

Aire en mètres carrés (pieds carrés)	45 (500)	90 (1000)	140 (1500)	185 (2000)	230 (2500)	280 (3000)
LPJ (GPJ) recommandés par l'ARI*	0,4 (0,1)	8,3 (2,2)	16,6 (4,4)	24,6 (6,5)	32,6 (8,6)	44,3 (11,7)
TrueSTEAM HM512 - 45 L (12 gall.) réels						
TrueSTEAM HM509 - 34 L (9 gall.) réels						
TrueSTEAM HM506 - 23 L (6 gall.) réels						

\* Recommandation F-2007 de l'ARI pour le maintien d'un taux d'humidité relative de 35 % dans une maison étanche avec plafonds de 2,4 m (8 pi), habitée par quatre personnes. Température de -6 °C (20 °F) et taux d'humidité relative de 70 % à l'extérieur.

### Liste des vérifications au moment de l'installation

- Installer le filtre de tuyau à eau et la vanne anti-refoulement.
- Vérifier si le tuyau d'alimentation principale en eau est ouvert.
- S'assurer qu'il n'y a aucune fuite ni gouttes d'eau à l'un ou l'autre des raccords d'eau.
- Vérifier si le circuit est suffisant pour alimenter l'appareil.
- Provoquer une demande d'humidification à l'aide du régulateur et vérifier si le TrueSTEAM se remplit et si le voyant d'humidification s'allume, ce qui indique la production de vapeur.
- Vérifier le fonctionnement du drain en appuyant sur le bouton EMPTY (VIDANGE) jusqu'à ce que le voyant Clean Tank (Nettoyage du réservoir) commence à clignoter pour indiquer la mise en marche du cycle de vidange.

**REMARQUE :** Le nettoyage et la vidange du réservoir peuvent prendre une dizaine de minutes. Pour sauter l'étape du nettoyage et effectuer la vidange immédiatement, maintenir enfoncé le bouton EMPTY (VIDANGE) lorsque le voyant Clean Tank (Nettoyage du réservoir) clignote. Le cycle de nettoyage est annulé et la vidange du réservoir commence immédiatement. Pour arrêter la vidange, appuyer sur le bouton Reset (Réarmement).

- Apposer l'étiquette d'entretien du réservoir fournie sur la gaine ou le mur près de l'appareil. Cette étiquette autocollante est jaune. Vérifier si le tuyau de drain est fixé de manière qu'il ne peut se séparer accidentellement. Vérifier si le tuyau est bien inséré dans le drain ou la pompe à condensats; autrement l'eau pourrait gicler.

## RECOMMANDATIONS D'INSTALLATION

### **Réglage de l'appareil TrueSTEAM pour un fonctionnement efficace et pour répondre aux besoins des utilisateurs :**

Le point de consigne de l'humidification n'est parfois atteint qu'au bout d'une semaine de fonctionnement continu de l'appareil, compte tenu de facteurs comme l'aire de la maison, son contenu et son isolation.

Avec un appareil de 23 L (6 gall.), le meilleur réglage est entre 30 et 35 % ou jusqu'à ce qu'il y ait de la condensation dans les fenêtres. Il faut alors abaisser le point de consigne (à condition que l'appareil ne soit pas réglé au mode protection contre le givre). Si le point de consigne n'est pas atteint, l'appareil n'est peut-être pas assez puissant (si la superficie de la maison est inférieure à 185 mètres carrés ou 2000 pieds carrés, l'isolation, les fenêtres ou le climat aride peuvent en être la cause); il est aussi possible que la température extérieure soit trop basse et qu'elle ne permette pas d'assurer le maintien de niveaux d'humidité adéquats. Il est préférable d'attendre que la température soit près de -6 °C (20 °F).

Si la température est de cet ordre mais que les niveaux d'humidification sélectionnés ne sont pas atteints, il faut utiliser un appareil d'une plus grande capacité.

Pendant la première semaine de fonctionnement de l'appareil, il est normal de sentir une légère odeur de plastique, selon le degré de ventilation dans la maison. Si un tuyau à distance est utilisé, il peut y avoir une légère odeur de caoutchouc. Ces odeurs disparaîtront dans les jours suivant l'installation.

Si le TrueSTEAM ne se met pas en marche malgré une demande d'humidification, c'est probablement parce qu'il est en mode vidange. Demander au propriétaire de vérifier le fonctionnement de l'appareil au bout d'une heure.

Si le voyant Call Service (Appel de service) clignote, demander au propriétaire de maintenir enfoncé le bouton de réarmement pour corriger le problème. Si le problème dure, débrancher l'appareil, puis le rebrancher dans la prise de courant. Attendre 24 heures avant d'appeler un entrepreneur. Le voyant d'appel de service clignote peut-être parce que la tension est basse dans les environs; l'appareil devrait recommencer à fonctionner correctement une fois le courant revenu à la normale.

La consommation d'énergie peut augmenter légèrement. Par contre, comme la maison semble plus chaude lorsque le TrueSTEAM fonctionne efficacement, il est possible d'abaisser le point de consigne du thermostat. Une diminution du point de consigne d'un degré permet de réaliser des économies de coûts de chauffage pouvant atteindre 3 %.

## OUTIL ET MATÉRIEL NÉCESSAIRES POUR L'INSTALLATION DE L'HUMIDIFICATEUR TRUESTEAM

### Outils et quincaillerie nécessaires :

- Pince à dénuder et à couper les fils
- Perceuse ou outil pour découper la gaine
- Scie-cloche de 44 mm (1 3/4 po)
- Foret de 3 mm (1/8 po)
- Tournevis à point cruciforme et tournevis droit (ou Torx)
- Fil de thermostat de calibre 18 (à 5 ou à 2 conducteurs)



### Matériel fourni :

- Tuyau de 64 mm (1/4 po), en cuivre ou en plastique
- Tuyau d'évacuation de 127 mm (1/2 po) et colliers
- Support de montage et quincaillerie
- Filtre de tuyau à eau\* (50028044-001)
- Robinet-vanne à étrier
- Vanne anti-refoulement (50030142-001)

### Matériel facultatif :

- Ensemble d'installation à distance
  - Ensemble tuyau de raccordement de 3 m (10 pi) et buse (50024917-001)
  - Ensemble tuyau de raccordement de 6 m (20 pi) et buse (50024917-002)
- Régulateur d'humidité
  - Humidistat manuel (H8908ASPST)
  - TrueIAQ (DG115EZIAQ)
  - VisionPRO IAQ (YTH9421C1010)
- Raccord de tuyau en T
- Robinet de sectionnement
- Siphon de tuyau à distance
- Interrupteur à pression différentielle (50027910-001)
- Nécessaire de montage à distance pour une gaine à panneaux (32005530-001)

\* La garantie stipule que l'installation d'un filtre à eau en ligne et son entretien à intervalles réguliers sont obligatoires.

## CONSIGNES DE SÉCURITÉ



### **MISE EN GARDE : Risques liés au courant électrique.**

Peut causer des chocs électriques ou endommager l'équipement. Couper l'alimentation du système CVCA avant de commencer l'installation de l'appareil.

### **Consignes de sécurité**

- Ne pas diriger la buse de vapeur vers des personnes.
- Si l'humidificateur TrueSTEAM est installé près d'une piscine ou d'un spa, s'assurer qu'il ne peut tomber dans l'eau, ni être éclaboussé. S'assurer également qu'il est branché dans une prise de courant à disjoncteur de fuite à la terre (DFT).
- L'eau contenue dans le réservoir peut être très chaude. Suivre à la lettre les directives d'installation et les étapes d'entretien telles qu'elles figurent dans la documentation technique.



### **Avertissement : Dangers liés à l'électricité, à l'équipement lourd et aux produits chimiques**

Peut causer la mort, la cécité, des dégâts d'eau et provoquer la panne de élément chauffant.

- Ne couper aucun tuyau de climatiseur, ni aucun fil électrique.
- Porter des lunettes de sécurité pour couper ou percer.
- Installer l'humidificateur de niveau pour éviter les dégâts d'eau ou la panne de l'élément chauffant.
- Si nécessaire, renforcer la gaine pour assurer la stabilité de l'installation.

De préférence, installer l'appareil sur le côté air chaud ou approvisionnement en air de l'appareil de chauffage. S'il n'est pas possible de l'installer à cet endroit, la buse de vapeur doit être installée à au moins 30 cm (12 po) en amont du filtre de l'appareil de chauffage. Si nécessaire, selon l'emplacement et le degré de rigidité de la gaine, installer un renfort de gaine.



### **Avertissement : Dangers liés à la condensation de vapeur, au feu et au gel de l'eau.**

Peut causer des pannes du ventilateur et des limiteurs ou des dégâts d'eau.

- Ne pas installer l'appareil à un endroit où la température ambiante est inférieure à 0 °C (32 °F) ou supérieure à 49 °C (120 °F).
- Ne pas installer l'humidificateur sur les parois latérales d'une gaine de retour d'air fabriquée en bois (p. ex. des solives de plancher).
- La surface de montage doit être assez résistante pour supporter le poids de l'humidificateur rempli d'eau (approximativement entre 5,4 kg et 6,8 kg [12 et 15 lb]) et pour maintenir l'appareil de niveau afin d'assurer un fonctionnement sécuritaire et fiable. Sinon, renforcer la gaine ou le mur.
- Si l'intérieur de la gaine est garni de matériel isolant exposé, enlever l'excès d'isolant au point d'insertion de manière à bien dégager la buse. Il peut être préférable de remplacer une section de la gaine isolée (approximativement 15 cm x 15 cm [6 po x 6 po]) par une section de tôle non isolée pour rendre l'installation adéquate.
- Monter l'appareil à un endroit où le débit d'air est régulier, à l'extrémité de la buse de vapeur.
- Laisser un espace d'au moins 30 cm (1 pi) au dessus des orifices de ventilation dans le couvercle de l'humidificateur. Ne pas recouvrir ces orifices, ce qui pourrait faire augmenter la température interne de fonctionnement et raccourcir la durée de vie de l'humidificateur.
- Laisser au moins 10 cm (4 po) de dégagement entre l'orifice d'insertion de la buse de vapeur et le haut de l'intérieur de la gaine pour éviter la formation de condensation à l'intérieur de la gaine. Le gabarit de montage est conçu pour assurer ce dégagement si sa partie supérieure est placée à égalité ou en dessous de la surface supérieure de l'intérieur de la gaine.
- Ne pas monter l'appareil directement sur une gaine à panneaux. L'adaptateur de buse à distance ne peut être utilisé qu'avec le nécessaire d'adaptation pour une gaine à panneaux (pièce 32005636-001).
- Ne pas installer l'appareil dans un espace totalement clos comme une armoire ou un placard non aéré. Choisir un emplacement bien ventilé.



Pour une installation sur la gaine de soufflage, suivre les instructions aux pages 35 et 36 et aux pages 43 à 48. Pour une installation à distance, suivre les instructions aux pages 37 à 48.

## INSTALLATION SUR GAINE

**1**

Choisir un emplacement qui donne accès à :

- un drain permettant de donner au tuyau d'évacuation une pente de 2 cm par mètre (1/4 po par pied);
- un tuyau d'eau froide;
- un circuit électrique de capacité suffisante;
- une surface verticale offrant un dégagement suffisant.

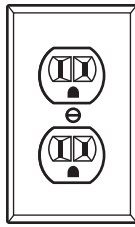


Pente régulière

L'eau de vidange peut être chaude. S'assurer que la sortie du drain n'est pas exposée.



M24744

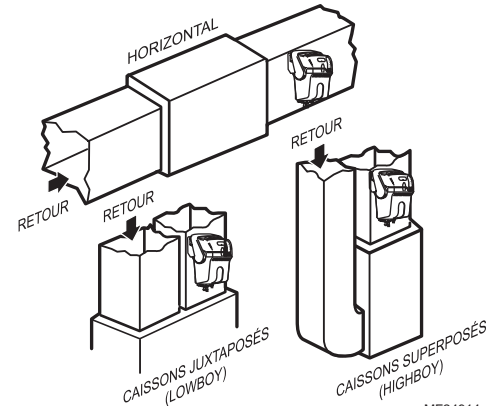


M24745



### AVERTISSEMENT

L'eau chaude à une température qui dépasse 120 °F (49 °C) peut causer des brûlures par ébullition.



MF24914

### Modèle

HM506

HM509

HM512

### Capacité minimale du circuit électrique

7 ampères

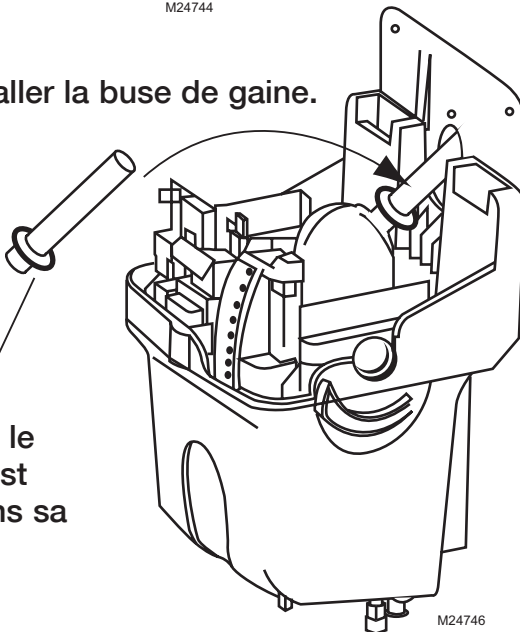
10 ampères

12 ampères

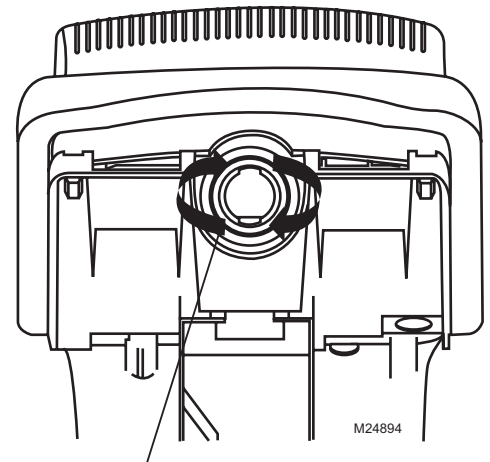
**2**

Installer la buse de gaine.

S'assurer que le joint torique est bien posé dans sa rainure.



M24746



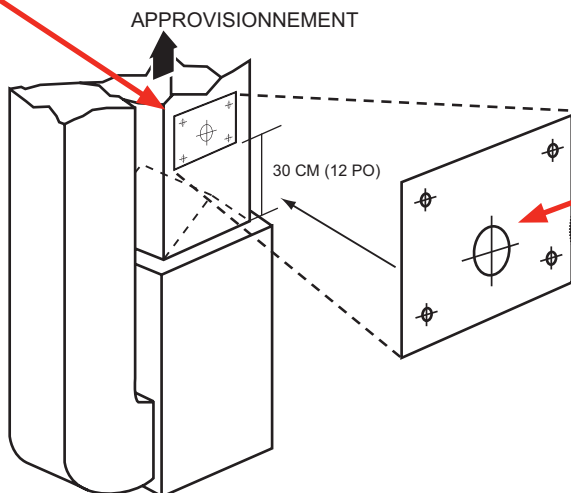
M24894

Insérer la buse et la tourner dans le sens horaire pour que le joint entre la buse et le TrueSTEAM soit étanche.

## INSTALLATION SUR GAINÉ

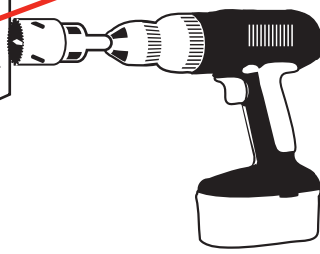
**3**

Placer le gabarit autocollant sur la gaine de soufflage. Dans le cas où les grands serpentins ne permettent de laisser un dégagement suffisant, suivre les instructions de montage à distance.



**4**

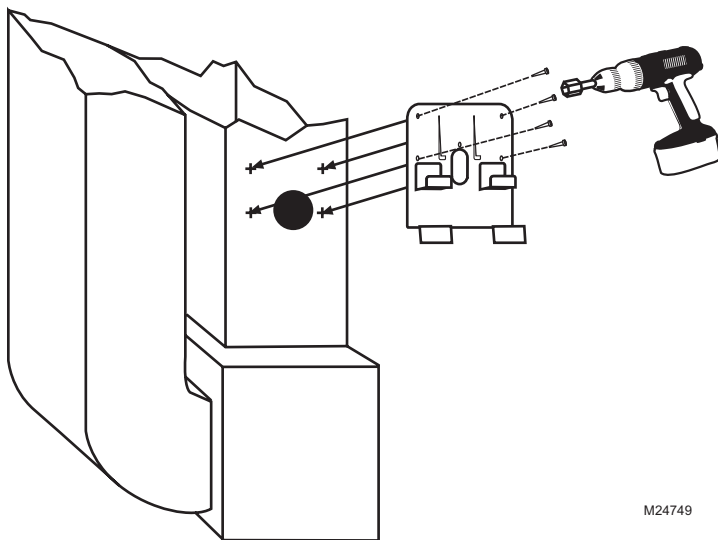
Percer un trou de 4,5 cm (1 3/4 po).



MF24748

**5**

Fixer le support à la gaine avec 4 vis à métal autotaraudeuses n° 8

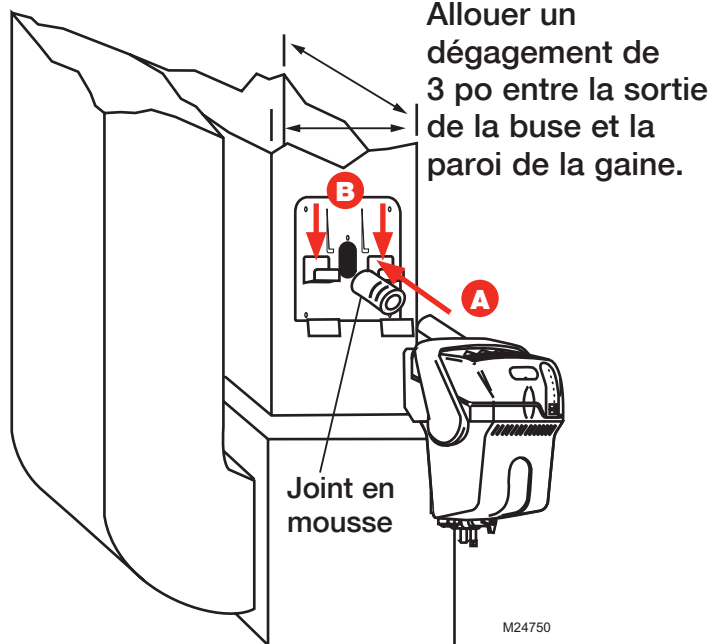


M24749

**6**

A) Glisser le joint en mousse par-dessus la buse et insérer la buse dans l'orifice de la gaine (voir l'illustration).

B) Pousser l'humidificateur vers le bas de manière à bien le fixer sur le support. S'assurer que le joint en mousse dans l'orifice de la gaine est bien étanche.



M24750

**Passer à la page 43 pour les directives concernant la plomberie et le câblage.**

## INSTALLATION À DISTANCE

Suivre ces instructions pour installer l'appareil ailleurs que sur la gaine de soufflage.

La plupart des problèmes de fonctionnement sont causés par une mauvaise installation du tuyau. Dans une installation à distance, toujours s'assurer qu'il y a une pente ascendante. Éviter la formation de plis, d'angles aigus ou points bas qui peuvent restreindre le flux de la vapeur dans la buse d'injection ou provoquer sa condensation dans l'humidificateur.

S'il est impossible d'installer le tuyau d'installation à distance avec une pente ascendante de 10,5 cm par mètre (2 po par pi), installer un raccord en T pour l'égouttement. Autrement, la pression de retour dans l'humidificateur TrueSTEAM peut entraîner la projection d'eau dans la gaine par la buse ou une fuite du joint. Le tuyau d'installation à distance doit être soutenu pour prévenir son affaissement et les points bas.

1

Choisir l'emplacement de l'humidificateur TrueSTEAM et de la buse de gaine à distance. (Consulter l'installation à distance aux pages 32 et 33.)

Il faut avoir accès à :

- un endroit permettant d'installer le tuyau de vapeur avec une pente ascendante continue de 10,5 cm par mètre (2 po par pied);
- un drain permettant une pente descendante continue;
- un tuyau d'eau froide;
- un circuit électrique de capacité suffisante (consulter l'information sur les capacités du circuit à la page 40).

Entonnoir ou drain de plancher. Consulter les codes de construction pour connaître les exigences relatives à la dimension et la température maximale.

**Dans le cas d'un montage à distance,** suivre également les étapes suivantes car elles permettent de choisir l'appareil TrueSTEAM approprié :

Si le tuyau de distribution de vapeur passe dans un endroit non chauffé, par exemple un grenier, isoler ce tuyau pour assurer la sortie efficace de la vapeur :

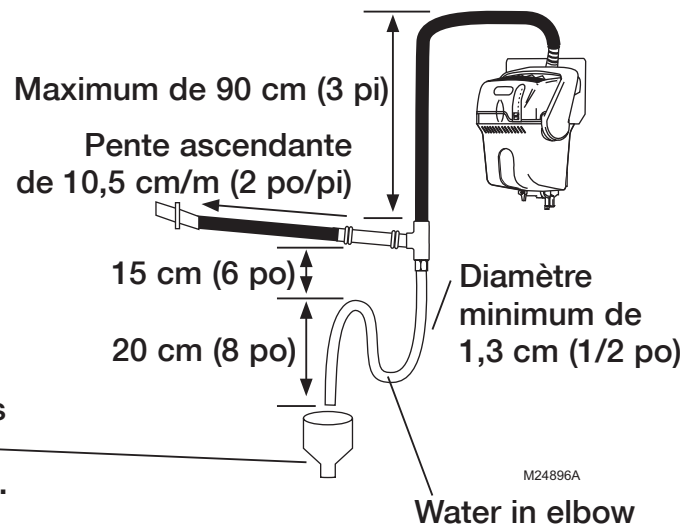
- Un isolant autoscellant pour tuyaux d'eau chaude et d'eau froide est recommandé. Tuyau isolé de 29 mm (1 1/8 po) de diam. int. x 38 mm (1,5 po), homologué Factory Mutual 25/50, n° 062411, ignifuge.

Le modèle HM506 de 23 L (6-gall.) peut être monté à une distance maximale de :

- 1,5 mètre (5 pieds) avec tuyau de distribution de vapeur non isolé
- 4,5 mètres (15 pieds) si le tuyau de distribution de vapeur est isolé

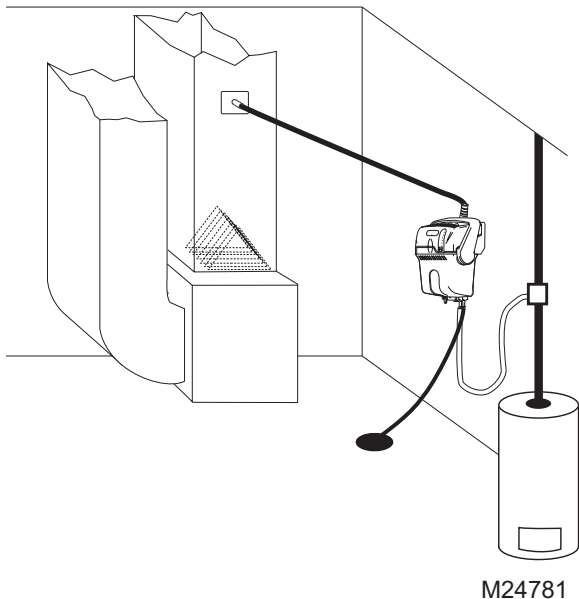
Les modèles HM509 et HM512, respectivement de 34 L (9 gall.) et 45 L (12-gall.) peuvent être montés jusqu'à une distance de 6 mètres (20 pieds) avec un tuyau de distribution de vapeur isolé ou non isolé.

Prévoir une pente ascendante d'au moins 10,5 cm par mètre (2 po par pi) si le tuyau à distance est installé à l'horizontale.



## INSTALLATION CORRECTE DU TUYAU

### À distance dans la pièce de chauffage ou des installations mécaniques



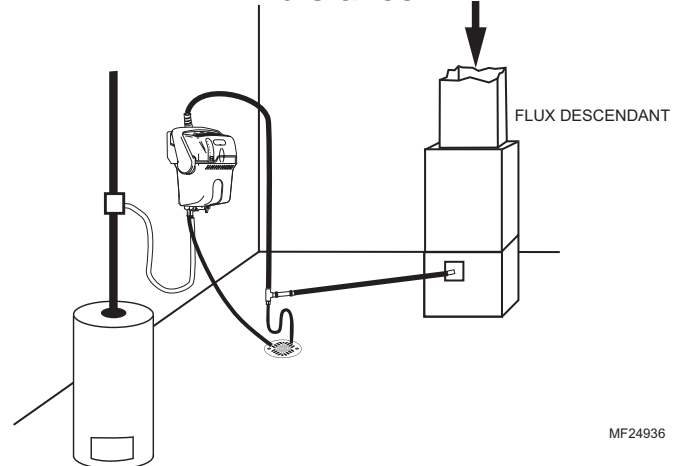
**Remarque :** Si la température à l'endroit où est situé l'appareil de conditionnement de l'air peut descendre en dessous du point de congélation, il faut installer l'humidificateur TrueSteam dans un endroit chauffé et amener un tuyau jusqu'à la gaine.



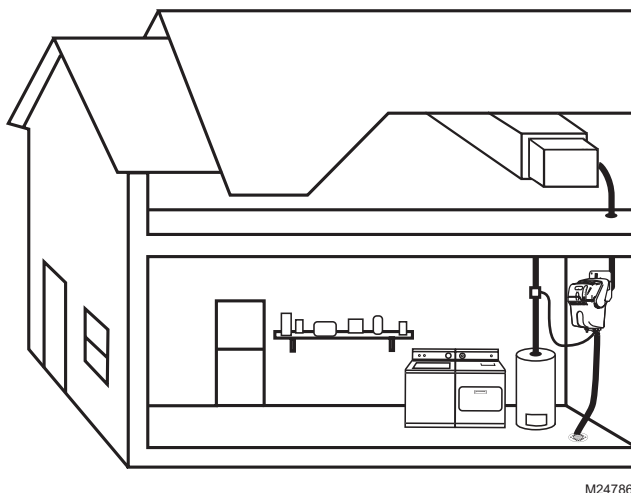
### AVERTISSEMENT

L'eau chaude à une température qui dépasse 120 °F (49 °C) peut causer des brûlures par ébullantage.

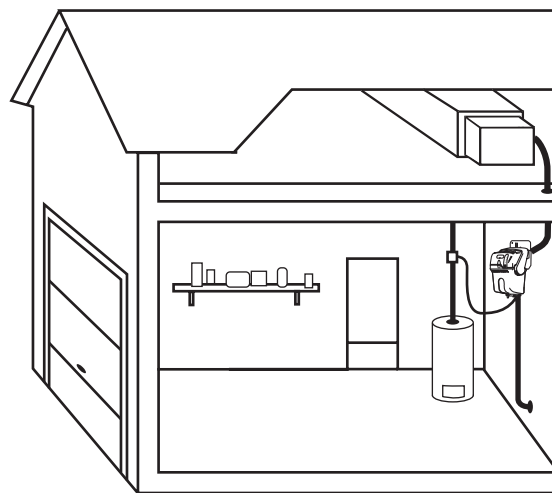
### Montage sur gaine à distance



### Installation dans des pièces habitées

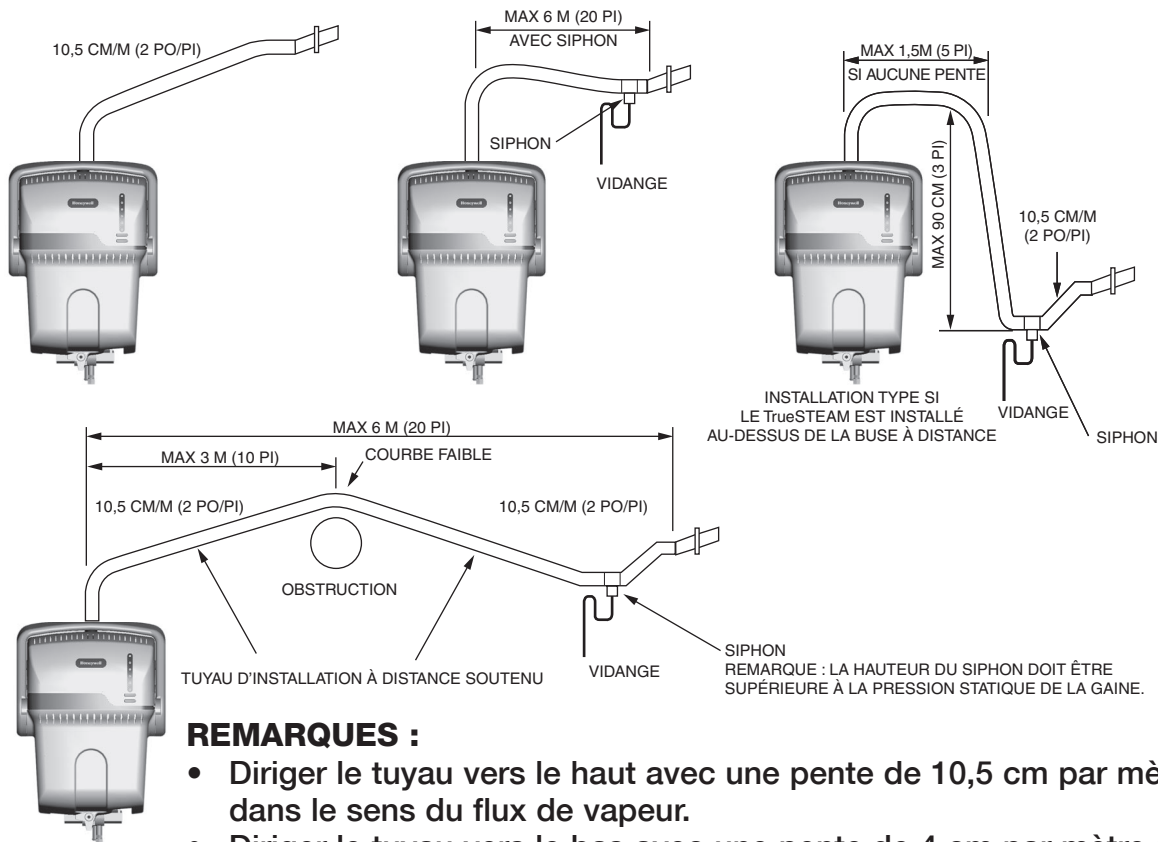


### À distance dans le garage



L'eau de vidange peut être chaude. S'assurer que la sortie du drain n'est pas exposée.

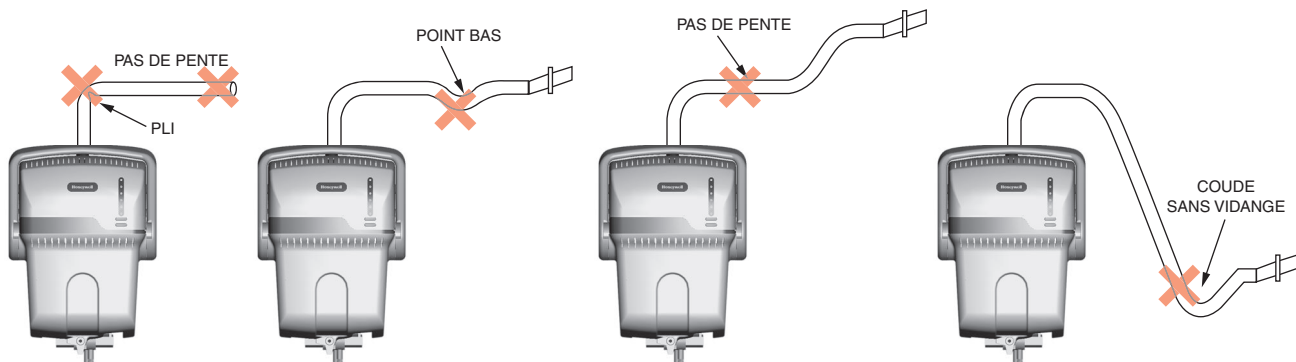
## INSTALLATION CORRECTE DU TUYAU



### REMARQUES :

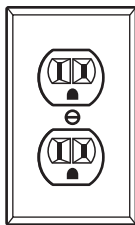
- Diriger le tuyau vers le haut avec une pente de 10,5 cm par mètre (2 po par pi) dans le sens du flux de vapeur.
- Diriger le tuyau vers le bas avec une pente de 4 cm par mètre (3/4 po par pi).
- Le tuyau d'installation à distance POUR la vapeur doit avoir une longueur maximale de 6 m (20 pi)
- La hauteur du siphon doit être supérieure à la pression statique de la gaine. Normalement, une hauteur de 8 cm (3 po) est suffisante. Le siphon doit aussi être muni d'un dispositif d'égouttement (voir à la page 37).
- Réduire au minimum les angles aigües et les coudes.
- Dans des espaces sans chauffage ni refroidissement, l'efficacité du tuyau d'installation à distance sera plus grande si celui-ci est isolé.

### ÉVITER CES ERREURS D'INSTALLATION.



MF24915

## INSTALLATION À DISTANCE



M24745

### Modèle

HM506

HM509

HM512

### Capacité minimale du circuit électrique

7 ampères

10 ampères

12 ampères

2

Installer l'adaptateur de tuyau fourni dans l'ensemble d'installation à distance.

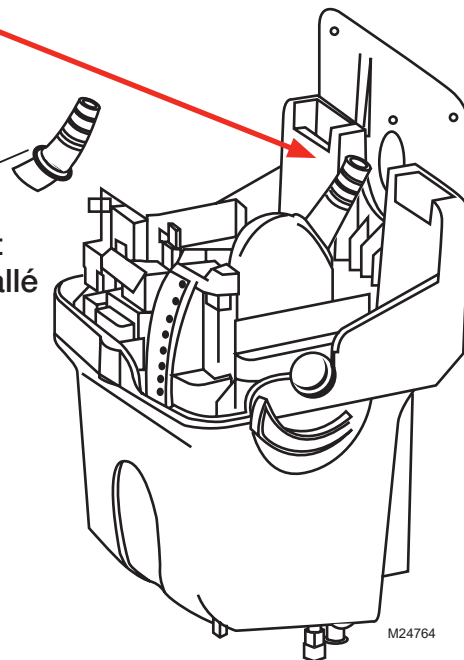
L'eau de vidange peut être chaude. S'assurer que la sortie du drain n'est pas exposée.

Pente Régulière



M24744

S'assurer que le joint torique est bien installé dans sa rainure.



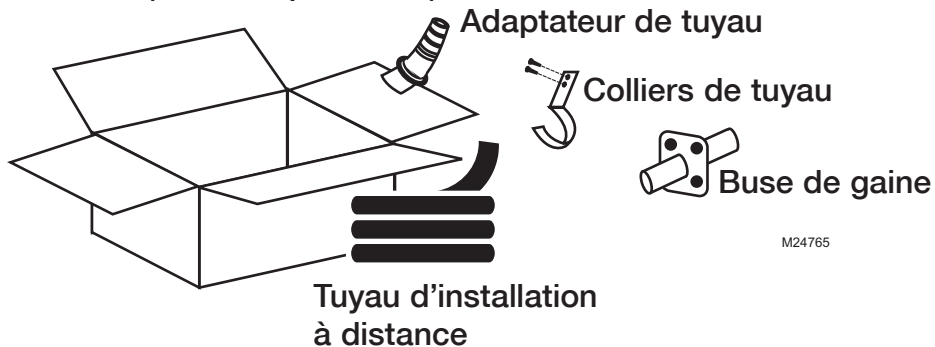
M24764



### AVERTISSEMENT

L'eau chaude à une température qui dépasse 120 °F (49 °C) peut causer des brûlures par ébullition.

### Ensemble d'installation à distance (vendu séparément)



Adaptateur de tuyau

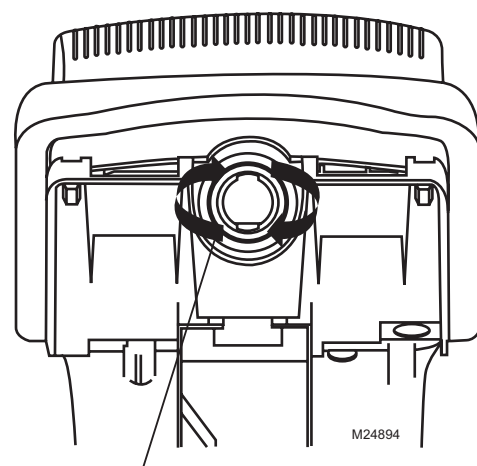
Colliers de tuyau

Buse de gaine

M24765

Tuyau d'installation à distance

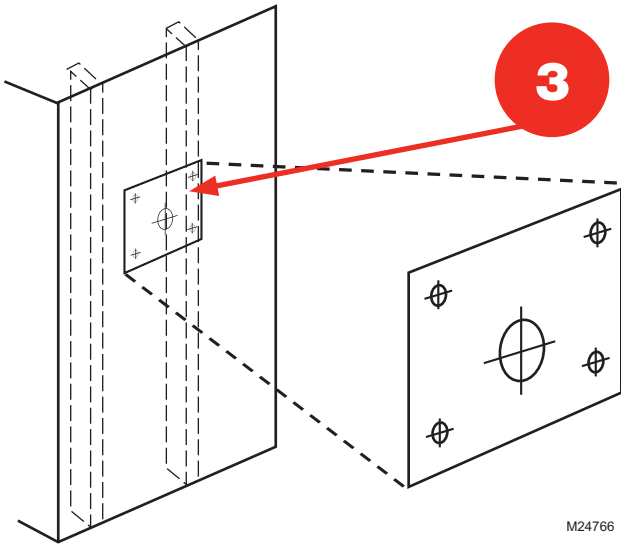
- 50024917-001 = Ensemble de tuyau de raccordement de 3 m (10 pi)
- 50024917-002 = Ensemble de tuyau de raccordement de 6 m (20 pi)



M24894

Insérer la buse et la tourner dans le sens horaire pour que le joint entre la buse et le TrueSTEAM soit étanche.

## INSTALLATION À DISTANCE

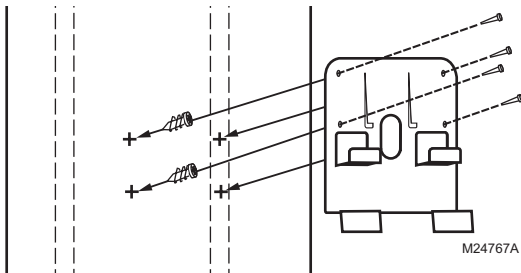


Placer le gabarit autocollant à l'emplacement d'installation à distance.

**Remarque :** L'humidificateur TrueSTEAM pèse entre 5,4 à 6,8 kg (+/- 1 kg) (12 à 14 lb (+/- 2 lb) une fois qu'il est rempli d'eau. S'il est monté sur un mur de plâtre ou de placoplâtre, installer un des côtés de l'humidificateur sur un montant du mur.

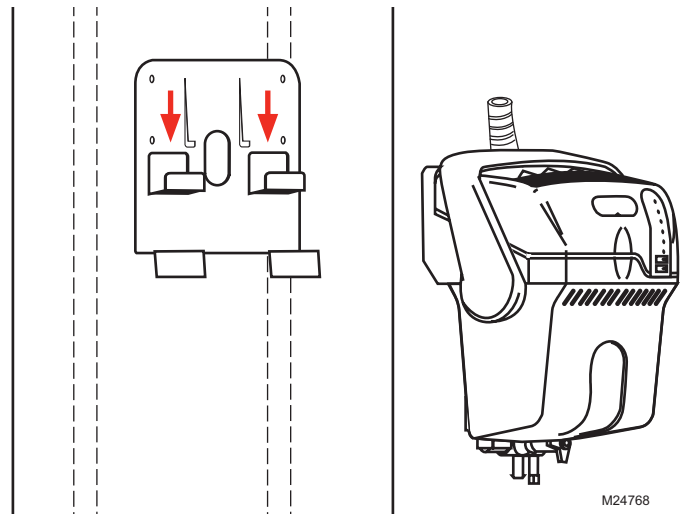
4

Poser 4 ancrages de mur dans des trous pilotes et fixer le support en position.



5

Pousser l'humidificateur vers le bas pour bien le fixer sur le support.



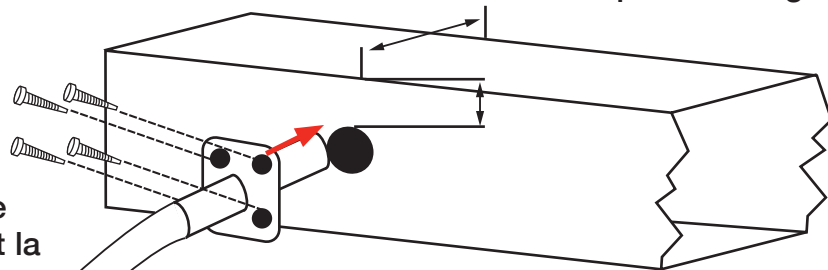


## INSTALLATION À DISTANCE

6

Découper un trou de 4,4 cm (1 3/4 po) dans la gaine. Installer le joint fourni. Insérer la buse à distance dans la gaine. Fixer la buse à la gaine avec 4 vis à métal autotaraudeuses n° 8.

Un dégagement minimal de 3 po est requis entre la sortie de la buse et la paroi de la gaine

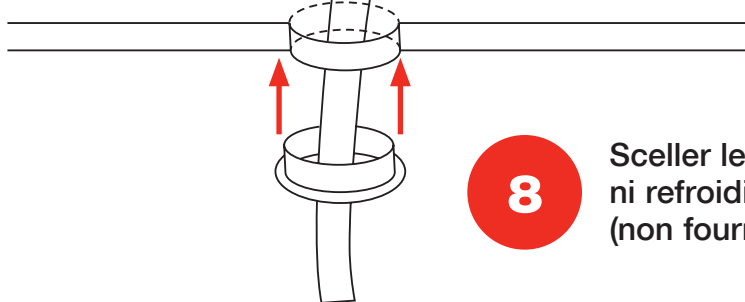


M24770

7

Installer le tuyau d'installation à distance entre l'humidificateur et la buse. Ce tuyau doit avoir une longueur maximale de 6 m (20 pi).

Si le tuyau à distance doit passer dans un élément de structure (par. ex. un mur ou un plafond), découper un trou d'au moins 4,4 cm (1 3/4 po) pour l'installer.



8

Sceller les espaces sans chauffage ni refroidissement avec une rondelle (non fournie) ou du calfeutrage.

9

Fixer le tuyau d'installation à distance à la buse et à son adaptateur en le glissant par-dessus l'un et l'autre. Fixer le tuyau aux deux bouts avec les colliers fournis.



M24771

### IMPORTANT :

Installer le tuyau avec une pente ascendante continue. Dans le cas d'une installation horizontale, s'assurer de conserver une pente ascendante de 10,5 cm par mètre (2 po par pied). Fixer le tuyau à tous les 30 cm (12 po) avec les colliers fournis.

Dans le cas d'un long circuit horizontal, soutenir le tuyau en le fixant sur un montant de 61 x 122 cm (2 x 4 po), un profilé en U ou une cornière, installés selon la pente appropriée. Si une section du tuyau doit être installée avec une pente descendante, consulter les instructions aux pages 35 et 37.

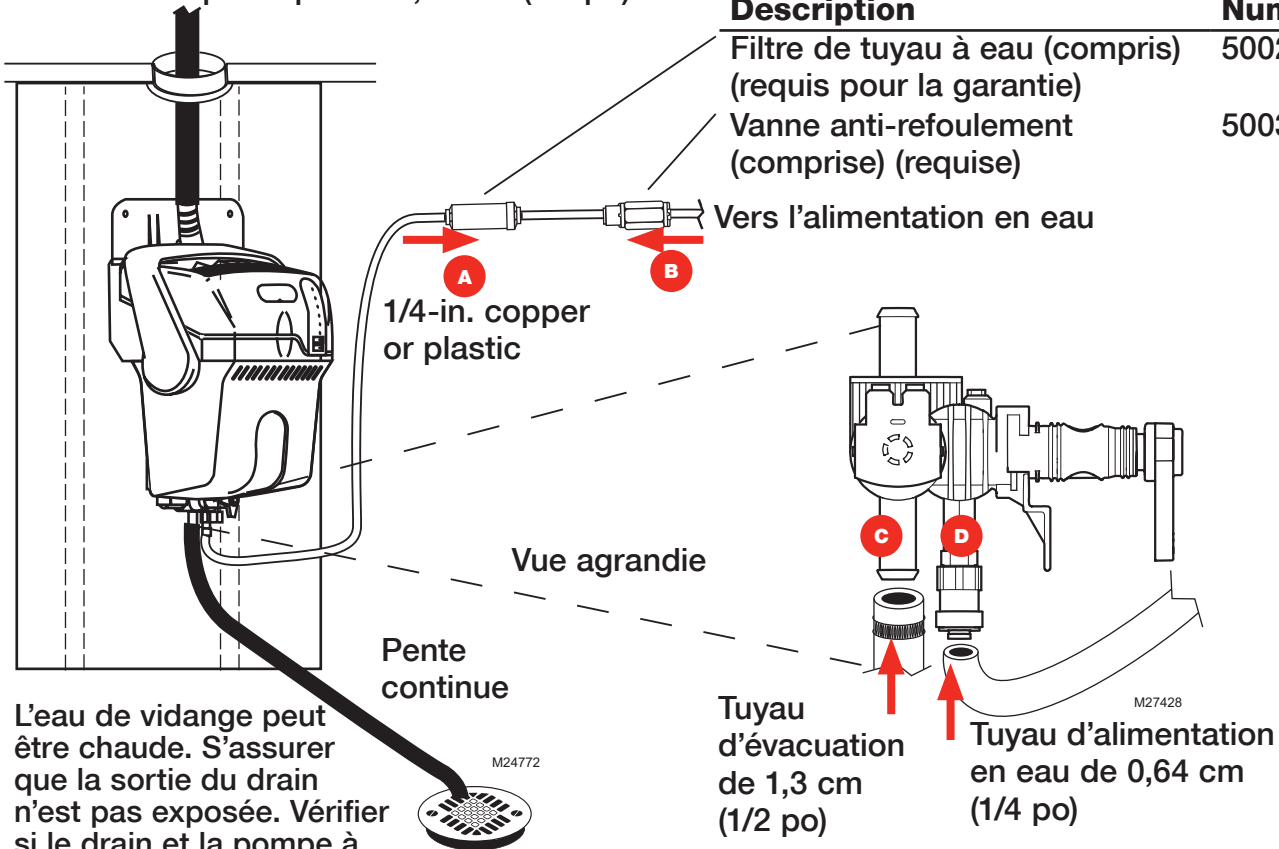


**PLOMBERIE**

**10**

- A** Insérer le tuyau d'eau de 64 mm (1/4 po) dans le filtre. Appliquer une légère pression pour assurer l'étanchéité.
- B** Insérer le tuyau d'eau de 64 mm (1/4 po) dans la vanne anti-refoulement. Appliquer une légère pression pour assurer l'étanchéité.
- C** Raccorder un tuyau d'évacuation de 1,3 cm (1/2 po). Fixer le tuyau d'évacuation au raccord cannelé avec un collier à tuyau.
- D** Couper l'alimentation en eau. Installer un tuyau d'alimentation en eau en cuivre ou en plastique de 0,64 cm (1/4 po).

Description	Numéro
Filtre de tuyau à eau (compris) (requis pour la garantie)	50028044-001
Vanne anti-refoulement (comprise) (requis)	50030142-001



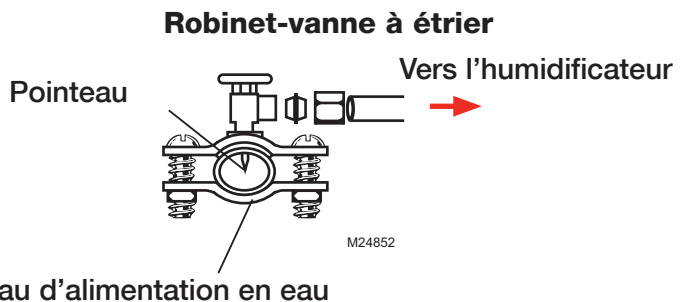
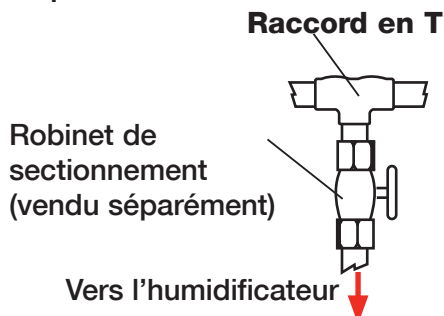
L'eau de vidange peut être chaude. S'assurer que la sortie du drain n'est pas exposée. Vérifier si le drain et la pompe à condensats sont conçus pour les applications où la température de l'eau peut atteindre 49 °C (120 °F).



**AVERTISSEMENT**

L'eau chaude à une température qui dépasse 120 °F (49 °C) peut causer des brûlures par ébouillantage.

Autres options de raccordement du tuyau d'alimentation en eau. Voir les instructions correspondant à l'option choisie.

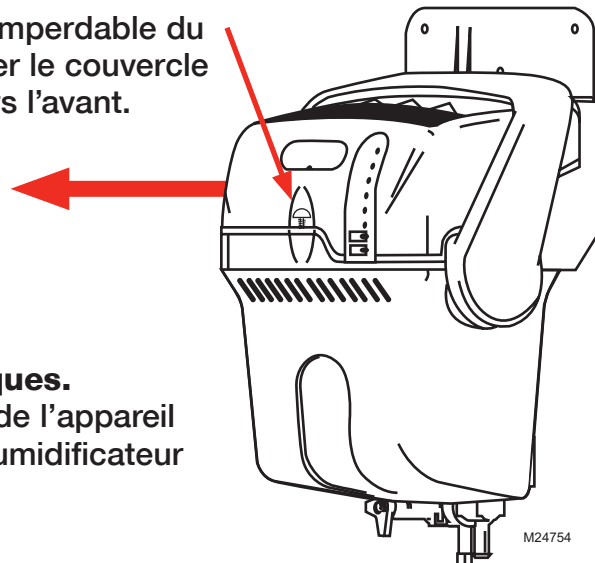


Vérifier tous les raccords des tuyaux pour s'assurer qu'il n'y a aucune fuite, une fois le TrueSTEAM en marche.

## CÂBLAGE

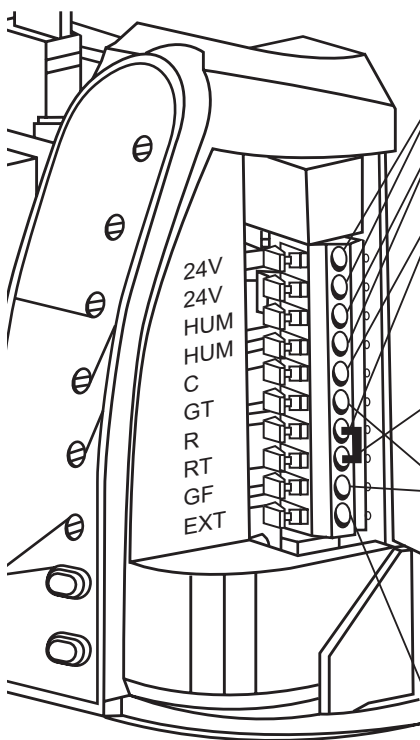
**11**

Desserrer la vis imperdable du couvercle. Enlever le couvercle en le glissant vers l'avant.



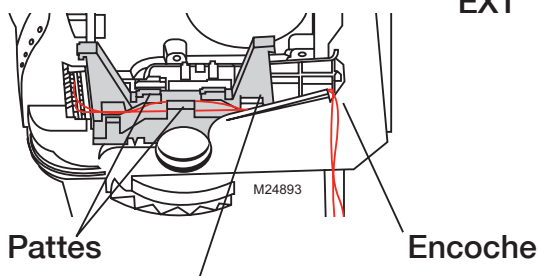
### MISE EN GARDE : Risque de chocs électriques.

Avant d'effectuer le raccordement aux bornes de l'appareil CVCA, débrancher l'appareil. S'assurer que l'humidificateur est débranché.



### Bornes basse tension

- 24V** Alimentation c.a. pour un humidistat électronique.
- HUM** Bornes basse tension de l'humidistat ou du thermostat commandant le fonctionnement de l'humidificateur.
- C, R** Se raccordent aux bornes du transformateur de l'appareil CVCA ou aux bornes R et C du transformateur du relais de commande du ventilateur. Permet d'assurer que l'appareil CVCA est en marche avant de faire fonctionner l'humidificateur. Cette fonction peut être désactivée en changeant le réglage du commutateur DIP 4 (voir à la page 46).
- RT** Se raccorde à la borne R du thermostat, qui sert normalement à transmettre les demandes de mise en marche du ventilateur.
- GT, GF** La borne GT se raccorde à la borne G du thermostat. La borne GF se raccorde à la borne G du panneau du ventilateur. Le signal de la borne G se rend à la borne GF, par les contacts normalement fermés du relais, pour activer le ventilateur. Quand le TrueSTEAM est prêt à fournir de l'humidité à la maison, il commande le ventilateur en faisant passer le courant de la borne RT à la borne GF si le ventilateur n'est pas déjà en marche.
- EXT** Si la mise en marche du ventilateur n'est pas commandée par un panneau de 24 V c.a. (dans les applications à eau chaude ou de refroidissement seulement), le raccordement de cette borne avec la borne GF assure la fermeture à contact sec pour les demandes de ventilation. Les bornes EXT et GF peuvent être raccordées à un centre de commande à relais basse tension pour la commande du ventilateur par la tension secteur.



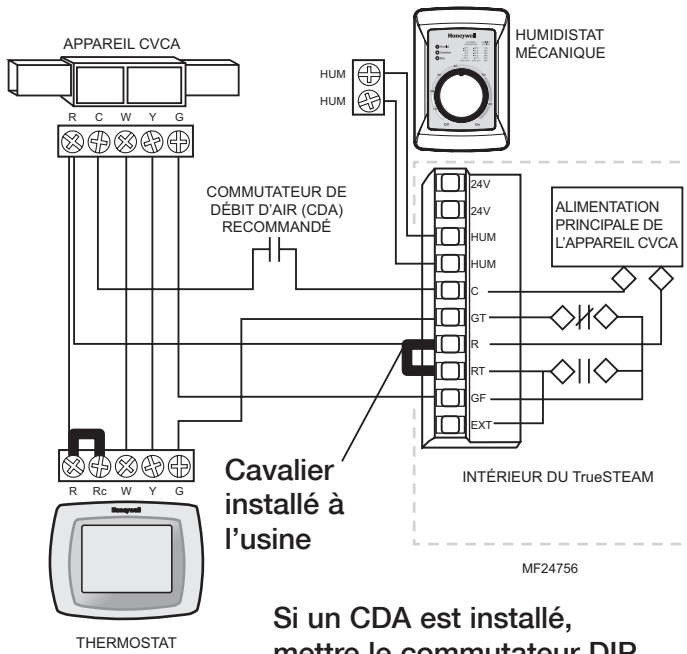
Faire passer les fils entre les pattes ouvertes de l'attache-fil et dans l'encoche à l'arrière du boîtier. S'assurer que les fils sont bien fixés et ne nuisent pas au montage du couvercle.

# CÂBLAGE

12

## Consulter le schéma de raccordement qui correspond à l'application avec l'humidificateur TrueSTEAM.

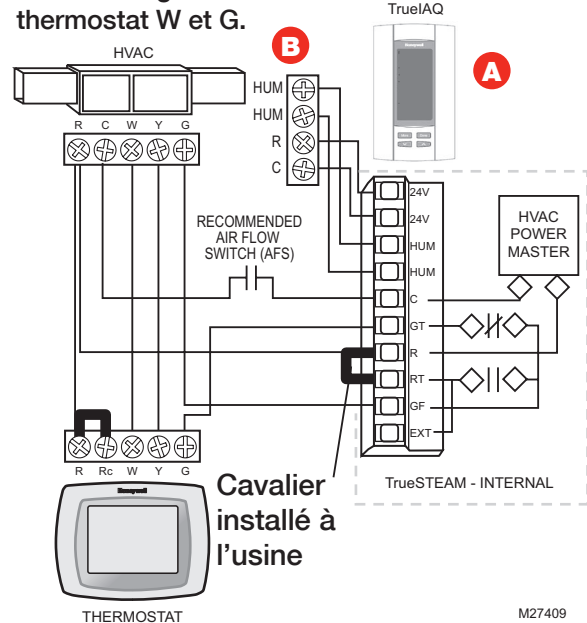
Se servir de ce schéma dans une application avec un humidistat mécanique comme le H8908ASPST.



Si un CDA est installé, mettre le commutateur DIP 5 à la position ON.

Suivre le schéma suivant pour le raccordement du TrueIAQ utilisé en mode manuel.

- A** Régler le paramètre 10 du IAQ à 1 et régler le paramètre 25 à 2.
- B** Pour le fonctionnement en mode automatique, raccorder également les bornes W et G aux bornes du thermostat W et G.

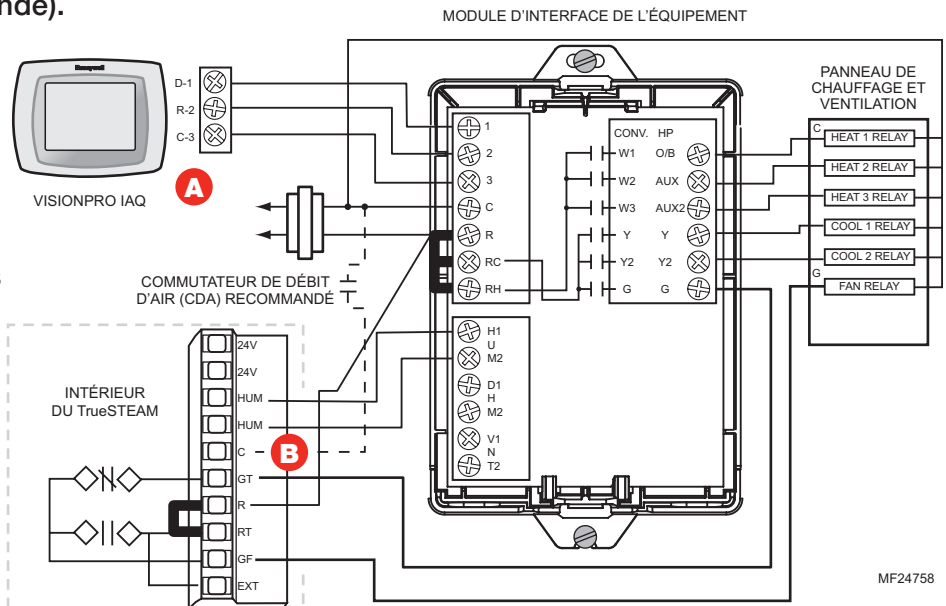


Si un CDA est installé, mettre le commutateur DIP 5 à la position ON.

Se servir de ce schéma dans une application avec un VisionPRO IAQ pour la commande indépendante du ventilateur. L'humidificateur TrueSTEAM commande de façon indépendante le ventilateur de l'appareil CVCA (humidité sur demande).

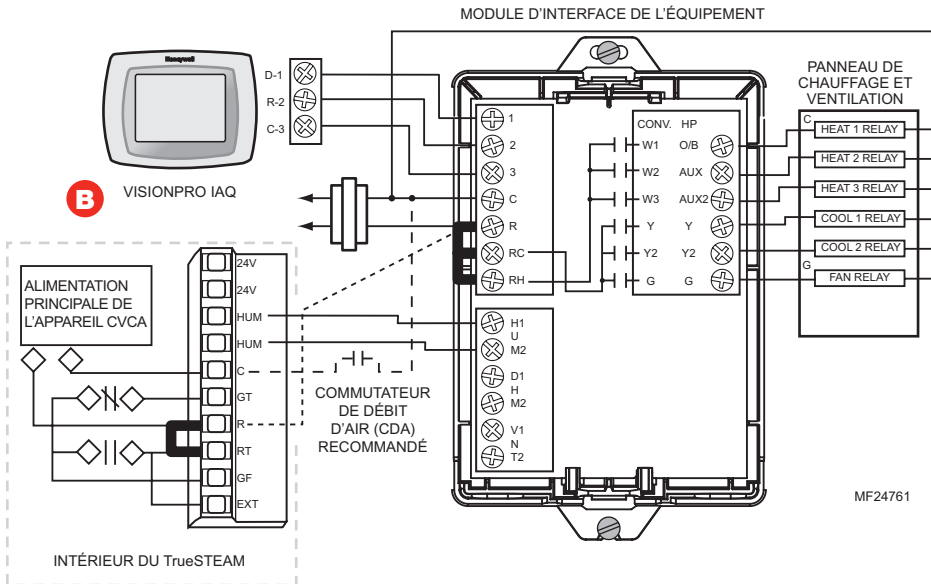
- A** Régler le paramètre 374 du VisionPRO IAQ à 3.
- B** Lorsqu'on fait fonctionner l'humidificateur TrueSTEAM sans surveillance de l'alimentation de l'appareil CVCA ou sans CDA, le raccordement de la borne C est optionnel. Régler alors le commutateur DIP 4 à la position ON.

Si un CDA est installé, mettre le commutateur DIP 5 à la position ON.



## CÂBLAGE

Se servir de ce schéma dans une application avec un VisionPRO IAQ où la mise en marche du système dépend de l'alimentation de l'appareil de chauffage (humidification et ventilation commandées par le thermostat).

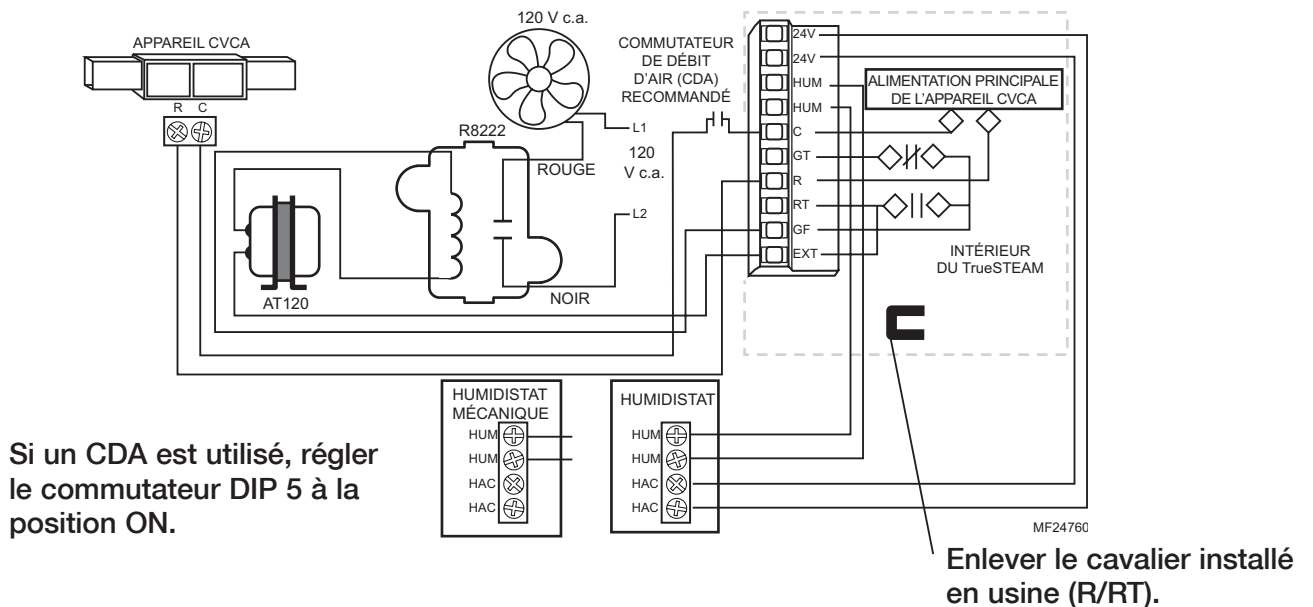


**B** Régler le paramètre 374 du VisionPRO IAQ à 1. Ce réglage permet au thermostat de mettre le ventilateur en marche lorsqu'il fait fonctionner l'humidificateur.

Si il n'y a pas de CDA, régler le commutateur DIP 4 à la position ON et ne raccorder que les bornes HUM.

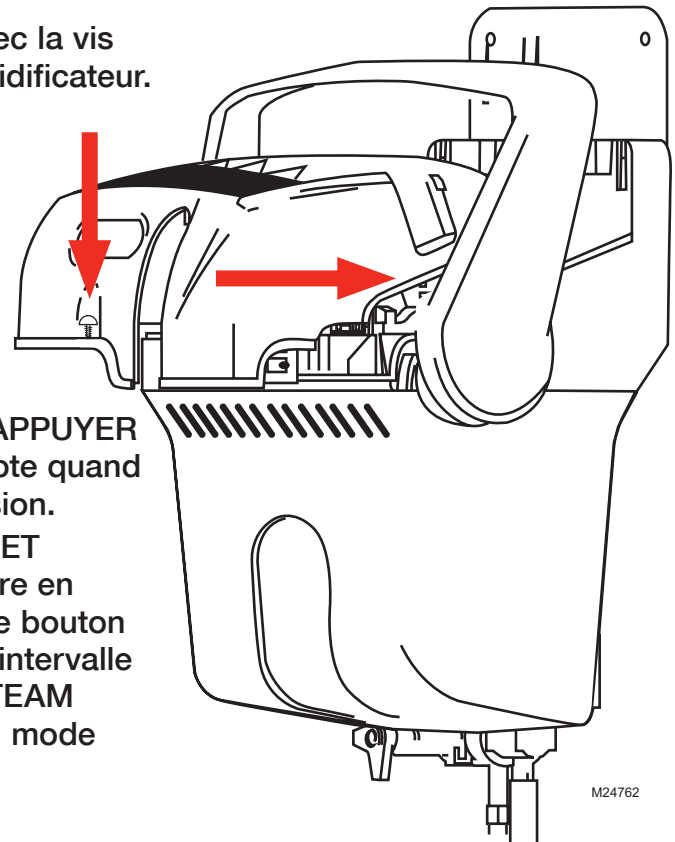
Si un CDA est utilisé, régler le commutateurs DIP 5 à la position ON, et le DIP 4 à la position OFF; raccorder les bornes R, C et HUM.

Suivre ce schéma dans une installation où le ventilateur est utilisé seulement avec l'humidificateur TrueSTEAM (ventilateur indépendant de l'appareil CVCA, comme dans un système à eau chaude ou un système de refroidissement seulement).



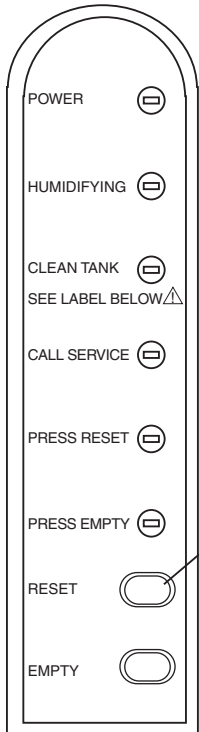
**CÂBLAGE****13**

Glisser le couvercle en place et le fixer avec la vis imperdable. Ouvrir l'eau et brancher l'humidificateur.

**14**

Le voyant PRESS RESET (APPUYER SUR RÉARMEMENT) clignote quand l'appareil est mis sous tension.

Appuyer sur le bouton RESET (RÉARMEMENT) pour mettre en marche le TrueSTEAM. Si le bouton n'est pas enfoncé dans un intervalle de cinq minutes, Le TrueSTEAM passe automatiquement en mode READY (PRÊT).



M24763

M24762

**15**

Régler le régulateur d'humidité à la position « Test ». Si cette position n'existe pas, le régler à un point de consigne élevé, soit plus de 60 %. Ne pas oublier de baisser le réglage ou d'arrêter le régulateur à la fin de l'essai. La position OFF met l'humidificateur TrueSTEAM hors fonction.

**16**

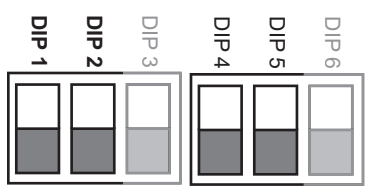
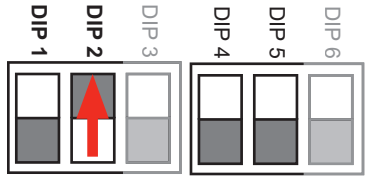
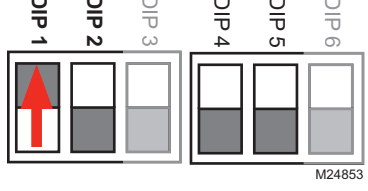
Vérifier que le ventilateur de l'appareil de chauffage est en marche de manière à faire circuler l'air. Le ventilateur se met en marche 10 à 15 minutes après la demande d'humidification.

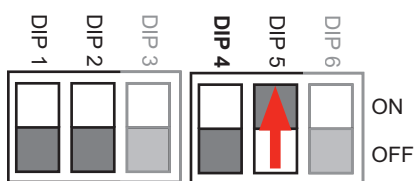
**Important dans le cas d'une installation à distance :**

Après 10 à 15 minutes de production de vapeur, s'assurer qu'aucun point bas ne se forme dans le tuyau. Ajouter des colliers ou les ajuster si nécessaire pour assurer une pente continue de 10,5 cm par mètre (2 po par pied).

## RÉGLAGE DES COMMUTATEURS DIP

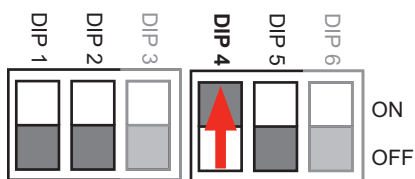
Deux groupes de commutateurs DIP sont situés sur le panneau de circuit entre le transformateur et les voyants à DEL. Les commutateurs DIP 1 et DIP 2 servent à configurer les cycles de nettoyage. Les commutateurs DIP 4 et DIP 5 permettent de simplifier le raccordement. Actuellement, les commutateurs DIP 3 et DIP 6 ne servent pas. Consulter le tableau ci-dessous pour connaître le détail des réglages.

	Durée de fonctionnement (heures)	Minuterie de fin de saison (heures)	Indicateur de nettoyage du réservoir
	10 heures de fonctionnement avant la vidange automatique des débris du réservoir.	Après 48 heures d'inactivité, une vidange automatique est effectuée; le réservoir reste vide jusqu'à la prochaine demande d'humidité.	1 année complète (que l'appareil fonctionne ou non), avant que le voyant PRESS EMPTY (APPUYER SUR VIDANGE) ne clignote pour indiquer qu'il est temps de nettoyer manuellement le réservoir d'eau.
	20 heures de fonctionnement avant la vidange automatique des débris du réservoir.	Après 48 heures d'inactivité, une vidange automatique est effectuée; le réservoir reste vide jusqu'à la prochaine demande d'humidité.	1 année complète (que l'appareil fonctionne ou non), avant que le voyant PRESS EMPTY (APPUYER SUR VIDANGE) ne clignote pour indiquer qu'il est temps de nettoyer manuellement le réservoir d'eau.
	30 heures de fonctionnement avant la vidange automatique des débris du réservoir.	Après 48 heures d'inactivité, une vidange automatique est effectuée; le réservoir reste vide jusqu'à la prochaine demande d'humidité.	1 année complète (que l'appareil fonctionne ou non), avant que le voyant PRESS EMPTY (APPUYER SUR VIDANGE) ne clignote pour indiquer qu'il est temps de nettoyer manuellement le réservoir d'eau.

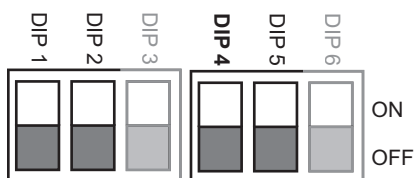


**DIP 4 OFF, DIP 5 ON :** Si, deux minutes après une demande de ventilation, il n'y a pas de débit d'air\*, l'humidificateur TrueSTEAM arrête la production de vapeur et fait clignoter un voyant indiquant le besoin d'entretien.

\*Un commutateur de débit d'air doit être installé. Consulter la section Raccordement.



**DIP 4 ON, DIP 5 ON ou OFF :** L'humidificateur TrueSTEAM produit de l'humidité même si l'appareil CVCA n'est pas alimenté et s'il n'y a pas de débit d'air.



**DIP 4 OFF, DIP 5 OFF :** L'humidificateur TrueSTEAM ne produit pas d'humidité si le système CVCA n'est pas alimenté.



## DÉPANNAGE

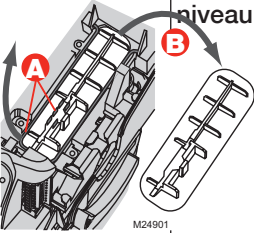
L'humidificateur TrueSTEAM est doté d'un système de diagnostic qui surveille le fonctionnement du système, fait fonctionner les minuteries d'entretien et indique les problèmes en cours. Si le système détecte un problème de fonctionnement, il essaie de rétablir lui-même le fonctionnement dans les 24 heures. S'il en est incapable, le voyant rouge CALL SERVICE (APPEL DE SERVICE) s'allume.

Le voyant CALL SERVICE (APPEL DE SERVICE) est rouge lorsque le système de diagnostic a identifié un problème que l'humidificateur ne peut régler de lui-même. Le tableau ci-dessous décrit les problèmes possibles et la procédure de dépannage.

Si le voyant rouge CALL SERVICE (APPEL DE SERVICE) est allumé, appuyer sur le bouton RESET (RÉARMEMENT). Le voyant rouge CALL SERVICE (APPEL DE SERVICE) émet alors une série de clignotements qui permet d'identifier le problème. Consulter le tableau ci-dessous pour identifier le problème qui correspond au nombre de clignotements. Pour corriger le problème, appuyer sur le bouton RESET (RÉARMEMENT) pendant 5 secondes.

Maintenir le bouton EMPTY (VIDANGE) enfoncé pour éteindre un voyant de minuterie de service (par exemple le voyant PRESS EMPTY (APPUYER SUR VIDANGE)).

Appuyer sur le bouton EMPTY (VIDANGE) pour vidanger le réservoir.

Nombre de clignotements du voyant rouge	Description du problème	Rétablissement possible par le système?	Marche à suivre par un technicien qualifié en CVCA seulement pour régler le problème
1	Problème de température de l'eau ou au niveau de l'élément chauffant.	Oui. Le système revient en mode READY (PRÊT) si le problème est disparu au bout d'une heure.	<ul style="list-style-type: none"> <li>• Débrancher le TrueSTEAM et enlever le couvercle.</li> <li>• Vérifier la connexion du capteur de niveau d'eau au panneau électronique.</li> <li>• Replacer le couvercle et rebrancher le TrueSTEAM.</li> <li>• Si le problème réapparaît, suivre les étapes de nettoyage aux pages aux pages 53-56.</li> <li>• Réinstaller le réservoir et appuyer sur le bouton RESET (RÉARMEMENT).</li> <li>• Si le problème réapparaît, remplacer l'élément chauffant par le modèle de puissance électrique approprié.</li> </ul>
2	Problème de niveau d'eau.	Oui. Le système revient en mode READY (PRÊT) si le problème est disparu au bout d'une heure. 5 tentatives de reprise en 24 heures.	 <ul style="list-style-type: none"> <li>• Débrancher l'humidificateur et enlever le couvercle.</li> <li>• <b>A</b> Débrancher le fil du capteur de niveau d'eau, retirer le tamis et soulever l'attache à charnière à pression.</li> <li>• <b>B</b> Enlever l'ensemble capteur de niveau d'eau.</li> <li>• Nettoyer les sondes du capteur à l'eau chaude savonneuse et mettre le métal à nu.</li> <li>• Réinstaller l'ensemble capteur dans l'appareil; replacer le couvercle et le fixer.</li> <li>• Rebrancher l'appareil et appuyer sur le bouton RESET (RÉARMEMENT).</li> <li>• Si le problème réapparaît, remplacer l'ensemble capteur de niveau d'eau.</li> </ul>
3	Problème de remplissage du réservoir d'eau.	Oui. Le système revient en mode READY (PRÊT) si le problème est disparu au bout d'une heure.	<ul style="list-style-type: none"> <li>• S'assurer qu'il y a alimentation en eau.</li> <li>• Vérifier s'il y a des fuites dans le joint du réservoir ou l'électrovanne.</li> <li>• Fermer l'alimentation en eau et remplacer le filtre du tuyau.</li> <li>• Appuyer sur le bouton RESET (RÉARMEMENT) jusqu'à ce que le voyant CALL SERVICE (APPEL DE SERVICE) s'éteigne.</li> <li>• Si le réservoir ne se remplit toujours pas, appuyer sur le bouton EMPTY (VIDANGE). Si le réservoir ne se vide pas, débrancher l'appareil et s'assurer que l'eau dans le réservoir est froide.</li> <li>• Suivre les instructions de nettoyage décrites à la page 53. S'assurer de bien tenir le réservoir avant de le dégager, surtout s'il est rempli d'eau.</li> <li>• Enlever tous les débris accumulés au bas du réservoir dans l'orifice de l'électrovanne.</li> <li>• Réinstaller le réservoir et brancher l'humidificateur. Appuyer sur le bouton RESET (RÉARMEMENT).</li> <li>• Si le réservoir ne se remplit toujours pas, remplacer l'électrovanne.</li> </ul>
4	Surchauffe de l'élément chauffant	Non.	<ul style="list-style-type: none"> <li>• Suivre les instructions de nettoyage décrites aux pages 53-56.</li> <li>• Réinstaller le réservoir et appuyer sur le bouton RESET (RÉARMEMENT).</li> <li>• Si le problème réapparaît, remplacer l'élément chauffant par le modèle de puissance électrique approprié.</li> </ul>

## DÉPANNAGE

Nombre de clignotements du voyant rouge	Description du problème	Rétablissement possible par le système?	Marche à suivre par un technicien qualifié en CVCA seulement pour régler le problème
5	Tension d'entrée insuffisante	Oui. Le système revient en mode READY (PRÊT) si le problème est disparu au bout d'une heure.	<ul style="list-style-type: none"> <li>• Débrancher l'appareil, puis le rebrancher, et vérifier si l'alimentation est rétablie.</li> <li>• Si le problème réapparaît, débrancher l'appareil et enlever le couvercle.</li> <li>• Vérifier si tous les fils de raccordement sont en bon état et bien fixés.</li> <li>• Si le problème réapparaît, remplacer l'humidificateur TrueSTEAM. Il n'est pas recommandé de réparer l'appareil en cas de perte de la tension secteur.</li> </ul>
6	Trop-plein d'eau	Oui. Le système revient en mode READY (PRÊT) si le problème est disparu au bout d'une heure.	<ul style="list-style-type: none"> <li>• S'assurer que le tuyau d'évacuation n'est pas pincé ni submergé dans le drain. Vérifier le bon fonctionnement de la pompe à condensats, s'il y en a une.</li> <li>• Vérifier si de l'eau sort du tuyau d'évacuation. Si le débit est continu, suivre les instructions de nettoyage décrites aux pages 53 à 56.</li> <li>• Appuyer sur le bouton EMPTY (VIDANGE) pour vider le réservoir.</li> <li>• Régler l'humidistat à la position « Test ».</li> <li>• Si le problème réapparaît, débrancher le TrueSTEAM.</li> <li>• Desserrer la vis du couvercle et enlever le couvercle.</li> <li>• Débrancher la connexion du capteur de niveau d'eau et soulever l'attache à charnière à pression. Enlever l'ensemble capteur de niveau d'eau. Voir l'illustration à la page 47.</li> <li>• Nettoyer les sondes du capteur à l'eau chaude savonneuse et mettre le métal à nu.</li> <li>• Réinstaller l'ensemble capteur dans l'appareil; remettre le couvercle et le fixer.</li> <li>• Rebrancher l'appareil et appuyer sur le bouton RESET (RÉARMEMENT).</li> <li>• Si le problème réapparaît, remplacer l'ensemble capteur de niveau d'eau et/ou l'électrovanne.</li> </ul>
7	Système CVCA non alimenté (détection du problème seulement si DIP 4 et DIP 5 = OFF).	Oui. Le système revient en mode READY (PRÊT) si le problème est disparu au bout d'une heure.	<ul style="list-style-type: none"> <li>• Débrancher l'appareil, puis le rebrancher, et vérifier si l'alimentation est rétablie.</li> <li>• Si non, vérifier l'alimentation du système CVCA. Vérifier le coupe-circuit et remplacer le fusible s'il est grillé.</li> <li>• Débrancher le TrueSTEAM et enlever le couvercle.</li> <li>• S'assurer que DIP 4 = ON et replacer le couvercle.</li> <li>• Si le problème réapparaît, s'assurer que le circuit électrique a les caractéristiques requises pour faire fonctionner l'appareil. Débrancher les appareils supplémentaires alimentés par le même circuit. Si le problème disparaît, cela indique que le circuit n'est pas assez puissant pour faire fonctionner l'appareil.</li> <li>• Si le problème réapparaît, remplacer l'appareil.</li> </ul>



**DÉPANNAGE**

Nombre de clignotements du voyant rouge	Description du problème	Rétablissement possible par le système?	Marche à suivre par un technicien qualifié en CVCA seulement pour régler le problème
8-11	L'entrée du moniteur de protection de soudage de contact est activée mais le relais de protection de l'élément chauffant ne l'est pas.	Non	<ul style="list-style-type: none"> <li>Remplacer l'appareil.</li> </ul>
12	Température du circuit électronique trop élevée.	Oui. Le système revient en mode READY (PRÊT) si le problème est disparu au bout d'une heure.	<ul style="list-style-type: none"> <li>S'assurer que les orifices de ventilation dans le couvercle ne sont pas obstrués et que le dégagement est d'au moins 30 cm (1pi).</li> <li>S'assurer que l'humidificateur est installé à un endroit où l'air se maintient entre 0 °C (32 °F) et 40 °C (104 °F).</li> <li>Arrêter l'humidistat et laisser le temps au circuit électronique de refroidir.</li> <li>Mettre l'humidistat en marche et appuyer sur le bouton RESET (RÉARMEMENT).</li> <li>La demande d'humidification est indiquée par le voyant rouge HUMIDIFYING (HUMIDIFICATION) qui s'allume.</li> <li>Laisser le temps à l'appareil de produire de la vapeur, puis vérifier les fuites de vapeur près du réservoir et des orifices de ventilation.</li> <li>S'il y a des fuites, remplacer l'appareil.</li> </ul>
13	Le réservoir ne se vide pas.	Non	<ul style="list-style-type: none"> <li>L'eau du réservoir pourrait être chaude (&gt;140 °F [60 °C]).</li> <li>Appuyer sur le bouton EMPTY (VIDANGE).</li> <li>Si l'appareil ne se vide pas, attendre que l'eau du réservoir refroidisse. S'assurer que l'eau est froide avant de poursuivre.</li> <li>Une fois l'eau refroidie, nettoyer le réservoir en suivant les instructions décrites aux pages 53 à 56.</li> <li>Réinstaller le réservoir et appuyer sur le bouton RESET (RÉARMEMENT).</li> <li>Si le problème réapparaît, remplacer l'électrovanne.</li> </ul>
14	L'élément chauffant ne réussit pas à faire bouillir l'eau.	Oui. Le système revient en mode READY (PRÊT) si le problème est disparu au bout d'une heure.	<ul style="list-style-type: none"> <li>Suivre les étapes de nettoyage du réservoir (pages 53 à 56).</li> <li>Réinstaller le réservoir et appuyer sur le bouton RESET (RÉARMEMENT).</li> <li>Si le problème réapparaît, remplacer l'élément chauffant par le modèle de puissance électrique approprié.</li> </ul>
15	Absence de débit d'air.	Oui	<ul style="list-style-type: none"> <li>Vérifier si l'interrupteur à pression différentielle est installé et raccordé correctement. Consulter la section Raccordement et s'assurer que l'appareil et le capteur sont bien raccordés.</li> <li>S'assurer que les commutateurs DIP sont bien réglés.</li> <li>Si le problème continue, remplacer le capteur de débit d'air ou l'appareil.</li> </ul>

## CARACTÉRISTIQUES TECHNIQUES

### Capacité :

**HM512** : 45 litres par jour [l/j] (12 gallons par jour [g/j])

**HM509** : 34 l/j (9 g/j)

**HM506** : 23 l/j (6 g/j)

### Aire humidifiée :

Étanchéité de la maison	Renouvellements d'air par heure	HM512	HM509	HM506
Peu étanche	Deux	185 m <sup>2</sup>	120 m <sup>2</sup>	95 m <sup>2</sup>
Moyenne	Un	230 m <sup>2</sup>	170 m <sup>2</sup>	140 m <sup>2</sup>
Étanche	Un-demi	280+ m <sup>2</sup>	230 m <sup>2</sup>	185 m <sup>2</sup>

### Poids :

Modèle	Vide	Rempli d'eau
HM512	4,1 kg (9 lb)	6,8 kg (15 lb)
HM509	4,1 kg (9 lb)	6,6 kg (14,5 lb)
HM506	3,6 kg (8 lb)	5,4 kg (12 lb)

- Dimensions : Larg. 29,8 cm (11 1/4 po); haut. 48,3 cm (19 po); prof. 22,9 cm (9 po)
- Gamme de température de fonctionnement de l'humidificateur : 1,1 °C à 49 °C (34 °F à 120 °F)
- Gamme de température du tuyau de raccordement à distance et de la buse : -46° C à 121 °C (-50 °F à 250 °F)
- Gamme de fonctionnement de l'humidité : 0 % à 95 %, sans condensation

### Fonctionnement du drain

- Il est possible de régler un cycle de vidange automatique toutes les 10, 20 ou 30 heures de temps de fonctionnement (élément chauffant actif).
- Pendant la vidange automatique, de l'eau froide sera ajoutée au réservoir afin de réduire la température à moins de 140 °F (60 °C) avant que la vidange n'ait lieu.
- Aux premières secondes de la vidange manuelle (que l'on effectue en appuyant sur le bouton EMPTY), la température de l'eau atteint parfois plus de 140 °F (60 °C). S'assurer que la sortie du drain n'est pas exposée et procéder avec précautions avant d'appuyer sur le bouton EMPTY. Ne PAS retirer le réservoir s'il contient encore de l'eau.
- Le nettoyage du réservoir peut prendre 15 minutes environ. Pour sauter le cycle de nettoyage, maintenir enfoncé le bouton EMPTY (VIDANGE) lorsque le voyant Clean Tank (Nettoyage du réservoir) (Nettoyer le réservoir) clignote.
- Gamme de température du tuyau d'évacuation : 1,1 °C à 100 °C (34 °F à 212 °F)



### AVERTISSEMENT

L'eau chaude à une température qui dépasse 140 °F (60 °C) peut causer des brûlures par ébullantage.

### Caractéristiques électriques nominales et tolérances

#### Entrées

- Alimentation : 120 V c.a. +10 %, -15 %, 60 Hz
  - HM512 : 1440 W sous 120 V c.a., pleine charge
  - HM509 : 1200 W sous 120 V c.a., pleine charge
  - HM506 : 840 W sous 120 V c.a., pleine charge
- HM512 : 12 A, 120 V c.a.
- HM509 : 10 A, 120 V c.a.
- HM506 : 7 A, 120 V c.a.
- Interrupteur d'asservissement : 15 A, 120 V c.a.
- Moniteur de la tension du thermostat ou du système CVCA (R à C) : 10 mA, résistif, sous 24 V c.a.
- Bornes de raccordement sur place : pleines, de calibre 18 à 22
- Détecteur d'alimentation de l'appareil CVCA et du débit d'air : 10 mA, résistif, sous 24 V c.a.

#### Sorties

- Contacts de sortie à relais
  - Ventilateur : 1,5 A pleine charge, 7,5 A avec rotor bloqué, sous 24 V c.a.
  - Chauffage et chauffage d'appoint : 15 A, résistif, sous 120 V c.a.
- Électrovanne de remplissage : 0,1 A sous 120 V c.a., 0,5 pF
- Électrovanne de vidange : 0,1 A sous 120 V c.a., 0,5 pF
- Charge de l'humidistat (borne de contact) : 10 mA, résistif, sous 24 V c.a.
- Alimentation de l'humidistat : 100 mA sous 24 V c.a.

### Conformité – Normes et organismes d'homologation

Underwriters Laboratories : UL998, dossier numéro E185662.

Federal Communications Commission : conformité aux spécifications de classe B, dossier numéro YU555.

Conçu pour être conforme au National Electrical Code (NEC), aux normes ANSI/NFPA 70 et au Code canadien de l'électricité, première partie, C22.1.

## NETTOYAGE, ENTRETIEN SAISONNIER ET PRÉPARATION POUR ABSENCE PROLONGÉE

L'entretien de l'humidificateur TrueSTEAM est simple à effectuer : il suffit d'enlever le réservoir d'eau et de le nettoyer.



### Avertissement : Danger de brûlures.

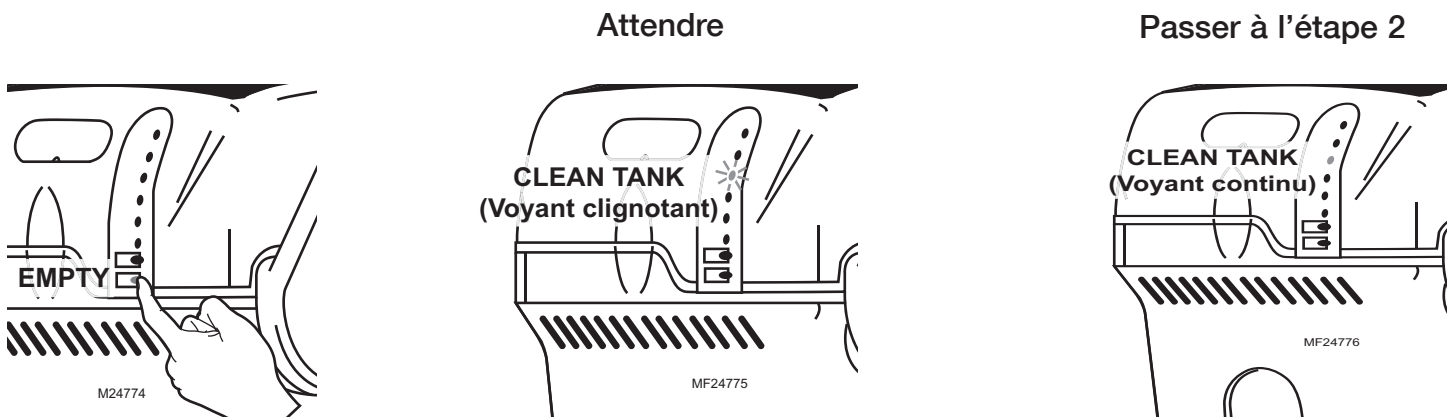
Ne pas essayer de retirer l'humidificateur de ses supports de montage lorsqu'il est en marche. Ne pas enlever le réservoir lorsqu'il est plein d'eau. Le fait de ne pas suivre ces consignes pourrait causer des blessures graves ou la mort.

### Fonctionnement du drain

- Il est possible de régler un cycle de vidange automatique toutes les 10, 20 ou 30 heures de temps de fonctionnement (élément chauffant actif).
- Pendant la vidange automatique, de l'eau froide sera ajoutée au réservoir afin de réduire la température à moins de 140 °F (60 °C) avant que la vidange n'ait lieu.
- Aux premières secondes de la vidange manuelle (que l'on effectue en appuyant sur le bouton EMPTY), la température de l'eau atteint parfois plus de 140 °F (60 °C). S'assurer que la sortie du drain n'est pas exposée et procéder avec précautions avant d'appuyer sur le bouton EMPTY. Ne PAS retirer le réservoir s'il contient encore de l'eau.

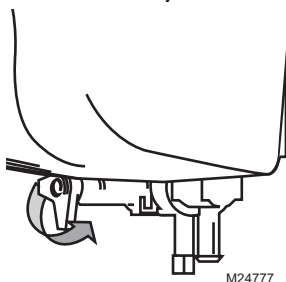
Nettoyage de l'humidificateur TrueSTEAM :

1. Appuyer sur le bouton EMPTY et le maintenir enfoncé pendant 3 secondes. Attendre que le voyant CLEAN TANK (NETTOYER LE RÉSERVOIR) arrête de clignoter. Le nettoyage du réservoir peut prendre 15 minutes environ. Pour sauter le cycle de nettoyage, maintenir enfoncé le bouton EMPTY (VIDANGE) une deuxième fois pendant trois secondes. Le réservoir se vide immédiatement.

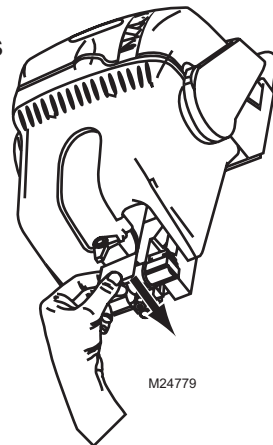


## NETTOYAGE, ENTRETIEN SAISONNIER ET PRÉPARATION POUR ABSENCE PROLONGÉE

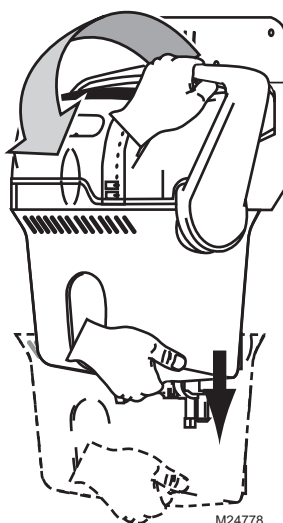
2. Tourner le robinet d'arrêt au bas du réservoir à la position UNLOCK (DÉVERROUILLÉ).



3. Saisir la manette blanche du robinet et la glisser vers l'arrière entre les supports afin de la dégager du réservoir.



4. Saisir fermement le bas du réservoir. Pousser vers le bas le bouton de sécurité du couvercle du réservoir. Tirer la poignée de verrouillage vers l'avant pour dégager le réservoir.

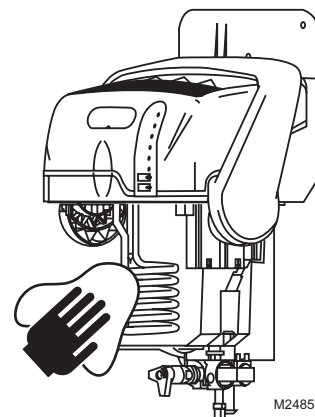
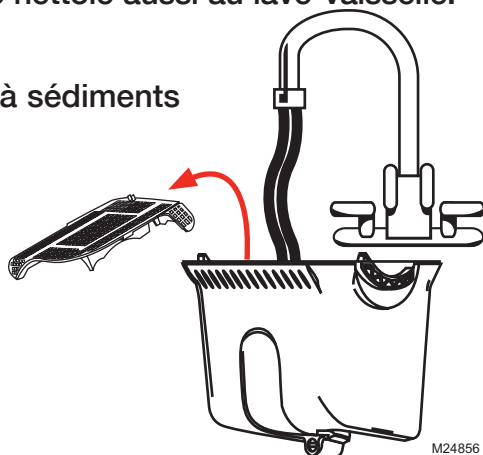


**Remarque :** La poignée de verrouillage n'est pas fixée au réservoir.

5. Utiliser l'eau du robinet pour enlever les dépôts minéraux qui se détachent du réservoir. Le tamis au bas du réservoir est amovible. Pour un bon nettoyage, faire tremper le réservoir dans de l'eau chaude savonneuse, puis bien le rincer. Le réservoir se nettoie aussi au lave-vaisselle.

6. Enlever soigneusement les dépôts minéraux qui recouvrent l'élément chauffant, les parois du réservoir et les capteurs. On peut utiliser des tampons à récurer les casseroles à revêtement antiadhésif pour frotter les parois et les parties internes du réservoir.

Tamis à sédiments



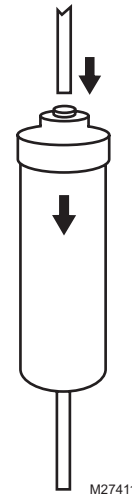
## NETTOYAGE, ENTRETIEN SAISONNIER ET PRÉPARATION POUR ABSENCE PROLONGÉE

7. Remplacer le filtre du tuyau d'eau tous les ans. Couper l'alimentation en eau avant de le remplacer.

Appuyer sur le collet du filtre et retirer le tuyau d'eau de 6 mm (1/4 po) de chaque côté.



Insérer le tuyau de 6 mm (1/4 po) dans le nouveau filtre. Appliquer une légère pression pour assurer l'étanchéité.



Une fois le nettoyage terminé, remettre en place le réservoir et le fixer avec la poignée. Ouvrir le robinet d'arrêt de l'eau. Le voyant PRESS RESET (APPUYER SUR RÉARMEMENT) clignote au démarrage. Appuyer sur le bouton RESET (RÉARMEMENT) pour mettre l'humidificateur en mode READY (PRÊT).

---

## NETTOYAGE, ENTRETIEN SAISONNIER ET PRÉPARATION POUR ABSENCE PROLONGÉE

### Arrêt automatique saisonnier

L'humidificateur TrueSTEAM est doté d'un système « intelligent » qui lui permet de s'arrêter complètement quand la demande d'humidité cesse pendant une période prolongée. Après 48 heures d'inactivité, l'humidificateur commande la vidange du réservoir d'eau, qui demeure vide jusqu'au moment d'une nouvelle demande d'humidité. L'eau ne peut donc stagner dans le réservoir. Le réservoir se remplira d'eau au moment de la prochaine demande d'humidification.

Pour un rendement optimal du TrueSTEAM, il est important de suivre certaines étapes de nettoyage :

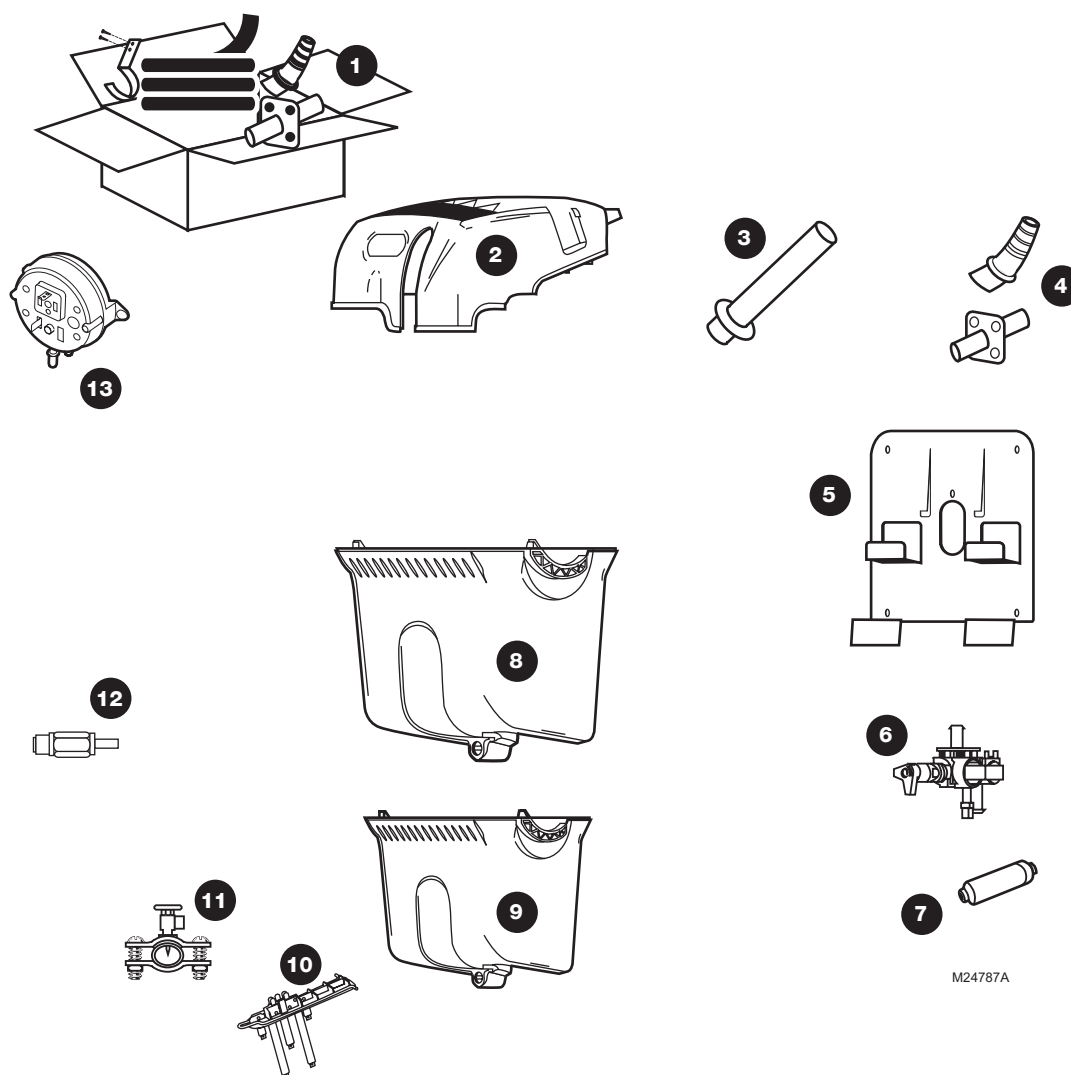
1. Suivre les étapes 1 à 6 décrites à la section Nettoyage (page 53) quand le voyant PRESS EMPTY (APPUYER SUR VIDANGE) clignote ou, au moins, une fois par année.
2. Dégager les orifices de ventilation dans le couvercle de l'humidificateur.
3. Nettoyer le tuyau de vidange.
4. S'assurer que le joint d'étanchéité du réservoir n'est pas fendillé ou coupé avant de réinstaller le réservoir.
5. S'assurer que l'humidificateur est toujours de niveau.

### Absence prolongée

Avant de quitter pour une longue période, il est recommandé de couper l'alimentation en eau de l'humidificateur et de fermer le régulateur d'humidité. Au retour, ouvrir l'alimentation en eau et régler le régulateur d'humidité au niveau de confort souhaité.

**NOMENCLATURE DES PIÈCES**

Pièce	Numéro	Référence dans la figure
Ensemble tuyau de raccordement de 3 m (10 pi) et buse	50024917-001	1
Ensemble tuyau de raccordement de 6 m (20 pi) et buse	50024917-002	1
Couvercle	50028004-001	2
Buse d'injection de l'humidificateur dans la gaine	50028003-001	3
Buses à distance	50028001-001	4
Support de montage	50020012-001	5
Électrovanne	50027997-001	6
Filtre de tuyau à eau	50028044-001	7
Réservoir à eau pour les modèles HM512 et HM509	50033181-001	8
Réservoir à eau pour le modèle HM506	50033182-001	9
Ensemble capteur de niveau d'eau	50027998-001	10
Robinet-vanne à étrier	32001616-001	11
Vanne à eau anti-refoulement	50030142-001	12
Interrupteur à pression différentielle	50027910-001	13



**Solutions de régulation et d'automatisation**

Honeywell International Inc.      Honeywell Limited-Honeywell Limitée  
1985 Douglas Drive North      35 Dynamic Drive  
Golden Valley, MN 55422      Toronto, Ontario M1V 4Z9  
<http://yourhome.honeywell.com>

**Honeywell**





## TrueSTEAM

Tan fácil como 1-2-3-4

GUÍA DE INSTALACIÓN PROFESIONAL

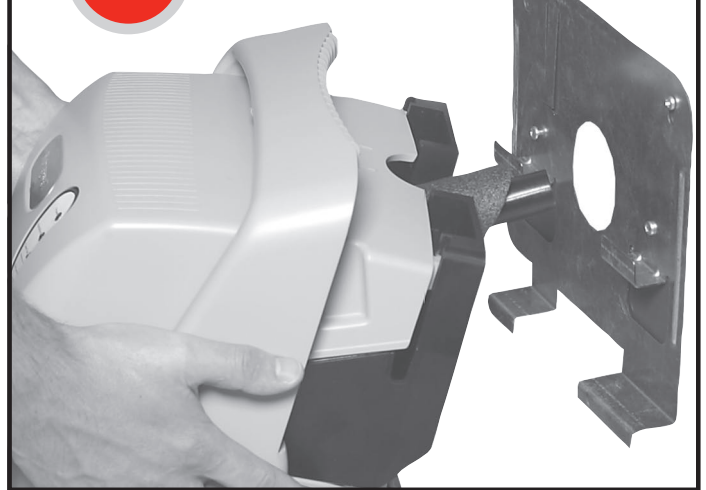
**1**

**Montaje**



**2**

**Colgado**



**3**

**Plomería**



**4**

**Cableado**



¡Consulte el interior para obtener instrucciones detalladas y opciones de montaje remoto!

## ÍNDICE

Recomendaciones para la instalación .....	61
Lista de herramientas/artículos .....	63
Precauciones de seguridad .....	64
<b>Instrucciones para el montaje del conducto</b>	
Instalación.....	65
<b>Instrucciones para el montaje remoto</b>	
Instalación.....	67
<b>Plomería y cableado</b>	
Plomería .....	73
Cableado.....	74
Selección del interruptor DIP.....	78
Solución de problemas .....	79
Limpieza y mantenimiento estacional o durante las vacaciones .....	83
<b>Información adicional</b>	
Lista de piezas.....	87

### ¿Necesita ayuda?

Para obtener ayuda sobre este producto, visite <http://yourhome.honeywell.com> o llame de manera gratuita al Servicio al cliente de Honeywell al **1-800-468-1502**

## Lea y guarde estas instrucciones.

® Marca registrada de los EE. UU.  
Patentes en trámite.

Copyright © 2007 Honeywell International Inc. Todos los derechos reservados.

## RECOMENDACIONES PARA LA INSTALACIÓN

Cerchiórese de que sus instalaciones TrueSTEAM queden precisas y eficaces tomando en cuenta estas preguntas que se formulan generalmente:

### Clasificación según las dimensiones del trabajo

1. Seleccionar el humidificador adecuado para el trabajo es crucial:

El cuadro siguiente ilustra la área en pies cuadrados que puede cubrir el humidificador TrueSTEAM. No se recomienda instalar un dispositivo de 6 galones en una vivienda de más de 2000 pies cuadrados.

Pies cuadrados de espacio	500	1000	1500	2000	2500	3000
ARI* Salida recomendada (GPD)	0.1	2.2	4.4	6.5	8.6	11.7
TrueSTEAM HM512 - 12 Galones reales						
TrueSTEAM HM509 - 9 Galones reales						
TrueSTEAM HM506 - 6 Galones reales						

\* Pauta ARI F-2007 para mantener 35% RH en una vivienda residencial hermética, para cuatro personas con techos de 8 pies. Condiciones externas = 20°F y 70% RH.

### Lista de comprobación para la instalación

- Instale el filtro de agua en la tubería y la válvula antireflujo.
- Compruebe que la tubería de suministro principal de agua esté abierta.
- Cerchiórese de que no haya fugas/goteo en ninguna de las conexiones de agua.
- Enchufe a un circuito con al menos suficiente capacidad para alimentar la unidad.
- Genere una demanda de humedad del control y verifique que TrueSTEAM se llena y que la luz Humidify (humidificar) se enciende, indicando que se está generando vapor.
- Examine el drenaje presionando el botón EMPTY (vaciar) hasta que la luz Clean Tank (limpiar tanque) comience a destellar, indicando que el ciclo de drenaje ha comenzado.

**NOTA:** Es posible que tome aproximadamente 10 minutos para que el tanque descargue y drene completamente. PARA DESVIAR Y DRENAR INMEDIATAMENTE, Presione y sostenga el botón EMPTY (vaciar) de nuevo mientras la luz Clean Tank (limpiar tanque) esté destellando. Esto desviará la descarga y drenará inmediatamente el tanque. PARA DETENER el drenaje, presione el botón Reset (reiniciar).

- Coloque la etiqueta amarilla incluida de servicio para el tanque en el conducto/pared cercano a la unidad. Compruebe que la manguera de desagüe esté bien asegurada para evitar la desconexión accidental. Verifique que la manguera esté conectada a un desagüe/conducto de condensación para evitar que el agua salga a borbotones.

## RECOMENDACIONES PARA LA INSTALACIÓN

### **Expectativas del propietario para la experiencia TrueSTEAM:**

Es posible que tome hasta una semana de operación continua lograr el punto de referencia de humedad, dependiendo del clima, tamaño de la vivienda, mobiliario, aislante, etc.

Si se utiliza una unidad de seis (6) galones, el punto de referencia más adecuado es 30-35% o hasta que haya condensación en las ventanas, luego baje el punto de referencia (si no se encuentra en la modalidad de protección contra congelamiento). Si no puede alcanzar el punto de referencia en la vivienda, la unidad puede que esté por debajo del tamaño requerido (si la vivienda tiene menos de 2000 pies cuadrados, esto también puede deberse al aislante, ventanas, clima árido, etc.) o la temperatura exterior puede estar demasiado baja para mantener los niveles de humedad adecuados. Honeywell recomienda esperar que la temperatura modere cercana a los 20°F (-6°C).

Si esto ocurre y los niveles de humedad elegidos no se logran, es posible que se necesite un modelo con mayor capacidad.

Para la primera semana de funcionamiento, es normal experimentar un ligero olor a plástico en la vivienda, dependiendo de la cantidad de ventilación que se suministre. Si se utiliza la manguera remota, puede que exista un ligero olor a caucho. Estos olores se disiparán a los pocos días de la instalación.

Si el propietario observa que TrueSTEAM no está humidificando pero hay una demanda de humedad, es probable que la unidad esté operando en la modalidad de ciclo de drenaje. Pida al propietario que verifique de nuevo en una hora si le preocupa que el dispositivo no esté funcionando.

Si la luz Call Service (llamar servicio técnico) está intermitente, instruya al propietario que presione y sostenga el botón Reset (reiniciar) para borrar la condición de falla. Si la falla no se borra, desenchufe la energía hacia TrueSTEAM y enchúfela de nuevo en el tomacorriente. Espere 24 horas antes de llamar a un contratista. La luz de demanda de servicio puede estar intermitente debido a bajo voltaje en el área y se reiniciará para que funcione correctamente cuando se restituya la energía completamente.

Puede haber un ligero aumento en el consumo de energía del propietario. Sin embargo, cuando opera adecuadamente, TrueSTEAM hará que la vivienda se sienta más cálida, permitiendo al propietario disminuir la temperatura del termostato. Cada grado que disminuya en el termostato puede ahorrar hasta 3% de costo de calefacción.

## LO QUE NECESITA PARA INSTALAR TRUESTEAM

### Herramientas/aditamentos necesarios:

- Alicates o cortadores de cables
- Taladro o herramienta cortante para conductos
- Broca corta círculos de 1-3/4 pulgadas
- Broca para taladro de 1/8 de pulgada
- Destornillador ranurado (o Torx) y Phillips
- Cable de termostato calibre 18 (conductor 5 ó 2)



### Material que se suministra:

- Tubería de agua de plástico o cobre de 1/4 de pulgada (6,4 mm)
- Manguera de desagüe de 1/2 pulgada (1,3 cm) y abrazaderas
- Soporte y herrajes de montaje
- Filtro de agua en línea\* (50028044-001)
- Válvula de silla
- Válvula para reflujo (50030142-001)

### Opciones:

- Equipos de instalación remota
  - Juego de manguera de 10 pies (3 m) y boquillas (50024917-001)
  - Juego de manguera de 10 pies (3 m) y boquillas (50024917-002))
- Controles de humedad
  - Humidistato manual (H8908ASPST)
  - TrueIAQ (DG115EZIAQ)
  - VisionPRO IAQ (YTH9421C1010)
- Conector en T para tubería de agua
- Válvula de cierre manual
- Colector en P para manguera remota
- Kit adaptador del panel del conducto de montaje remoto (32005530-001)
- Interruptor de presión diferencial (50027910-001)

## PRECAUCIONES DE SEGURIDAD



### **PRECAUCIÓN: peligro de voltaje.**

Puede causar una descarga eléctrica o daños al equipo.

Desconecte el equipo de HVAC antes de comenzar la instalación.

### **Precauciones de seguridad**

- No coloque la boquilla de vapor en dirección a las personas.
- Si se utiliza cerca de una piscina o bañera de hidromasaje, asegúrese de que el TrueSTEAM no pueda caer dentro del agua ni reciba salpicaduras. También asegúrese de que el TrueSTEAM esté conectado a un tomacorriente con interruptor de circuito por falla a tierra (GFI, por sus siglas en inglés).
- El agua que contiene el tanque puede estar muy caliente. Siga las instrucciones de instalación y los pasos para el servicio exactamente como se especifican en la literatura técnica.

### **Advertencia: riesgos de electrocución, equipo pesado y de sustancias químicas.**



Puede causar muerte, ceguera, daños al hogar causados por el agua y fallas en elementos de calor.

- No toque ninguna tubería del aire acondicionado ni línea eléctrica

- Utilice gafas de seguridad para cortar o taladrar.
- Monte el humidificador en una posición nivelada para evitar daños ocasionados por el agua o fallas en elementos de calor.
- Refuerce el conducto según sea necesario para asegurar la estabilidad.

La ubicación recomendada para la instalación es en el lado caliente o del suministro del sistema de calefacción. Si no es posible instalarlo en esa ubicación, la boquilla de vapor debe instalarse al menos 12 pulgadas (30,5 cm) por encima del filtro del sistema de calefacción. Puede ser necesario reforzar más el conducto según su rigidez y la ubicación del humidificador.

### **Advertencia: riesgos de condensación de vapor, incendio y congelamiento de agua.**



Puede causar fallas del ventilador o control de límites o puede provocar daños al hogar ocasionados por el agua.

- No instale el humidificador donde la temperatura ambiente sea menor a 32°F (0°C) o mayor a 120°F (49°C).

- No instale el humidificador a través de paredes laterales de un conducto de retorno de aire de madera (por ejemplo, viguetas para piso).
- El área de montaje debe ser lo suficientemente fuerte como para soportar el peso del humidificador cuando está lleno de agua (aproximadamente de 12 a 15 libras [de 5,4 a 6,8 kg]) y para mantener el humidificador en una posición nivelada para un funcionamiento confiable y duradero. De lo contrario, se necesitará un conducto adicional o un refuerzo para pared.
- Si los conductos tienen materiales aislados expuestos en su interior, asegúrese de que la boquilla se extienda más allá del aislamiento retirando el exceso de aislamiento en el punto de inserción. Es posible que desee reemplazar una parte de un conducto aislado [aproximadamente 6 x 6 pulgadas (15,2 cm x 15,2 cm)] por lámina de metal sin aislamiento para asegurar una instalación efectiva.
- Monte la unidad donde reciba un flujo de aire suave en el extremo de la boquilla de vapor.
- Deje al menos 1 pie (30,5 cm) de distancia para los orificios de ventilación de la cubierta del humidificador. No cubra estos orificios. Si lo hace, puede aumentar la temperatura de funcionamiento interior del humidificador y acortar su vida útil.
- Deje al menos 4 pulgadas (10,2 cm) de distancia entre el orificio de inserción de la boquilla de vapor y la parte superior del conducto interior para evitar la formación de condensación. La plantilla de montaje está diseñada para permitir una distancia si la parte superior de la plantilla se encuentra por encima o por debajo del conducto interior.
- No realice el montaje directamente en el panel del conducto. Se permite únicamente el montaje remoto del accesorio con boquilla cuando se utilice un kit adaptador de panel de conducto (pieza No. 32005530-001).
- No instale en espacios completamente cerrados como un gabinete o un armario sin ventilación. Elija una ubicación que esté bien ventilada.



Si está instalando el humidificador directamente al conducto de suministro, siga los pasos de las páginas 55-56 y 63-68. Si está realizando un montaje remoto, siga los pasos de las páginas 57-68.

## INSTRUCCIONES PARA EL MONTAJE DEL CONDUCTO

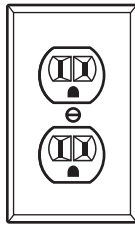
**1**

Elija una ubicación que tenga acceso a:

- Un desagüe que permite una pendiente de 1/4 de pulgada (6,4 mm) por pie (30,5 cm) de manguera de drenaje.
- Una tubería de agua fría.
- Un circuito eléctrico calificado para su humidificador.
- Una superficie vertical con las distancias adecuadas.



Pendiente continua descendente



M24745

El agua que drena podría estar caliente. Verifique que la salida de drenaje no quede expuesta.

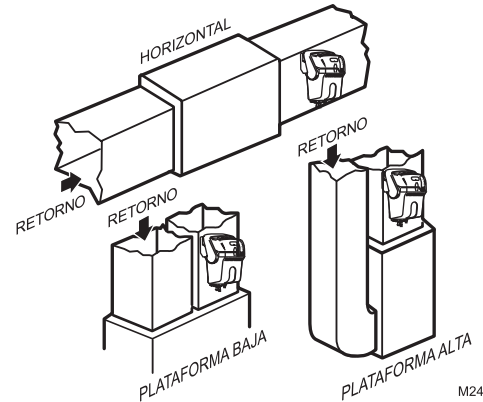


M24744



### PRECAUCIÓN

Cuando la temperatura del agua excede de 120°F (49°C) puede producir quemaduras.



M24914

### Capacidad mínima requerida del circuito

#### Modelo

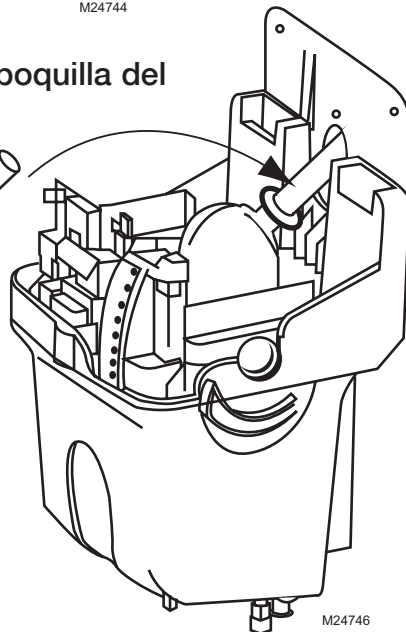
HM506	7 Amp
HM509	10 Amp
HM512	12 Amp

**2**

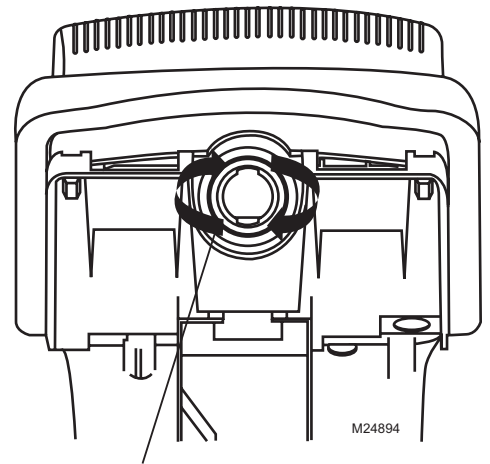
Instale la boquilla del conducto



Asegúrese de que la junta tórica esté bien asentada en la ranura.



M24746



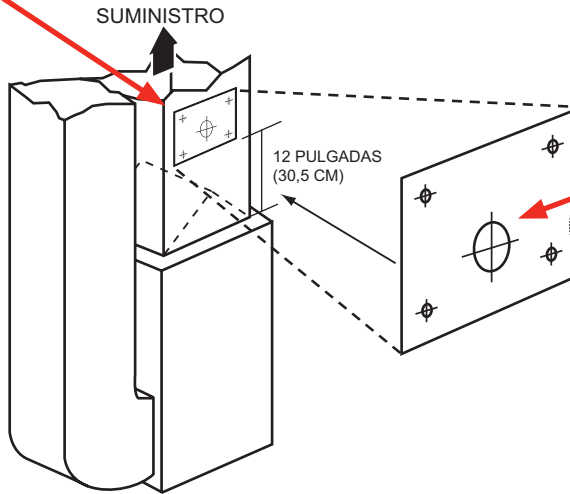
M24894

Introduzca la boquilla y gire en sentido horario para asegurar un sellado hermético de la boquilla con el TrueSTREAM.

## INSTRUCCIONES PARA EL MONTAJE DEL CONDUCTO

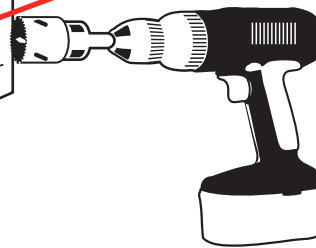
3

Coloque la pegatina de la plantilla en el conducto del suministro. Para bobinas alargadas que no tengan esta distancia disponible, consulte las instrucciones para el montaje remoto.



4

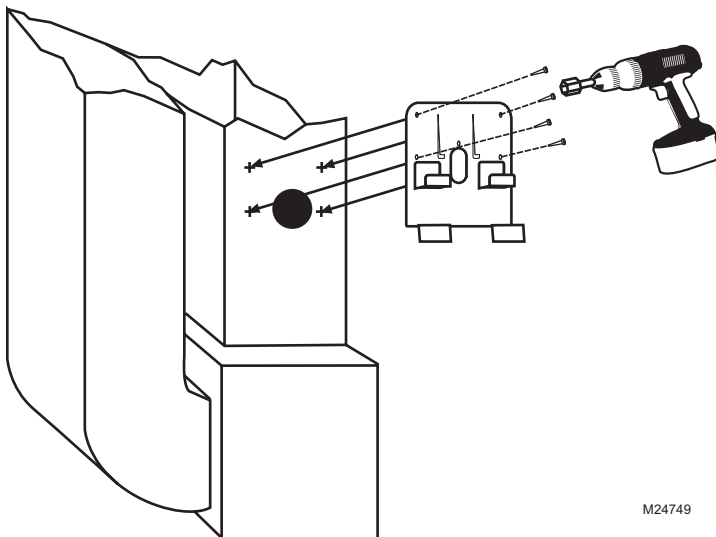
Taladre un orificio de 1-3/4 pulgadas (4,4 cm).



MS24748

5

Asegure el soporte al conducto utilizando tornillos autotaladrantes No. 8 para lámina de metal (4).

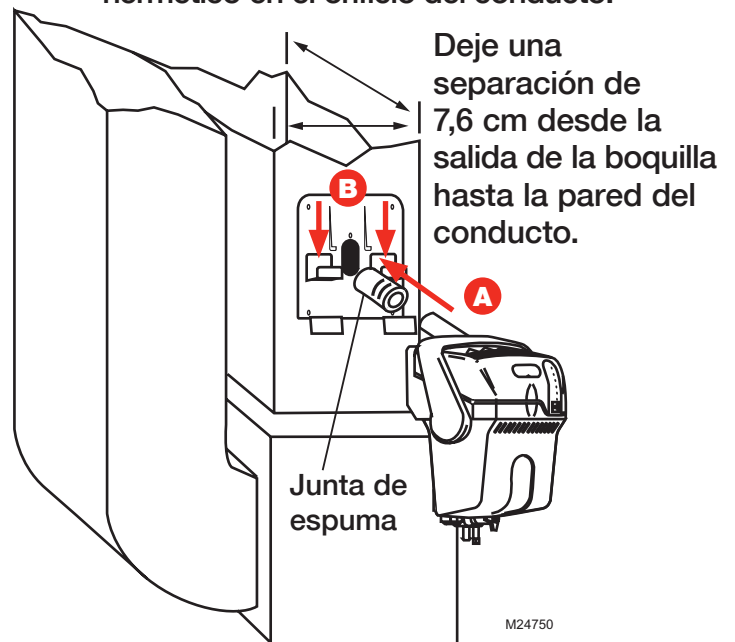


M24749

6

A) Deslice la junta de espuma sobre la boquilla e inserte la boquilla dentro del orificio del conducto (ilustrado).

B) Empuje hacia abajo para fijar el humidificador a los brazos de soporte. Asegúrese de que la junta forme un sellado hermético en el orificio del conducto.



M24750

Proceda con la página 63 para obtener instrucciones sobre plomería y cableado.



## INSTALACIÓN PARA EL MONTAJE REMOTO

Se utilizan para el montaje en ubicaciones que no sean el conducto del suministro.

La mayoría de los problemas de funcionamiento se deben a una instalación incorrecta de la manguera. Siempre asegúrese de que el flujo vaya hacia arriba cuando instale la manguera remota y evite que se enrosque, gire bruscamente o se encuentre en áreas bajas que puedan restringir el flujo de vapor hacia el interior de la boquilla de inyección o la condensación nuevamente hacia el interior del humidificador.

Si no se puede instalar la manguera remota con una pendiente ascendente de 2 pulgadas (5,1 cm)/pie (30,5 cm), se debe instalar una T de goteo. Si no lo hace, puede provocar contrapresión en el TrueSTEAM, lo que puede llevar a pérdidas de agua por la boquilla del conducto o a filtraciones por la junta. La manguera remota debe estar sostenida para evitar que se pandee o que se encuentre en áreas bajas.

**Cuando efectúe un montaje remoto, también siga estos pasos cruciales para dimensionar el TrueSTEAM adecuado:**

Si el tubo de distribución del vapor va hacia un espacio de aire sin acondicionar (por ejemplo, un ático), coloque aislante en el tubo para asegurar la salida eficaz del vapor:

- Honeywell recomienda aislante de tubo autosellante para tubos de agua caliente y fría. Insul-Tube para pared de 1-1/8 in. ID x 1/2 in. 25/50 Factory Mutual 062411, con adición de retardador de llamas.

El modelo de 6 galones (HM506) puede montarse de forma remota hasta a:

- 5 pies sin aislante en el tubo de distribución del vapor
- 15 pies si utiliza aislante en el tubo de distribución del vapor

Los modelos de 9 y 12 galones (HM509 y HM512) pueden montarse de forma remota hasta a 20 pies con o sin aislante en el tubo de distribución de vapor.

Asegure al menos 2 in. de pendiente por pie si instala la manguera remota de forma horizontal.

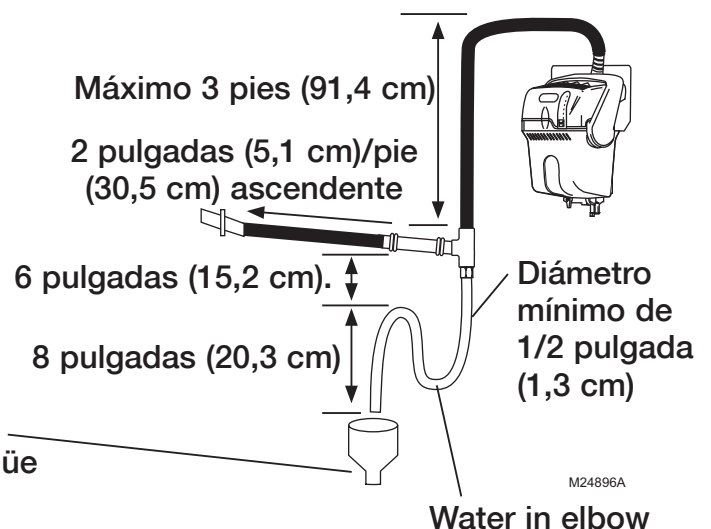
**1**

Elija una ubicación para el TrueSTEAM y para la boquilla del conducto remoto (consulte la instalación remota en las páginas 58-59).

Debe tener acceso a:

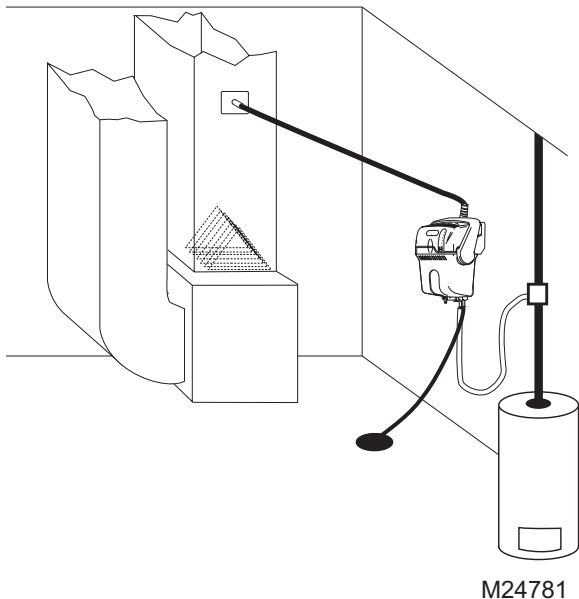
- Una instalación remota de la manguera. La manguera de vapor debe estar instalada con una pendiente de 2 pulgadas (5,1 cm)/pie (30,5 cm) en una pendiente continua ascendente.
- Un desagüe. Deje una pendiente continua descendente al desagüe.
- Una tubería de agua fría.
- Un circuito eléctrico calificado para su humidificador (observe los valores nominales de los circuitos en la página 60).

Embudo o desagüe de piso. Consulte los códigos que rigen para el tamaño de las tuberías de desagüe y los requisitos de temperatura máxima.



## INSTALACIÓN CORRECTA DE LA MANGUERA

### Instalación remota en sistemas de calefacción o en habitaciones para máquinas



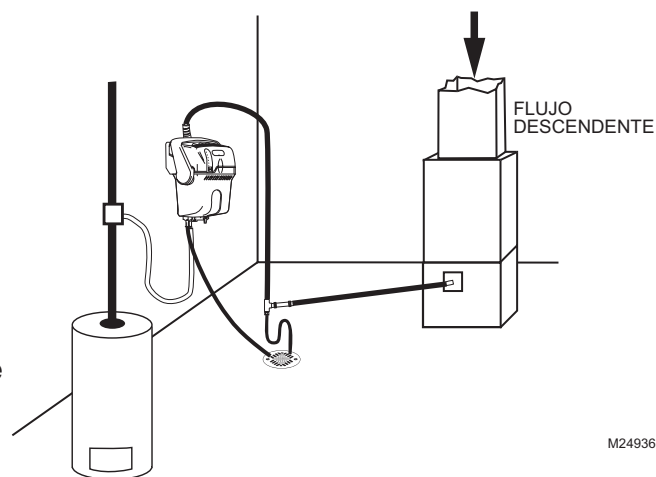
**Nota:** si la temperatura del lugar en el que se encuentra la unidad de acondicionamiento de aire disminuye por debajo del punto de congelamiento, el TrueSTEAM debe instalarse en un espacio acondicionado, conectando una manguera remota al conducto.



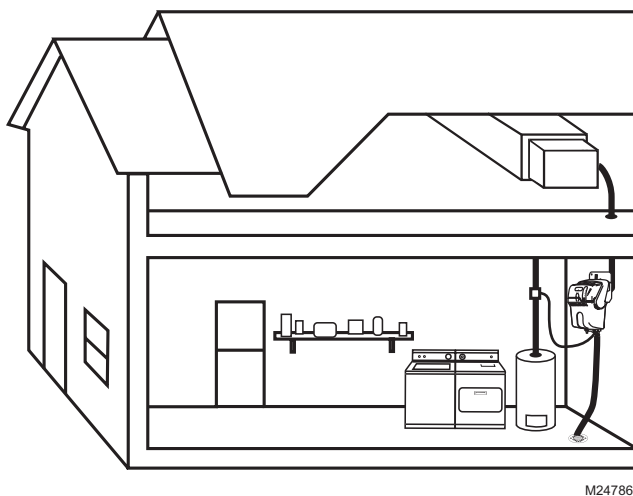
#### PRECAUCIÓN

Cuando la temperatura del agua excede de 120°F (49°C) puede producir quemaduras.

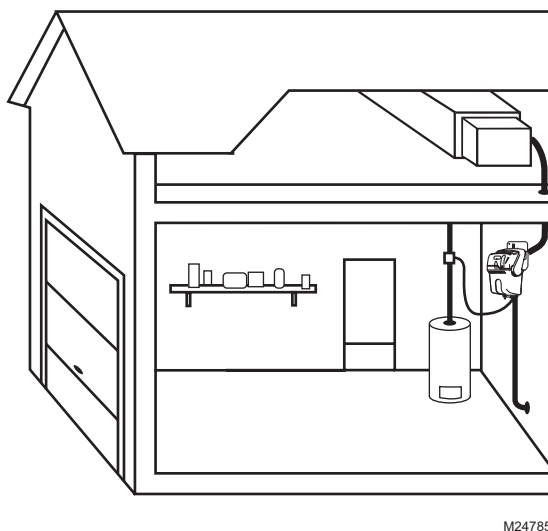
### Instalación remota del montaje del conducto



### Opciones de instalación remota en la zona habitable

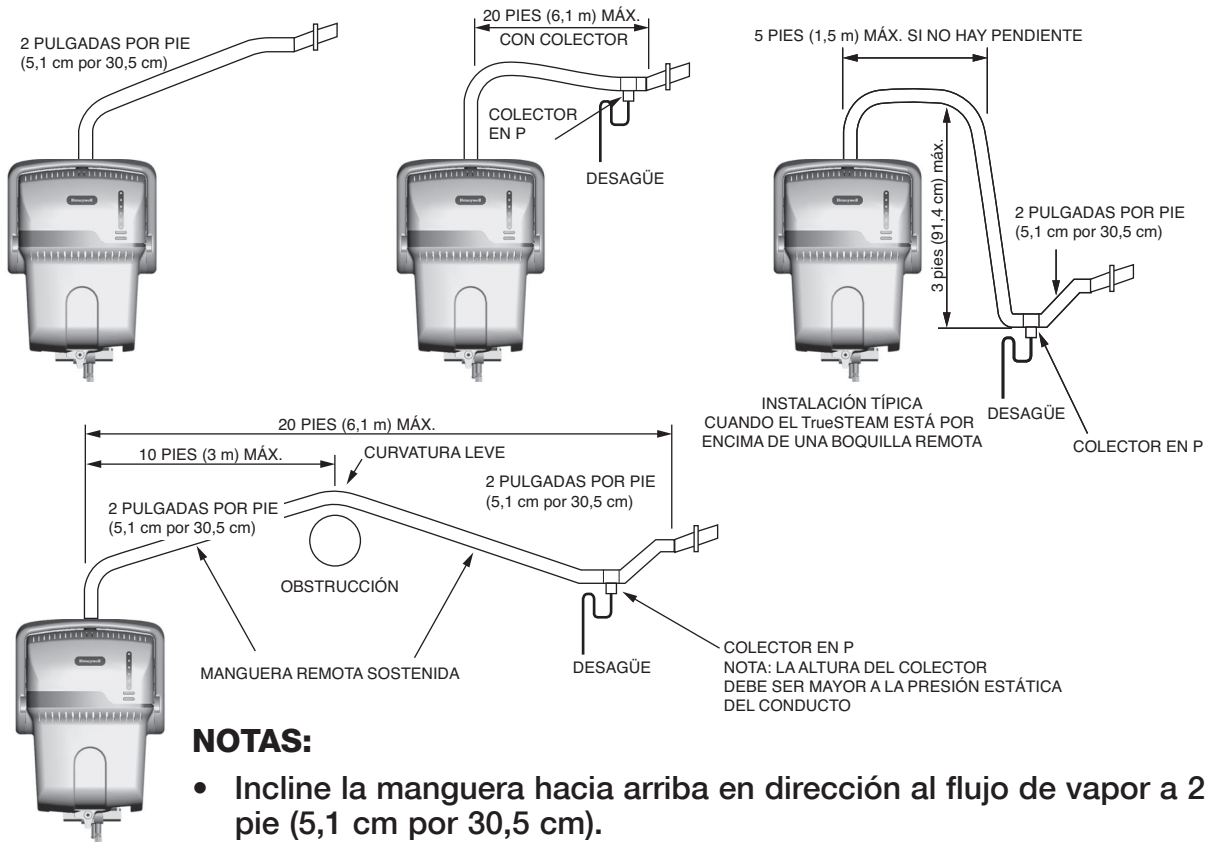


### Instalación remota en el garaje



El agua que drena podría estar caliente. Verifique que la salida de drenaje no quede expuesta.

## INSTALACIÓN CORRECTA DE LA MANGUERA



### NOTAS:

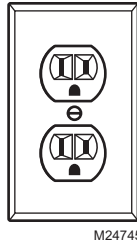
- Incline la manguera hacia arriba en dirección al flujo de vapor a 2 pulgadas por pie (5,1 cm por 30,5 cm).
- Incline la manguera hacia abajo en dirección al flujo de vapor a 3/4 de pulgada por pie (1,9 cm por 30,5 cm).
- El largo máximo de la manguera remota de vapor es de 20 pies (6,1 m).
- La altura de los colectores en P debe ser mayor a la presión estática del conducto. (Generalmente, 3 pulgadas (7,6 cm) serán suficiente). El colector en P deberá también llevar una T de goteo (Vea la página 67.)
- Minimice curvaturas y codos pronunciados.
- Aislar la manguera remota en espacios no acondicionados preservará mejor su eficiencia.

### EVITE ESTOS ERRORES DE INSTALACIÓN.



MS24915

## INSTALACIÓN PARA EL MONTAJE REMOTO



Modelo	Capacidad mínima del circuito
HM506	7 Amp
HM509	10 Amp
HM512	12 Amp

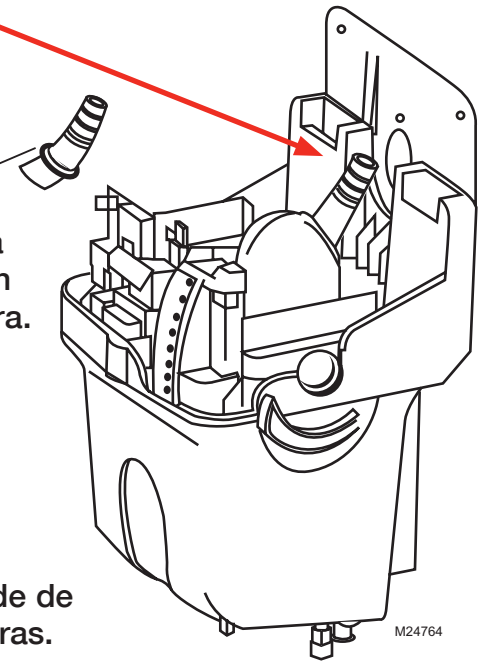
**2** Instale el adaptador de manguera del juego para el montaje remoto.

El agua que drena podría estar caliente. Verifique que la salida de drenaje no quede expuesta.

Flujo descendente continuo



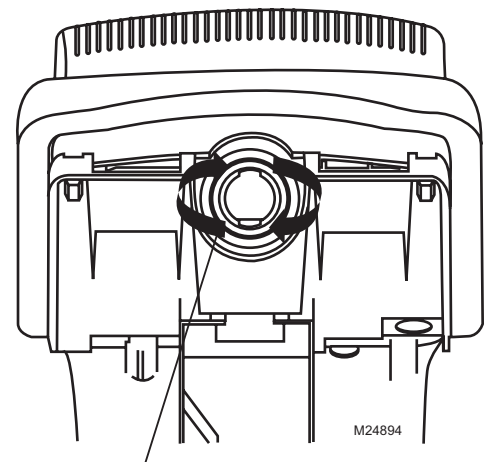
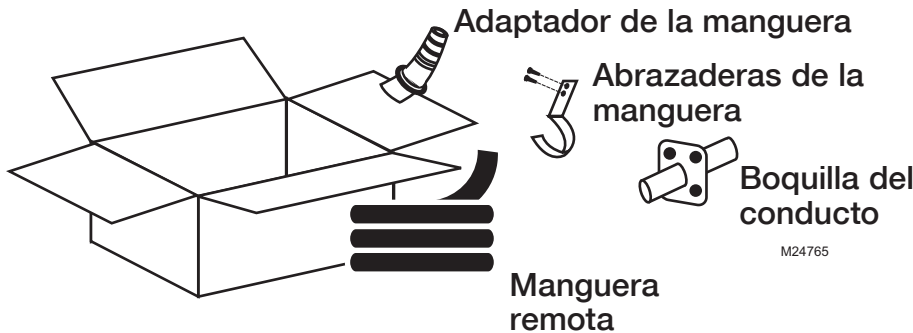
Asegúrese de que la junta tórica esté bien asentada en la ranura.



### PRECAUCIÓN

Cuando la temperatura del agua excede de 120°F (49°C) puede producir quemaduras.

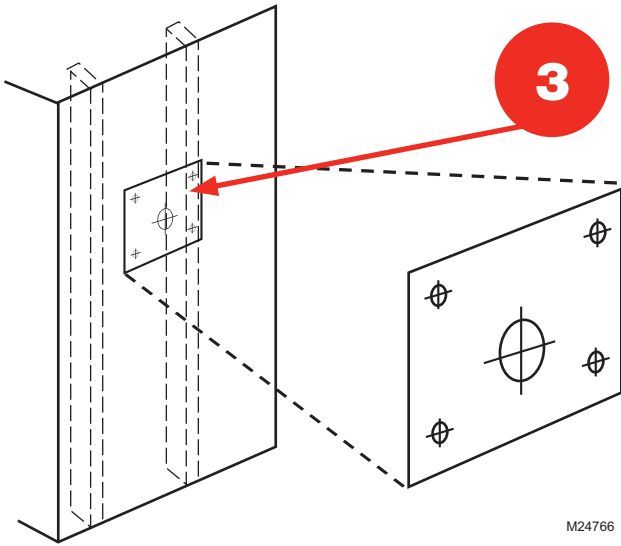
### Juego para el montaje remoto (se vende por separado)



- 50024917-001 = Kit de manguera de 10 pies
- 50024917-002 = Kit de manguera de 20 pies

Introduzca el adaptador de manguera y gire en sentido horario para asegurar un sellado hermético de la boquilla con el TrueSTREAM.

## INSTALACIÓN PARA EL MONTAJE REMOTO

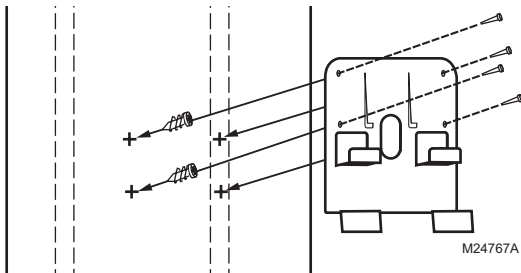


Coloque la pegatina de la plantilla en la ubicación remota.

**Nota:** el TrueSTEAM tendrá un peso de 12–15 libras (+/- 2 libras) [5,4-6,8 kg (+/-0,9 kg)] cuando contenga agua, por lo tanto, si está realizando el montaje en paneles de yeso o yeso, coloque un lado sobre un montante de pared.

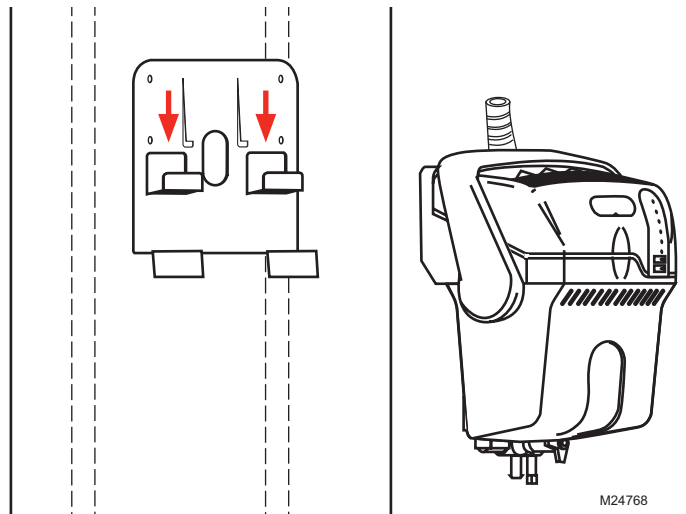
4

Inserte tarugos de pared (4) en los orificios guía y asegure el soporte a la ubicación.



5

Empuje hacia abajo para fijar el TrueSTEAM a los brazos de soporte.



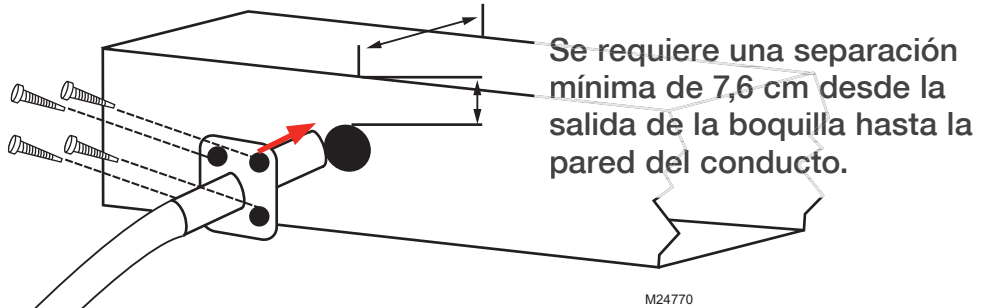
## INSTALACIÓN PARA EL MONTAJE REMOTO

6

Corte un orificio de 1-3/4 pulgadas (4,4 cm) de diámetro en el conducto, instale la junta incluida y deslice la boquilla remota hacia arriba y dentro del conducto. Asegure la boquilla remota al conducto utilizando tornillos autotaladrantes No.8 para lámina de metal (4).

7

Tienda la manguera remota desde el humidificador hasta la ubicación de la boquilla remota. Se pueden utilizar hasta 20 pies (6,1 m) de manguera.



Si está realizando un montaje remoto y necesita tender la manguera a través de barreras estructurales (como, paredes o techos), haga un orificio de al menos 1-3/4 pulgadas (4,4 cm) y deslice la manguera a través de éste.

8

Selle los espacios no acondicionados con una arandela aislante (no incluida) o con masilla.

9

Coloque la manguera remota deslizándola sobre la boquilla y el adaptador. Asegure ambos extremos con las abrazaderas (incluidas).

### IMPORTANTE:

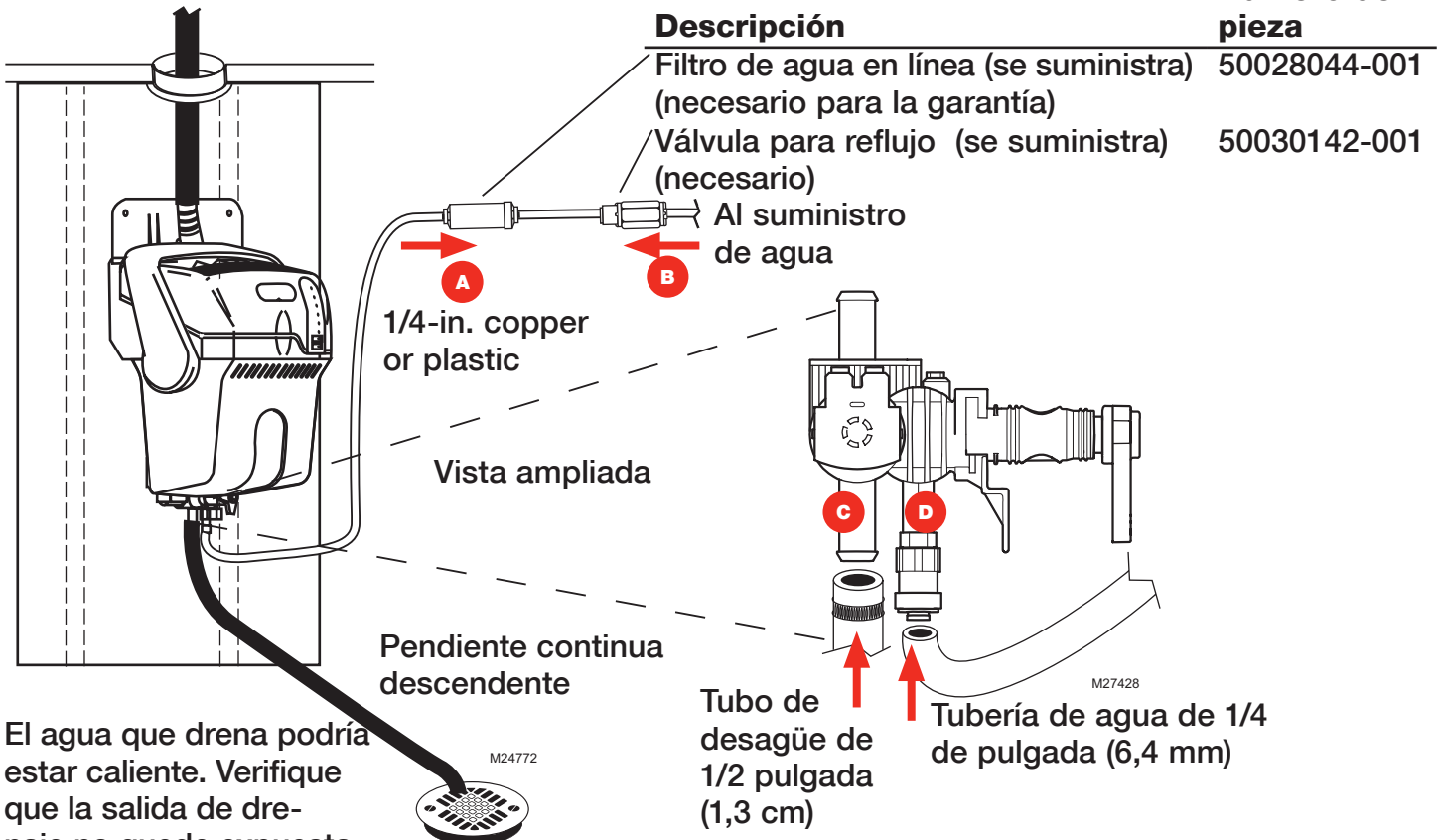
Coloque la manguera siempre ascendente. Para los tramos horizontales, asegúrese de que haya una pendiente ascendente de 2 pulgadas (5,1 cm) por pie (30,5 cm). Asegure la manguera por cada pie (30 cm) horizontal utilizando las abrazaderas (incluidas). Para los tramos horizontales extensos, apoye la manguera colocando primero una madera de 2 x 4 pulgadas (5,1 x 10,2 cm) de largo, un canal en U o un hierro angular con la pendiente adecuada. Luego, coloque la manguera en la parte superior de este soporte. Si la manguera remota requiere una pendiente descendente, consulte las páginas 57 y 59 para obtener más instrucciones.



**PLOMERÍA**

**10**

- A** Inserte una tubería de agua de 1/4 in. en el filtro. Aplique una presión moderada para lograr un ajuste ceñido.
- B** Inserte una tubería de agua de 1/4 in. en la válvula para reflujo. Aplique una presión moderada para lograr un ajuste ceñido.
- C** Conecte un tubo de desagüe de 1/2 pulgada (1,3 cm). Asegure el tubo de desagüe al accesorio dentado con la abrazadera de la manguera.
- D** Cierre el suministro de agua. Asegure el tubo de alimentación de agua de plástico o cobre de 1/4 de pulgada (6,4 mm).

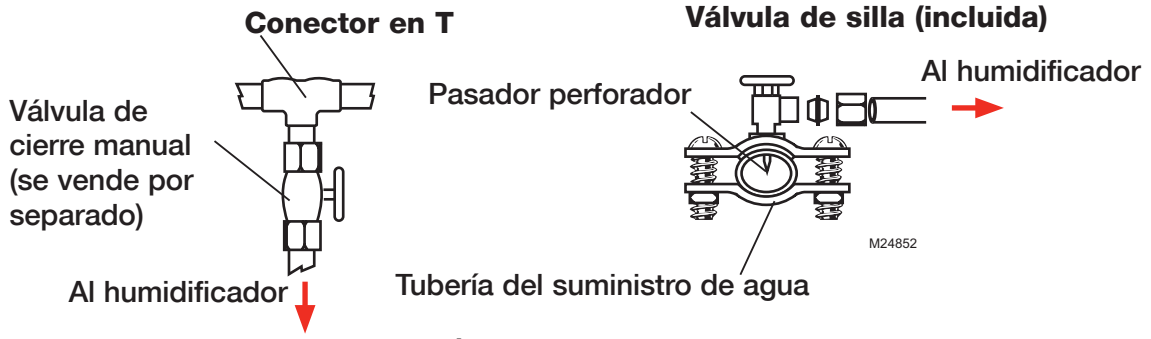


El agua que drena podría estar caliente. Verifique que la salida de drenaje no quede expuesta. Compruebe que el drenaje o la bomba de condensación estén clasificados para agua a 120°F por lo menos.



**PRECAUCIÓN**  
 Cuando la temperatura del agua excede de 120°F (49°C) puede producir quemaduras.

Opciones de toma de la tubería de agua. Vea las instrucciones incluidas con la opción que elija.



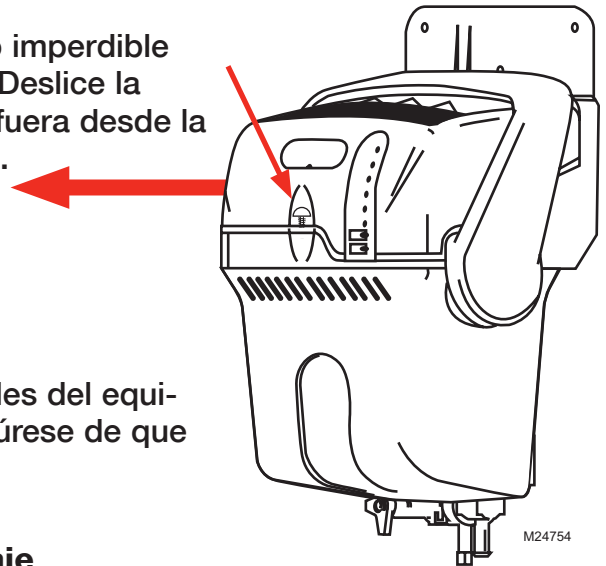
Revise todas las conexiones de la tubería de agua para comprobar que no existan fugas una vez que TrueSTEAM esté funcional.



## CABLEADO

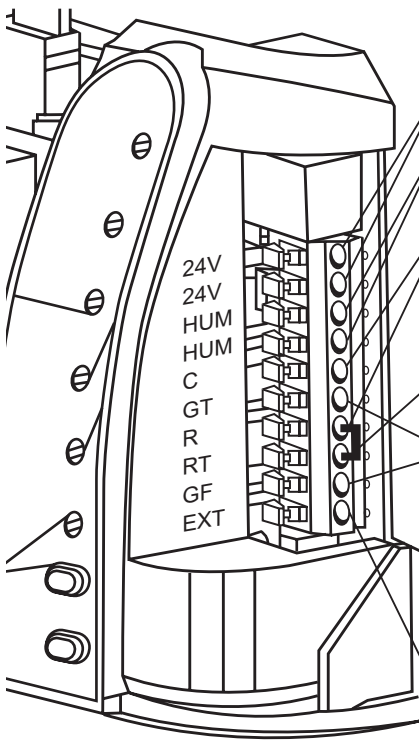
**11**

Afloje el tornillo imperdible de la cubierta. Deslice la cubierta hacia fuera desde la parte delantera.



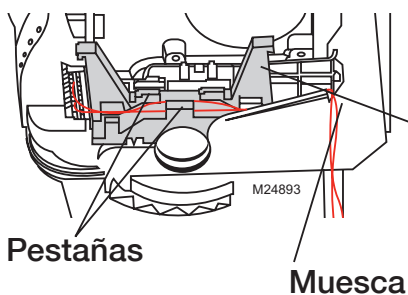
**PRECAUCIÓN: peligro de voltaje.**

Antes de realizar el cableado hacia las terminales del equipo de HVAC, corte la energía del equipo. Asegúrese de que el humidificador no esté enchufado.



**Terminales de bajo voltaje**

- 24V** Energía de CA para el humidistato electrónico.
- HUM** Las terminales del humidistato (o termostato) de bajo voltaje controlan el funcionamiento del humidificador.
- C, R** Se conecta a las terminales del transformador del sistema de HVAC (o del control del ventilador del transformador del relé R y C) para garantizar que haya energía en el equipo de HVAC antes de humidificar. Esto se puede desactivar cambiando el interruptor DIP 4 (vea la página 68).
- RT** Se conecta a la terminal R del termostato que normalmente se enciende para demandar un ventilador.
- GF** GT se conecta a la terminal G del termostato. GF se conecta a la terminal G de la placa del ventilador. La G del termostato atraviesa los contactos del relé normalmente cerrados (NC) hasta GF, lo que permite la activación del ventilador. Cuando el TrueSTEAM está listo para proporcionar humedad al hogar, controlará el ventilador impulsando energía desde RT hacia GF (si aún no ha sido activado).
- EXT** Cuando no se utiliza una placa de ventilador de 24 VCA para controlar el soplador (aplicaciones hidráulicas o de refrigeración solamente), esta conexión con GF proporciona un cierre de contacto seco para las demandas para hacer funcionar el ventilador. EXT/GF pueden conectarse a un centro de control de relé de bajo voltaje para proporcionar control de la línea de voltaje del ventilador.



Dirija los cables a través de las pestañas elevadas del arnés y hacia afuera de la muesca que se encuentra en la parte posterior del chasis. Asegúrese de que los cables estén seguros y que no interfieran con el ensamblaje de la cubierta.

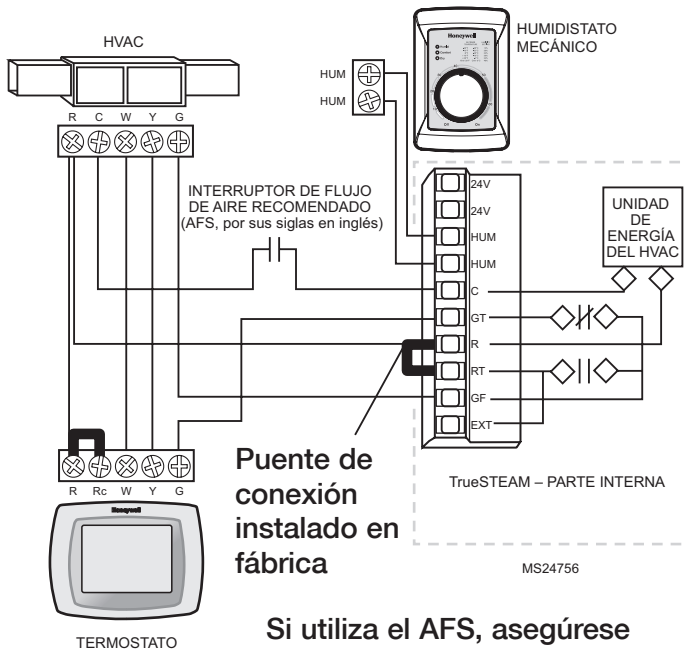


## CABLEADO

12

### Conecte el TrueSTEAM según el diagrama que se aplique a su control de humedad.

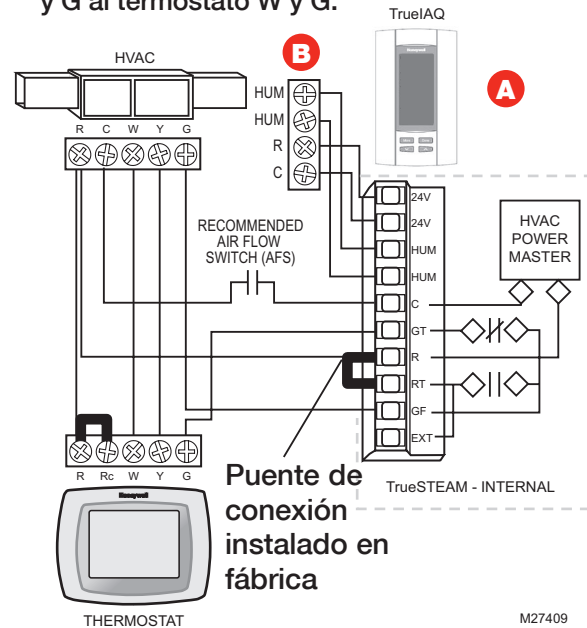
Siga este diagrama si utiliza un humidistato automático como el H8908ASPST u otro.



Si utiliza el AFS, asegúrese de que el DIP 5 esté en la posición "ON" (encendido).

Siga este diagrama para cablear TrueIAQ para funcionamiento manual.

- A** Coloque el parámetro ISU de TrueIAQ 10 a 1 e ISU 25 a 2.
- B** Para funcionamiento automático: También cablee W y G al termostato W y G.

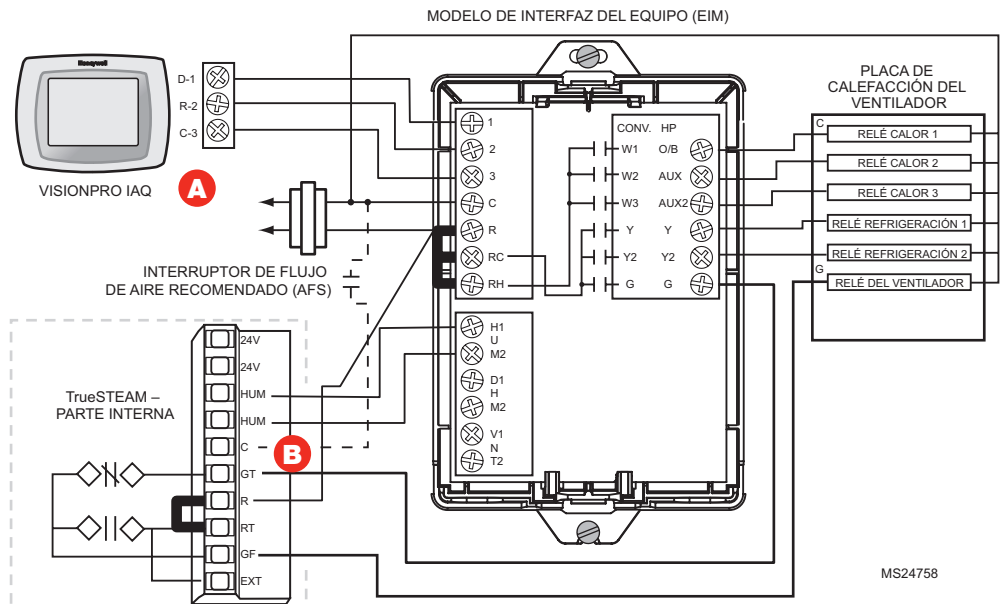


Si utiliza el AFS, asegúrese de que el DIP 5 esté en la posición "ON" (encendido).

Siga este diagrama si utiliza VisionPRO IAQTM para el control independiente del ventilador. El TrueSTEAM activará por cuenta propia el ventilador de calefacción (cuando haya demanda de humedad).

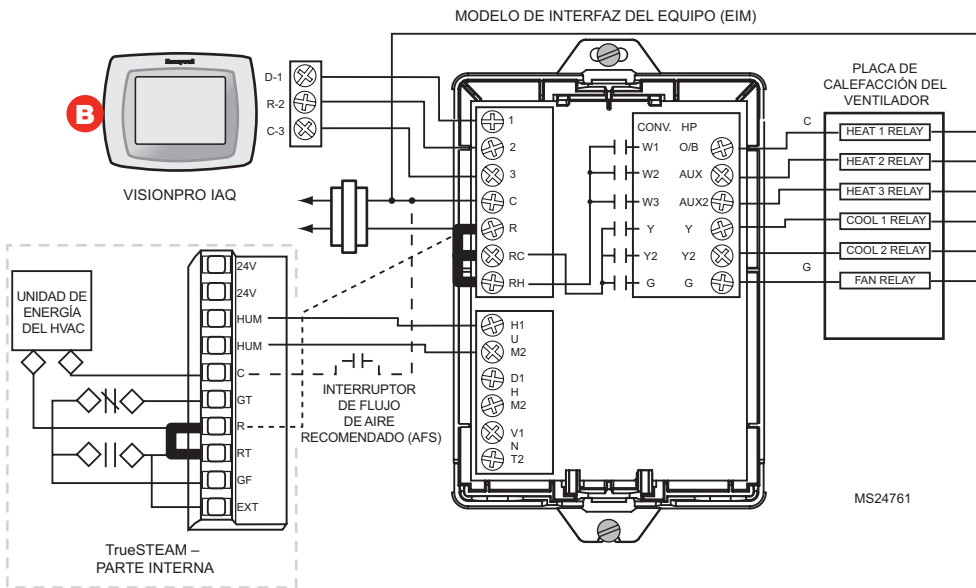
- A** Establezca el parámetro ISU de VisionPRO IAQTM de 374 a 3.
- B** Si el TrueSTEAM está funcionando sin controlar la energía del equipo de HVAC ni el AFS, la conexión del cableado C es opcional, pero asegúrese de que el DIP 4 esté en la posición "ON" (encendido).

Si su utiliza el AFS, asegúrese de que el DIP 5 esté en la posición "ON" (encendido).



## CABLEADO

Siga este diagrama para un sistema con VisionPRO IAQ™ con funcionamiento que dependa de la energía del equipo de HVAC (humidificación y demanda para hacer funcionar el ventilador por termostato).

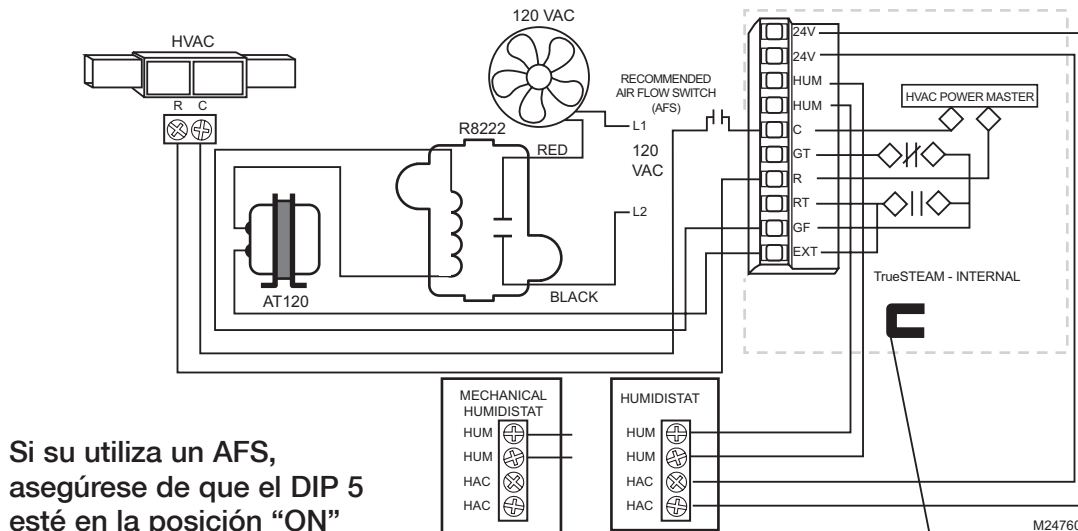


**B** Establezca el parámetro ISU de VisionPRO IAQ™ de 374 a 1. Esto permite que el termostato demande el ventilador al mismo tiempo que demanda la humidificación.

Si no se utiliza un AFS, coloque el DIP 4 en la posición "ON" (encendido) y conecte solamente las terminales HUM.

Si se utiliza un AFS, coloque el DIP 5 en la posición "ON" (encendido) y el DIP 4 en la posición "OFF" (apagado) y conecte las terminales Hum, R y C.

Siga este diagrama si utiliza un ventilador soplador dedicado a TrueSTEAM (un ventilador independiente del equipo de HVAC como en las aplicaciones hidráulicas o de refrigeración solamente).



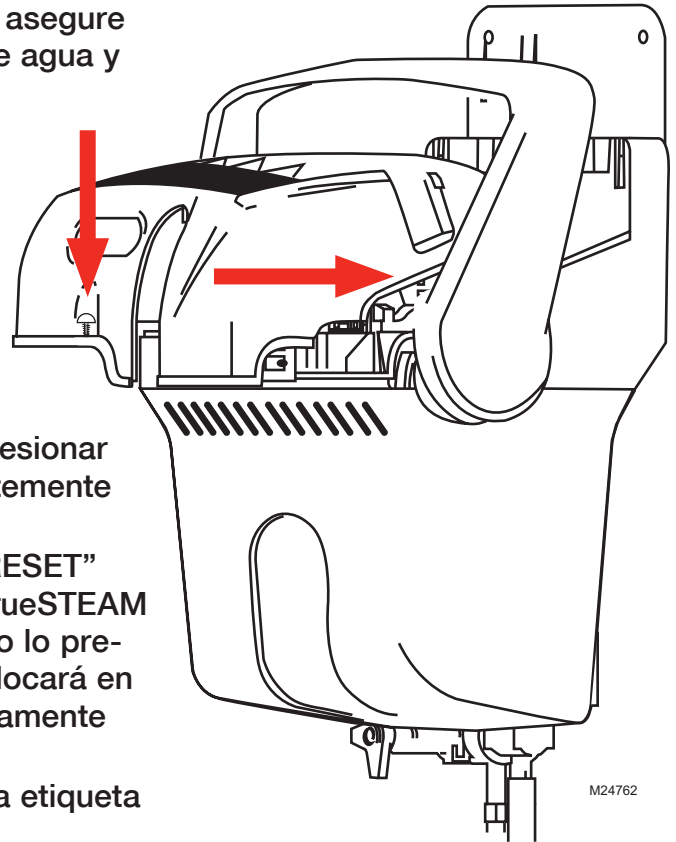
Si su utiliza un AFS, asegúrese de que el DIP 5 esté en la posición "ON" (encendido).

**C** Retire el puente de conexión instalado en fábrica (R/RT)

## CABLEADO

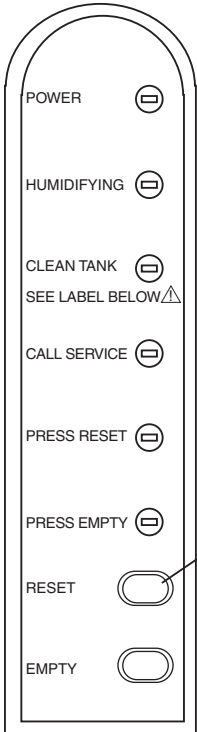
**13**

Deslice la cubierta, ubíquela en su lugar y asegure el tornillo imperdible. Abra el suministro de agua y enchufe el humidificador.



**14**

La luz de “Press Reset” (presionar reiniciar) brillará intermitentemente cuando conecte la energía. Presione/suelte el botón “RESET” (reiniciar) para colocar el TrueSTEAM en la posición de listo. Si no lo presiona, el TrueSTEAM se colocará en posición de listo automáticamente luego de cinco minutos. SEE LABEL BELOW! (Vea la etiqueta debajo.)



**15**

Coloque el control de humedad en la posición “Test” (prueba). Si la posición “Test” (prueba) no está habilitada, coloque el control en un punto de ajuste alto (60% +). Asegúrese de bajarlo (o apagarlo) una vez que se haya completado la prueba. “Off” (apagado) apagará el TrueSTEAM.



**16**

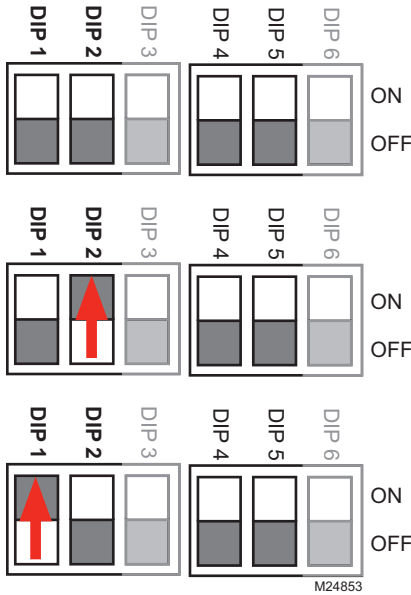
Verifique que el soplador de calefacción se encienda para hacer circular el aire. Esto llevará unos 10–15 minutos luego de la demanda de humedad.

### Importante para la instalación remota:

Luego de que el TrueSTEAM haya producido vapor durante 10-15 minutos, verifique la integridad de la manguera remota para asegurarse de que no haya pandeos. Agregue o ajuste las abrazaderas si es necesario para asegurar una pendiente continua de 2 pulgadas por pie (5,1 cm por 30,5 cm).

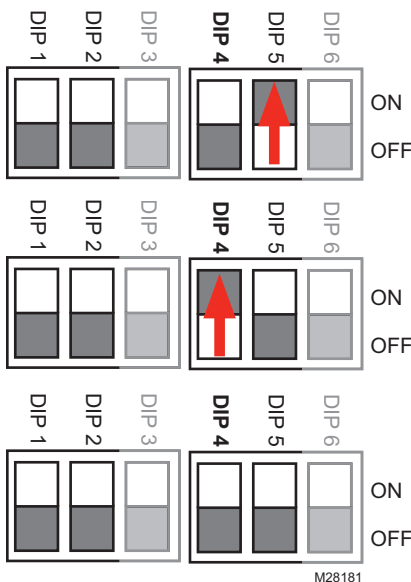
## SELECCIÓN DEL INTERRUPTOR DIP

Entre el transformador y el visor LED de la placa del circuito se encuentran dos juegos de interruptores DIP. Los DIP 1 y 2 se pueden configurar para ajustar los ciclos de limpieza. Los DIP 4 y 5 pueden simplificar el cableado. Los DIP 3 y 6 no se utilizan en este momento. Detalles a continuación.



M24853

Tiempo de funcionamiento (horas)	Temporizador de final de temporada (horas)	Indicador de limpieza del tanque
10 horas de humidificación antes de que el sistema drene los desechos del tanque automáticamente.	48 horas antes de que el sistema drene automáticamente y permanezca vacío hasta la próxima demanda de humedad.	1 año de tiempo total (de funcionamiento e inactividad) antes de que la luz "Press Empty" (presionar vaciar) brille intermitentemente indicando que es momento de limpiar el tanque de agua de forma manual.
20 horas de humidificación antes de que el sistema drene los desechos del tanque automáticamente.	48 horas antes de que el sistema drene automáticamente y permanezca vacío hasta la próxima demanda de humedad.	1 año de tiempo total (de funcionamiento e inactividad) antes de que la luz "Press Empty" (presionar vaciar) brille intermitentemente indicando que es momento de limpiar el tanque de agua de forma manual.
30 horas de humidificación antes de que el sistema drene los desechos del tanque automáticamente.	48 horas antes de que el sistema drene automáticamente y permanezca vacío hasta la próxima demanda de humedad.	1 año de tiempo total (de funcionamiento e inactividad) antes de que la luz "Press Empty" (presionar vaciar) brille intermitentemente indicando que es momento de limpiar el tanque de agua de forma manual.



M26181

**DIP 4 APAGADO, DIP 5 ENCENDIDO:** Si el TrueSTEAM determina que no hay flujo de aire\* dos minutos después de los avisos para hacer funcionar el ventilador soplador, se cerrará la salida de vapor y se activará una luz de servicio.

\* Requiere la instalación del interruptor de flujo de aire. Consulte la sección "Cableado" para obtener más detalles.

**DIP 4 ENCENDIDO, DIP 5 en cualquiera de las dos posiciones:** El TrueSTEAM ofrecerá humedad sin energía del equipo de HVAC.

**DIP 4 APAGADO, DIP 5 APAGADO:** No se permitirá que el TrueSTEAM humidifique sin que energía del equipo de HVAC.

## SOLUCIÓN DE PROBLEMAS

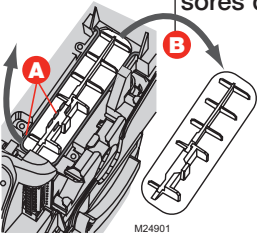
El TrueSTEAM cuenta con un diagnóstico de sistema interno que controla el funcionamiento del sistema, los cronogramas de mantenimiento y las fallas. Si se detecta una falla en el sistema, este intentará auto recuperarse hasta cinco veces en un período de 24 horas. Si no puede recuperarse en ese tiempo, se activará la luz roja LED de “Call Service” (llamar servicio técnico).

Si la luz de “Call Service” (llamar servicio técnico) del TrueSTEAM es de color roja, se produjo una falla de la cual el humidificador no puede auto recuperarse. La tabla que se encuentra a continuación muestra las fallas posibles junto con pasos a seguir para reparar el TrueSTEAM.

Si la luz roja LED de “Call Service” (llamar servicio técnico) está encendida, presione/suelte el botón “RESET” (reiniciar). La luz roja LED de “Call Service” (llamar servicio técnico) comenzará a brillar intermitentemente en una serie que indica qué falla se produjo. Consulte la siguiente tabla para ver la falla expresada por la cantidad de parpadeos que se produzcan. Para borrar la falla, presione y sostenga el botón RESET (reiniciar) durante 5 segundos.

Presione/mantenga presionado el botón “EMPTY” (vaciar) para eliminar la luz del marcador de servicio técnico (es decir, el botón “Press Empty” [presionar vaciar]).

Presione/suelte el botón “EMPTY” (vaciar) para drenar el tanque.

Cantidad de parpadeos de la luz roja	Descripción de falla	¿Auto recuperable?	Pasos para la reparación Para que los realice solamente un técnico profesional en equipos de HVAC
1	Falla en el sensor de temperatura del calentador/de agua.	Sí, el sistema volverá a “Ready” (listo) si la falla desaparece luego de 1 hora.	<ul style="list-style-type: none"> <li>• Desenchufe el TrueSTEAM y retire la cubierta.</li> <li>• Verifique la conexión del sensor de agua al panel electrónico.</li> <li>• Coloque la cubierta nuevamente y enchufe el TrueSTEAM.</li> <li>• Si la falla reaparece, siga los pasos para limpieza que aparecen en las páginas 83-85.</li> <li>• Coloque el tanque nuevamente y presione el botón “RESET” (reiniciar).</li> <li>• Si se vuelve a producir la falla, reemplace con un elemento de calor con potencia en vatios correspondiente.</li> </ul>
2	Falla en los sensores de agua.	Sí, el sistema volverá a “Ready” (listo) si la falla desaparece luego de 1 hora. Intentará auto reiniciarse 5 veces en 24 horas.	 <ul style="list-style-type: none"> <li>• Desenchufe el TrueSTEAM y retire la cubierta.</li> <li>• <b>A</b> Desconecte el cableado del sensor del nivel del agua, quite la pantalla y levante la abrazadera con bisagra a presión.</li> <li>• <b>B</b> Quite el ensamblaje del sensor de agua.</li> <li>• Limpie los detectores del sensor de agua utilizando agua jabonosa tibia para que el metal quede expuesto.</li> <li>• Vuelva a armar el ensamblaje del sensor en la unidad, colóquelo nuevamente y asegure la cubierta.</li> <li>• Enchufe nuevamente la unidad y presione el botón “RESET” (reiniciar).</li> <li>• Si se repite la falla, reemplace el ensamblaje del sensor.</li> </ul>
3	El tanque no se llenó con agua.	Sí, el sistema volverá a “Ready” (listo) si la falla desaparece luego de 1 hora.	<ul style="list-style-type: none"> <li>• Asegúrese de que la entrada de agua esté habilitada.</li> <li>• Verifique que no haya pérdidas alrededor del sello del tanque y del solenoide.</li> <li>• Cierre el suministro de agua y reemplace el filtro de agua en línea.</li> <li>• Presione/mantenga presionado el botón “RESET” (reiniciar) hasta que se apague la luz roja de “Call Service” (llamar servicio técnico).</li> <li>• Si el tanque sigue sin llenarse, presione el botón “EMPTY” (vaciar) (si la unidad no drena, desenchúfela y asegúrese de que el agua del tanque esté fría).</li> <li>• Siga las instrucciones de limpieza del tanque de la página 83. Asegúrese de sujetar firmemente el tanque antes de soltarlo, especialmente si contiene agua.</li> <li>• Quite cualquier excedente de residuos desde el orificio inferior del tanque hasta el solenoide.</li> <li>• Vuelva a ensamblar el tanque y enchufe la unidad nuevamente. Presione el botón “RESET” (reiniciar).</li> <li>• Si el agua no descarga en el tanque, reemplace la válvula solenoide.</li> </ul>
4	Elemento de calor sobrecalentado.	No	<ul style="list-style-type: none"> <li>• Siga los pasos para la limpieza del tanque (páginas 83-85).</li> <li>• Coloque el tanque nuevamente y presione el botón “RESET” (reiniciar).</li> <li>• Si se vuelve a producir la falla, reemplace con una unidad correspondiente.</li> </ul>

## SOLUCIÓN DE PROBLEMAS

Cantidad de parpadeos de la luz roja	Descripción de falla	¿Auto recuperable?	Pasos para la reparación Para que los realice solamente un técnico profesional en equipos de HVAC
5	Voltaje de entrada insuficiente.	Sí, el sistema volverá a "Ready" (listo) si la falla desaparece luego de 1 hora.	<ul style="list-style-type: none"> <li>• Enchufe y desenchufe la unidad para verificar si la falla vuelve a producirse.</li> <li>• Si se vuelve a producir la falla, desenchufe la unidad y quite la cubierta.</li> <li>• Verifique que las conexiones de cableado estén seguras y conectadas.</li> <li>• Si se vuelve a producir la falla, reemplace el TrueSTEAM por uno nuevo (no se recomienda realizar el servicio técnico en el lugar de trabajo si se pierde el voltaje de la línea).</li> </ul>
6	Detección de rebose de agua.	Sí, el sistema volverá a "Ready" (listo) si la falla desaparece luego de 1 hora.	<ul style="list-style-type: none"> <li>• Asegúrese de que la manguera de drenaje no se enrosque ni se sumerja en el agua en el desagüe. Verifique la funcionalidad de la bomba de condensado, si se utiliza.</li> <li>• Verifique si sale agua de la tubería de desagüe/rebose. Si hay un flujo de agua continuo, siga los pasos de limpieza de las páginas 83-85.</li> <li>• Presione el botón "EMPTY" (vaciar) para drenar el tanque.</li> <li>• Coloque el punto de ajuste de RH del humidistato en el modo "Test" (prueba).</li> <li>• Si se vuelve a producir la falla, desenchufe el TrueSTEAM.</li> <li>• Afloje el tornillo de la cubierta y quítela.</li> <li>• Desconecte el cableado del sensor del nivel del agua y levante la abrazadera con bisagra a presión para quitar el ensamble del sensor de agua. Vea la imagen en la página 79.</li> <li>• Limpie los detectores utilizando agua jabonosa tibia para que el metal quede expuesto.</li> <li>• Vuelva a armar el ensamble del sensor en la unidad, colóquelo nuevamente y asegure la cubierta.</li> <li>• Enchufe la unidad y presione el botón "RESET" (reiniciar).</li> <li>• Si se repite la falla, reemplace el ensamble del sensor de agua y/o la válvula solenoide.</li> </ul>
7	Equipo de HVAC sin energía (controle esta falla sólo cuando los DIP 4 y 5 estén "OFF" [apagados]).	Sí, el sistema volverá a "Ready" (listo) si la falla desaparece luego de 1 hora.	<ul style="list-style-type: none"> <li>• Enchufe y desenchufe la unidad para verificar si regresa la energía.</li> <li>• Si no, asegúrese de que el equipo de HVAC tenga energía. Verifique el interruptor de circuito y reemplace el fusible si el circuito se disparó.</li> <li>• Desenchufe el TrueSTEAM y retire la cubierta.</li> <li>• Asegúrese de que el DIP 4 esté en "ON" (encendido) y coloque la cubierta nuevamente.</li> <li>• Enchufe la unidad.</li> <li>• Si se repite la falla, asegúrese de que el circuito que está usando tenga los valores nominales como para soportar la unidad. Desenchufe cualquier equipo adicional que esté conectado al circuito. Si la falla desaparece, la capacidad del circuito no se ajusta correctamente a su unidad.</li> <li>• Si se vuelve a producir la falla, reemplace la unidad.</li> </ul>



**SOLUCIÓN DE PROBLEMAS**

<b>Cantidad de parpadeos de la luz roja</b>	<b>Descripción de falla</b>	<b>¿Auto recuperable?</b>	<b>Pasos para la reparación Para que los realice solamente un técnico profesional en equipos de HVAC</b>
8-11	La entrada del monitor de soldadura de reserva está activa cuando el relé de calor de reserva está apagado.	No	<ul style="list-style-type: none"> <li>• Reemplace la unidad.</li> </ul>
12	La temperatura de la placa del circuito electrónico es muy alta. ¿Auto recuperable?	Sí, el sistema volverá a "Ready" (listo) si la falla desaparece luego de 1 hora.	<ul style="list-style-type: none"> <li>• Asegúrese de que los orificios de ventilación de la cubierta no estén obstruidos y de que haya un pie (30 cm) de distancia alrededor de los orificios de ventilación de la cubierta.</li> <li>• Asegúrese de instalar el TrueSTEAM en un lugar con aire acondicionado de 32°F (0°C) a 104°F (40°C).</li> <li>• Apague el humidistato y deje que el panel electrónico se enfríe.</li> <li>• Encienda el humidistato y presione el botón "RESET" (reiniciar).</li> <li>• Confirme que se inicie la demanda de humedad cuando se enciende la luz de "HUMIDIFYING" (humidificación).</li> <li>• Deje que la unidad funcione y verifique si hay escapes de vapor alrededor del tanque y de los orificios de ventilación.</li> <li>• Si hay vapor, reemplace el TrueSTEAM.</li> </ul>
13	El tanque no drena.	No	<ul style="list-style-type: none"> <li>• El agua del tanque puede estar caliente (&gt;140°F [60°C]).</li> <li>• Presione el botón "EMPTY" (vaciar).</li> <li>• Si la unidad no drena, espere que el agua del tanque se enfríe. Asegúrese de que el agua del tanque esté fría antes de continuar.</li> <li>• Una vez que esté fría, siga los pasos para la limpieza del tanque (páginas 83-85).</li> <li>• Coloque el tanque nuevamente y presione el botón "RESET" (reiniciar).</li> <li>• Si persiste la falla, reemplace la válvula solenoide.</li> </ul>
14	El calentador no hierve el agua.	Sí, el sistema volverá a "Ready" (listo) si la falla desaparece luego de 1 hora.	<ul style="list-style-type: none"> <li>• Siga los pasos para la limpieza del tanque (páginas 83-85).</li> <li>• Coloque el tanque nuevamente y presione el botón "RESET" (reiniciar).</li> <li>• Si se vuelve a producir la falla, reemplace el elemento de calor por una pieza de repuesto con potencia en vatios correspondiente.</li> </ul>
15	Ausencia de flujo de aire.	Yes	<ul style="list-style-type: none"> <li>• Compruebe que el interruptor de presión diferencial esté instalado y cableado adecuadamente. Consulte la sección "Cableado" para el cableado correcto.</li> <li>• Asegúrese de que los interruptores DIP estén colocados correctamente.</li> <li>• Si persiste la falla, reemplace el AFS y/o la unidad.</li> </ul>

## ESPECIFICACIONES

### Capacidad

**HM512:** 12 galones por día (gpd) (45 litros por día [lpd]).

**HM509:** 9 gpd (34 lpd)

**HM506:** 6 gpd (23 lpd)

### Área humidificada:

Descripción de la casa	Cambios de aire por hora	HM512	HM509	HM506
No hermética	Dos	185,8 m <sup>2</sup>	120,8 m <sup>2</sup>	92,9 m <sup>2</sup>
Media	Uno	232,3 m <sup>2</sup>	167,2 m <sup>2</sup>	139,4 m <sup>2</sup>
Hermética	Medio	278,7 m <sup>2</sup>	232,3 m <sup>2</sup>	185,8 m <sup>2</sup>

### Peso:

Modelo	Vacío	Lleno de agua
HM512	9 libras (4,1 kg)	15 libras (6,8 kg)
HM509	9 libras (4,1 kg)	14,5 libras (6,6 kg)
HM506	8 libras (3,6 kg)	12 libras (5,4 kg)

- Dimensiones: 11-1/4 pulgadas (28,6 cm) W x 19 pulgadas (48,3 cm) H x 9 pulgadas (22,9 cm) D.
- Rango de temperatura de funcionamiento del humidificador: 34°F–120°F (1,1°C–49°C)
- Rango de temperatura de funcionamiento de la manguera/boquilla remota: -50°F–250°F (-46°C–121°C)
- Rango de humedad de funcionamiento: 0–95% RH, sin condensación

### Operación de drenaje

- La autodescarga puede configurarse a 10, 20 o 30 horas de tiempo operativo (elemento calorífico activo).
- Durante la autodescarga entrará agua fría en el tanque para bajar la temperatura del agua a menos de 140°F (60°C) antes de que drene.
- Durante la descarga manual (que se ejecuta presionando el botón EMPTY [vaciar]) la temperatura inicial del agua podría ser superior a 140°F (60°C). Verifique que la salida de drenaje no quede expuesta, tenga precaución cuando presione el botón EMPTY (vaciar) y NO intente retirar el tanque si todavía contiene agua.
- El ciclo de descarga toma aproximadamente 15 minutos para vaciar el tanque completamente. Para anularlo, presione/sostenga el botón EMPTY (vaciar) mientras esté intermitente la luz “Clean tank” (limpiar tanque).
- Rango de temperatura de funcionamiento de la manguera de drenaje: 34°F–212°F (1,1°C–100°C)



### PRECAUCIÓN

Cuando la temperatura del agua excede de 140°F (60°C) puede producir quemaduras.

### Estándares y requisitos del órgano encargado de aprobación

Underwriters Laboratories: UL998, Archivo No. E185662.

Comisión Federal de Comunicaciones (Federal Communications Commission, FCC): Cumplimiento de las normas Clase B, Archivo No. YU555.

Para ser utilizado de acuerdo con el Código Nacional de Electricidad (NEC, por sus siglas en inglés), ANSI/NFPA 70 y las normas del Código Canadiense de Electricidad (CEC, por sus siglas en inglés), Parte 1, C22.1.

### Calificaciones y tolerancias eléctricas:

#### Calificaciones de entrada

- Suministro de energía: 120 VCA +10/ -15%, 60 Hz
  - HM512: 1440 vatios en 120 VCA en carga completa
  - HM509: 1200 vatios en 120 VCA en carga completa
  - HM506: 840 vatios en 120 VCA en carga completa
- HM512: 12 A, 120 VCA
- HM509: 10 A, 120 VCA
- HM506: 7 A, 120 VCA
- 15 A, interruptor corta corriente de 120 VCA
- Monitor de energía del termostato/equipo de HVAC (R a C): 10 mA resistente a 24 VCA
- Terminales para cableado de campo: 18–22 ga. sólido
- Monitor de energía del equipo de HVAC / flujo de aire: 10 mA resistente a 24 VCA

#### Calificaciones de salida

- Contactos de salida del relé:
  - Ventilador: 1,5 A de carga completa, rotor bloqueado de 7,5 A en 24 VCA
  - Calor y reserva: 15 A resistente a 24 VCA
- Solenoide de llenado: 0,1 A en 120 VCA, 0,5 PF
- Solenoide de drenaje: 0,1 A en 120 VCA, 0,5 PF
- Contactos de salida del humidistato: 10 mA resistente a 24 VCA
- Suministro de energía del humidistato: 100 mA en 24 VCA



## LIMPIEZA Y MANTENIMIENTO ESTACIONAL O DURANTE LAS VACACIONES

El mantenimiento con el TrueSTEAM es sencillo: sólo quite el tanque de agua.



### Advertencia: peligro de quemaduras.

No intente quitar el humidificador del soporte de montaje durante el funcionamiento o cuando el tanque de agua del humidificador esté lleno de agua. El elemento de calor puede estar caliente cuando quite el tanque. Si no tiene esto en cuenta, corre peligro de quemaduras severas o de muerte.

### Operación de drenaje

- La autodescarga puede configurarse a 10, 20 o 30 horas de tiempo operativo (elemento calorífico activo).
- Durante la autodescarga entrará agua fría en el tanque para bajar la temperatura del agua a menos de 140°F (60°C) antes de que drene.
- Durante la descarga manual (que se ejecuta presionando el botón EMPTY [vaciar]) la temperatura inicial del agua podría ser superior a 140°F (60°C). Verifique que la salida de drenaje no quede expuesta, tenga precaución cuando presione el botón EMPTY (vaciar) y NO intente retirar el tanque si todavía contiene agua.

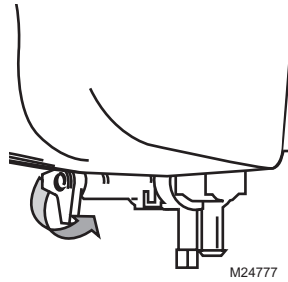
Para limpiar el TrueSTEAM:

1. Presione y sostenga el botón EMPTY (vaciar) durante 3 segundos. Espere que la luz "CLEAN TANK" (limpiar tanque) esté encendida (que no brille intermitentemente). El ciclo de descarga toma aproximadamente 15 minutos para vaciar el tanque completamente. Para anular el ciclo de descarga presione/sostenga el botón EMPTY (vaciar) una segunda vez durante 3 segundos. El tanque se vaciará de inmediato.

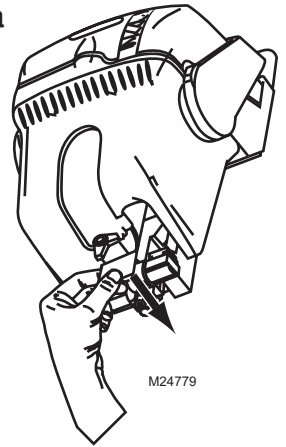


## LIMPIEZA Y MANTENIMIENTO ESTACIONAL O DURANTE LAS VACACIONES

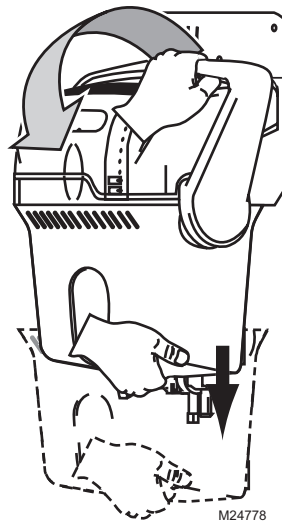
2. Coloque la válvula de cierre manual que se encuentra en la parte inferior del tanque en la posición "Unlock" (destrabar).



3. Tome el brazo de la válvula de agua limpia y deslícelo dentro del soporte para que se suelte del tanque.



4. Sujete firmemente el fondo del tanque. Presione hacia abajo el botón de seguridad de la cubierta y empuje el cerrojo hacia adelante para soltar el tanque.

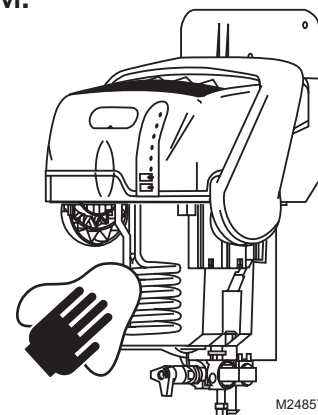


**Nota:** el cerrojo no suelta el humidificador con el tanque.

5. Utilice agua corriente para quitar los minerales sueltos del tanque. El filtro de sedimentos que se encuentra en la parte inferior del tanque se desmonta. Para una limpieza más profunda, humedezca el tanque con agua jabonosa tibia, luego, enjuague bien. El tanque también es apto para lavaplatos.



6. Frote cuidadosamente para quitar los minerales del elemento de calor, de las paredes del depósito y de los sensores. Las esponjas de cocina para ollas o cacerolas antiadherentes son adecuadas para la limpieza de las paredes del depósito y para los componentes interiores del tanque del TrueSTEAM.



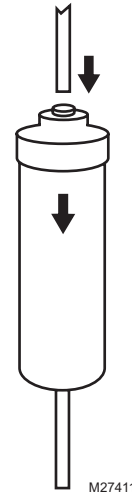
## LIMPIEZA Y MANTENIMIENTO ESTACIONAL O DURANTE LAS VACACIONES

7. Cambie el filtro de la tubería una vez al año. Cierre el suministro de agua antes de cambiarlo.

Presione hacia abajo el anillo del filtro y saque la tubería de agua 1/4 in. en cada lado.



Inserte tuberías de 1/4 in. en el nuevo filtro. Aplique una presión moderada para lograr un ajuste ceñido.



Una vez limpio, vuelva a colocar el tanque y asegure el cerrojo. Coloque la válvula de agua en el eje de distribución y trabe la válvula de cierre. La luz de “Press Reset” (presionar reiniciar) brillará intermitentemente al ponerse en funcionamiento. Presione el botón “RESET” (reiniciar) para preparar el humidificador.

---

## LIMPIEZA Y MANTENIMIENTO ESTACIONAL O DURANTE LAS VACACIONES

### Apagado automático al final de la estación

El humidificador TrueSTEAM cuenta con inteligencia incorporada para apagarse cuando no se necesita humedad por un período prolongado. Luego de 48 horas de inactividad, el TrueSTEAM drenará el agua y permanecerá vacío hasta que vuelva a necesitar la humedad. Esto evita que el agua se estanque en el tanque. El tanque se rellenará con agua cuando ocurra la próxima demanda de humedad.

Existen algunos pasos a seguir con respecto a la limpieza para que su TrueSTEAM se mantenga funcionando en su pico de eficiencia.

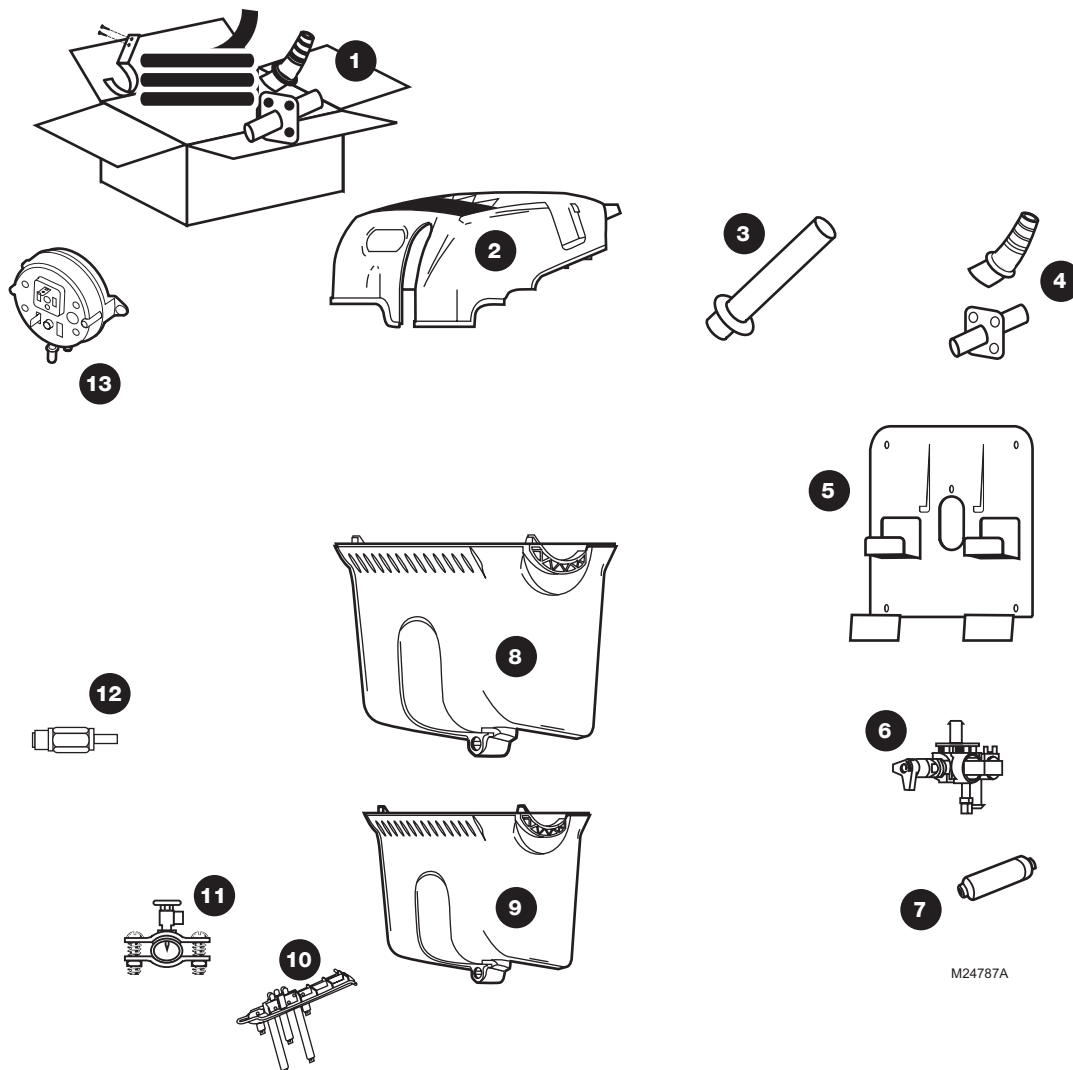
1. Siga los pasos 1-6 de la sección de “Limpieza” de la página 73 al menos una vez al año o cuando la luz “Press Empty” (presionar vaciar) brille intermitentemente.
2. Limpie los orificios de ventilación de la cubierta del humidificador.
3. Limpie el tubo de desagüe de agua.
4. Asegúrese de que la junta de sellado del tanque de agua no esté agrietada ni rajada antes de colocar nuevamente el tanque de agua del humidificador.
5. Verifique que el humidificador aún esté nivelado.

### Vacaciones largas

Cuando toma vacaciones largas, se recomienda que cierre el suministro de agua y el control de humedad de su humidificador. Cuando regrese, abra el suministro de agua del humidificador y reinicie el control de humedad en una posición cómoda.

## LISTA DE PIEZAS

Pieza	Número de pieza	Referencia de las figuras
Juego de manguera de 10 pies (3 m) y boquillas	50024917-001	1
Juego de manguera de 20 pies (6 m) y boquillas	50024917-002	1
Cubierta	50028004-001	2
Boquilla de inyección de conductos para humidificador	50028003-001	3
Boquillas remotas	50028001-001	4
Soporte de montaje	50020012-001	5
Válvula solenoide	50027997-001	6
Filtro de agua en línea	50028044-001	7
Tanque de agua HM512/HM509	50033181-001	8
Tanque de agua HM506	50033182-001	9
Ensamble del sensor de nivel de agua	50027998-001	10
Válvula de silla	32001616-001	11
Válvula para reflujos de agua	50030142-001	12
Interruptor de presión diferencial	50027910-001	13







**Soluciones de control y automatización**

Honeywell International Inc.      Honeywell Limited-Honeywell Limitée  
1985 Douglas Drive North      35 Dynamic Drive  
Golden Valley, MN 55422      Toronto, Ontario M1V 4Z9  
<http://yourhome.honeywell.com>

**Honeywell**

