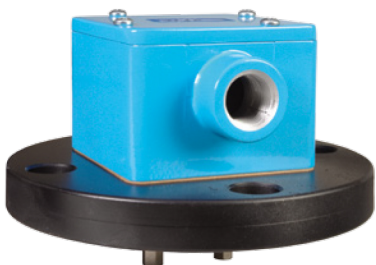



Top Mounting Fixtures – General Purpose




| Series | 3F | 3G | | | | | | | | | | | | | | | | | | | | | | | | | |
|---|---|--|--------------------------|--------------------------------------|--------------------------|--------------------------------------|---|---|--------|----------|-----------------------|-----|---|----|----------|-----------------------|---|-------|----|----------|-----------------------|-----|---|--------|----------|---------------|--|
| |  |  | | | | | | | | | | | | | | | | | | | | | | | | | |
| Mounting Connection | Flange — 4.5" to 7.5" Dia. | NPT, Flange, Bracket (Plate) | | | | | | | | | | | | | | | | | | | | | | | | | |
| Probe Quantity | 1 thru 7 | 1 thru 7 | | | | | | | | | | | | | | | | | | | | | | | | | |
| Description | Designed for general purpose service, Series 3F flanged, pressure-tight fittings can handle up to 7 probes. They mate with standard pipe flanges coupled to the top of the vessel. Available in a variety of materials. | Series 3G fittings are designed for general purpose use, and are made of PVC to withstand corrosive conditions. The flanged assemblies are sized to accommodate up to 7 probes and to mate with standard flanges on the tops of vessels. | | | | | | | | | | | | | | | | | | | | | | | | | |
| Materials | | | | | | | | | | | | | | | | | | | | | | | | | | | |
| Terminal Housing | Die-cast aluminum, epoxy coated | Polycarbonate | | | | | | | | | | | | | | | | | | | | | | | | | |
| Body | Forged steel, red brass, 316 S.S., 1018 C.S, PVC | PVC | | | | | | | | | | | | | | | | | | | | | | | | | |
| Probe Insulation | Teflon® | Teflon® | | | | | | | | | | | | | | | | | | | | | | | | | |
| Pressure/Temperature | 125 psig @ 323°F (cast iron) 225 psig @ 150°F (brass) 230 psig @ 100°F (316 S.S.) 275 psig @ 100°F (1018 C.S.) PVC – not rated | 0 psig @ 150°F (PVC) | | | | | | | | | | | | | | | | | | | | | | | | | |
| Approvals | CSA | — | | | | | | | | | | | | | | | | | | | | | | | | | |
| Dimensions | <table border="1"> <thead> <tr> <th>No. of Probes</th> <th>Nominal Pipe Flange Size</th> <th>Diameter of Flange</th> <th>Conduit Boss Thread Size</th> <th>Terminal Housing Size (W" x D" x H")</th> </tr> </thead> <tbody> <tr> <td>1</td> <td>1</td> <td>4-1/2"</td> <td>1/2" NPT</td> <td>2-1/4 x 2-1/4 x 2-1/4</td> </tr> <tr> <td>2-3</td> <td>2</td> <td>6"</td> <td>1/2" NPT</td> <td>3-1/4 x 3-1/4 x 2-3/8</td> </tr> <tr> <td>4</td> <td>2-1/2</td> <td>7"</td> <td>1/2" NPT</td> <td>3-1/4 x 3-1/4 x 2-3/8</td> </tr> <tr> <td>5-7</td> <td>3</td> <td>7-1/2"</td> <td>3/4" NPT</td> <td>4 x 4 x 2-1/2</td> </tr> </tbody> </table> | No. of Probes | Nominal Pipe Flange Size | Diameter of Flange | Conduit Boss Thread Size | Terminal Housing Size (W" x D" x H") | 1 | 1 | 4-1/2" | 1/2" NPT | 2-1/4 x 2-1/4 x 2-1/4 | 2-3 | 2 | 6" | 1/2" NPT | 3-1/4 x 3-1/4 x 2-3/8 | 4 | 2-1/2 | 7" | 1/2" NPT | 3-1/4 x 3-1/4 x 2-3/8 | 5-7 | 3 | 7-1/2" | 3/4" NPT | 4 x 4 x 2-1/2 | |
| No. of Probes | Nominal Pipe Flange Size | Diameter of Flange | Conduit Boss Thread Size | Terminal Housing Size (W" x D" x H") | | | | | | | | | | | | | | | | | | | | | | | |
| 1 | 1 | 4-1/2" | 1/2" NPT | 2-1/4 x 2-1/4 x 2-1/4 | | | | | | | | | | | | | | | | | | | | | | | |
| 2-3 | 2 | 6" | 1/2" NPT | 3-1/4 x 3-1/4 x 2-3/8 | | | | | | | | | | | | | | | | | | | | | | | |
| 4 | 2-1/2 | 7" | 1/2" NPT | 3-1/4 x 3-1/4 x 2-3/8 | | | | | | | | | | | | | | | | | | | | | | | |
| 5-7 | 3 | 7-1/2" | 3/4" NPT | 4 x 4 x 2-1/2 | | | | | | | | | | | | | | | | | | | | | | | |
| How to Order | <p>Use the Bold characters from the chart at right to construct a product code.</p> <p>Electrode Probes are ordered separately.</p> <p>Series 3F X X</p> <p>Number of Probes 1 thru 7</p> <p>Body Material A – Forged Steel (Raised Face) B – Red Brass (Flat Face) C – 316 S.S. (Raised Face) D – 1018 C.S. (Raised Face) E – PVC (Flat Face)</p> | <p>Series 3G X X X</p> <p>Number of Probes 1 thru 7</p> <p>Base Size and Style A – 2" Flange (6" O.D.)³ E – 2" NPT³ B – 3" Flange (7-1/2" O.D.) H – 3" NPT C – 3-1/4" x 6" x 3/4" PVC Plate</p> <p>Probe Type 1 – 316 S.S. Inserts for Use with 1/4" Rod Extensions⁴ 2 – Tapered Probe Assembly⁵ 3 – Wire-Suspended Probes⁶</p> | | | | | | | | | | | | | | | | | | | | | | | | | |
| Compatible Electrode Probes (order separately) | 3R, 3W ¹ , 3Y ² | 3R, 3T, 3W ¹ , 3Y ² | | | | | | | | | | | | | | | | | | | | | | | | | |

Notes:

- Requires 3Z1B Adapter and 3Z1A Wire.
- Requires 3Z1B Adapter.
- Maximum 4 probes.
- Order 3R rods separately. See page E-21.
- Order 3T rods separately. See page E-21.
- Order 3W/3Y probes separately. See page E-22.

Custom options available. Consult factory.

WARRICK CONDUCTIVITY SENSORS

| 3E | | 3N | | 3B | |
|---|----------------------|--|---------------------------------|--|--|
|  | |  | |  | |
| 1" to 3" NPT | | #10 Machine Screws from Underside | | 3/8" - 18NPT, 5/8" - 18UNF, 5/8" - 24UNEF | |
| 1 thru 7 | | 1 thru 3 | | 1 | |
| Series 3E fittings are cast metal, pressure-tight assemblies capable of handling 1-7 probes. Attachment to vessels is accomplished with external pipe threading. 3E Fittings require the use of 3R rigid or 3W wire suspended electrodes. | | Series 3N fittings accommodate 1-3 probes operating at atmospheric pressure. The assembly mounts on a flat surface atop open tanks or closed vessels. 3N Fittings require the use of 3R rigid or 3W wire suspended electrodes. | | Series 3B fittings are compact pressure tight assemblies that hold a single electrode probe for use in water and chemicals. These fittings incorporate a 1/4-20 female thread that must be combined with a Series 3R (rigid rod electrode) or Series 3W/3Y (wire suspended electrode) to make a complete assembly. | |
| Die-cast aluminum, epoxy coated | | Die-cast aluminum, epoxy coated | | — | |
| Cast iron, red brass, 316 stainless steel | | PVC, red brass, 316 stainless steel | | 316 stainless steel | |
| Teflon® | | Teflon® | | Teflon® | |
| 125 psig @ 353°F (cast iron) 250 psig @ 406°F (brass, 316 S.S.) | | 0 psig @ 150°F (PVC) 0 psig @ 500°F (brass, 316 S.S.) | | 250 psig @ 406°F 500 psig @ 75°F | |
| U.L. File #MP2489, Vol. 1 Sec. 1; CSA | | CSA File #LR11644 | | U.L. File #MP2489, Vol. 1 Sec. 1; CSA | |
| | No. of Probes | Attachment to Vessel | Conduit Boss Thread Size | Terminal Housing Size (W" x D" x H") | |
| 3E | 1 | 1" NPT | 1/2" NPT | 2-1/4 x 2-1/4 x 2-1/4 | |
| | 2-3 | 2" NPT | 1/2" NPT | 3-1/4 x 3-1/4 x 2-3/8 | |
| | 4 | 2-1/2" NPT | 1/2" NPT | 3-1/4 x 3-1/4 x 2-3/8 | |
| | 5-7 | 3" NPT | 3/4" NPT | 4 x 4 x 2-1/2 | |
| 3N | 1-3 | 2-1/4" square flat pad, 1-1/2" dia. hole in top of vessel secured with #10 machine screws at the corners of a 1-1/2" square | 1/2" NPT | 2-1/4 x 2-1/4 x 2-1/4 | |
| <p>Series 3E</p> <p>Number of Probes 1 thru 7</p> <p>Body Material</p> <p>A – Cast Iron</p> <p>B – Red Brass</p> <p>C – 316 Stainless Steel</p> | | <p>Series 3N</p> <p>Number of Probes 1 thru 3</p> <p>Body Material</p> <p>A – PVC</p> <p>B – Red Brass</p> <p>C – 316 Stainless Steel</p> | | <p>Series 3B</p> <p>Thread</p> <p>1 – 3/8" - 18 NPT</p> <p>2 – 5/8" - 18 UNF</p> <p>3 – 5/8" - 24 UNEF</p> <p>Metal Parts</p> <p>B – 316 Stainless Steel</p> | |
| 3R, 3W ¹ | | 3R, 3W ¹ | | 3R solid rod (up to 4') 3W ¹ or 3Y ² (greater than 4') | |

Custom options available. Consult factory.