

Application

Ideal for use where Lead-Free* valves are required. Designed for installation on potable water lines to reduce high inlet pressure to a lower outlet pressure. The integral strainer makes this device most suitable for residential and commercial water systems requiring frequent cleaning because of sediment and debris. The direct acting integral by-pass design prevents buildup of excessive system pressure caused by thermal expansion. The balanced piston design enables the regulator to react in a smooth and responsive manner to changes in system flow demand, while at the same time, providing protection from inlet pressure changes.

Standards Compliance

- ASSE® Listed 1003
 - IAPMO® Listed
 - CSA® Certified
 - City of Los Angeles Approved
 - NSF® Listed - Standard 61 & 372*
 - Certified to NSF/ANSI 372* by IAPMO R&T
- *(0.25% MAX. WEIGHTED AVERAGE LEAD CONTENT)

Materials

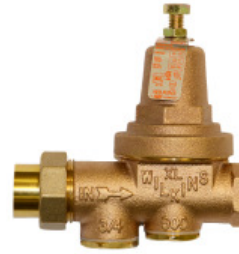
| | | |
|-----------------|------------------------------|------------|
| Main valve body | Low Lead Cast Bronze | ASTM B 584 |
| Access covers | Low Lead Cast Bronze | ASTM B 584 |
| | Low Lead Brass | |
| Fasteners | Stainless Steel, 300 Series | |
| Stem & plunger | Low Lead Cast Bronze | ASTM B 584 |
| | Low Lead Brass | |
| Elastomers | Buna Nitrile, (FDA Approved) | |
| | EPDM, (FDA Approved) | |
| Cap gaskets | Natural Vulcanized Fibre | |
| | Acetal (Delrin™), NSF Listed | |
| Strainer screen | Stainless Steel, 300 Series | Strainer |
| Seat | Stainless Steel, 300 Series | |

Features

| | |
|--------------------------------------|------------------------------------|
| Sizes: | 1/2", 3/4", 1", 1 1/4", 1 1/2", 2" |
| Maximum working water pressure | 300 psi |
| Maximum working water temperature | 140°F |
| Reduced pressure range (standard) | 25 psi to 75 psi |
| Factory preset | 50 psi |
| Hydrostatic test pressure | 300 psi |
| CPVC tailpiece: Max. hot water temp. | 140°F @ 100 psi |
| Cold water rated temp. | 73.4°F @ 400 psi |

Dimensions & Weights (do not include pkg.)

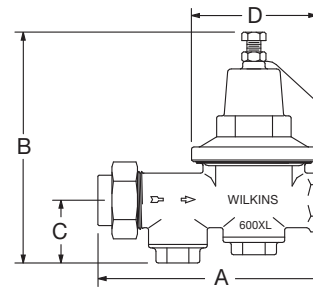
| SIZE | | CONNECTIONS | DIMENSIONS (approximate) | | | | | | | | WEIGHT | |
|-------|----|--------------|--------------------------|-----|-------|-----|-------|----|-------|-----|--------|-----|
| | | | A | | B | | C | | D | | | |
| in. | mm | | in. | mm | in. | mm | in. | mm | in. | mm | lbs. | kg. |
| 1/2 | 15 | SINGLE UNION | 5 1/2 | 133 | 6 1/4 | 159 | 1 1/4 | 32 | 2 3/4 | 70 | 3 | 1.5 |
| 1/2 | 15 | LESS UNION | 4 1/2 | 114 | 6 1/4 | 159 | 1 1/4 | 32 | 2 3/4 | 70 | 3 | 1.5 |
| 3/4 | 20 | SINGLE UNION | 5 5/16 | 135 | 5 1/2 | 140 | 1 1/4 | 32 | 2 3/4 | 70 | 3 | 1.5 |
| 3/4 | 20 | LESS UNION | 4 7/8 | 121 | 5 1/2 | 140 | 1 1/4 | 32 | 2 3/4 | 70 | 3 | 1.5 |
| 1 | 25 | SINGLE UNION | 6 1/8 | 156 | 7 1/4 | 184 | 2 | 51 | 3 3/8 | 86 | 5 | 2.5 |
| 1 | 25 | LESS UNION | 5 3/4 | 146 | 7 1/4 | 184 | 2 | 51 | 3 3/8 | 86 | 5 | 2.5 |
| 1 1/4 | 32 | SINGLE UNION | 7 1/8 | 181 | 8 | 203 | 2 | 51 | 3 7/8 | 100 | 7 | 3.0 |
| 1 1/2 | 40 | SINGLE UNION | 9 1/8 | 232 | 10 | 254 | 2 1/2 | 64 | 5 | 127 | 13 | 6.0 |
| 2 | 50 | SINGLE UNION | 10 1/4 | 260 | 12 | 305 | 3 | 76 | 6 1/2 | 165 | 21 | 9.5 |

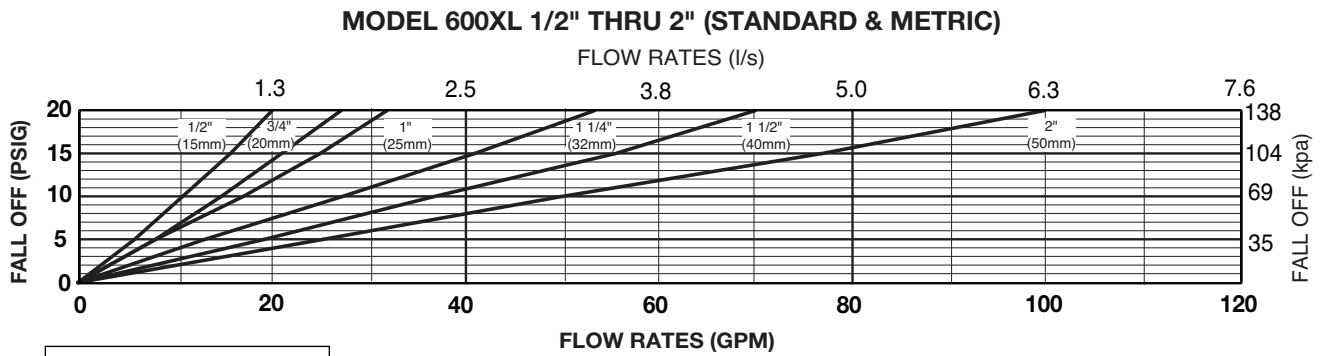


Options

(Suffixes can be combined)

- standard with 20 mesh strainer screen, SU, FNPT
- C - copper sweat connection (3/4" thru 2")
- HR - 75 psi to 125 psi spring range, factory set at 85 psi
- HLR - 10 psi to 125 psi spring range, factory set at 50 psi
- HTSTSC - 180°F maximum temp, stainless steel trim, spring, sealed cage
- L - less integral by-pass check valve
- LU - less union assembly, female x female (3/4" & 1" only)
- LPV - 180°F maximum temp with 10 psi to 35 psi spring range, factory set at 20 psi
- LPC - 140°F maximum temp with 10 psi to 35 psi spring range, factory set at 20 psi (2" field set only)
- SC - sealed cage bell housing and stainless steel adjustment screw
- 610XL - 400 psi inlet rating and 75 psi to 125 psi spring range, factory set at 85 psi
- P - tapped and plugged for gauge
- CPVC - CPVC tailpiece connection (1/2"-1")
- G - Tapped with gauge
- CH - Chrome stem & plunger
- PF - with Z-Bite™ push fit connections (tailpiece inlet and integral outlet) 250 psi max pressure (1/2" - 1" only)
- PR - with Z-Press™ press fit connections (tailpiece inlet and integral outlet) 250 psi max pressure (1/2" - 2" only)

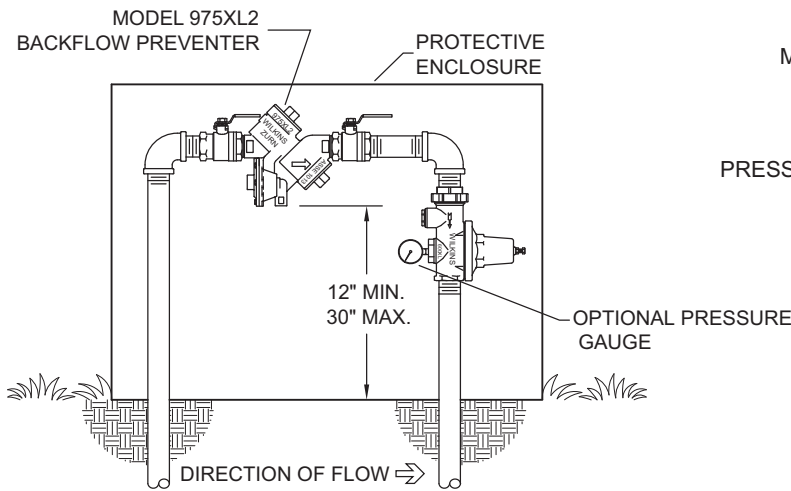




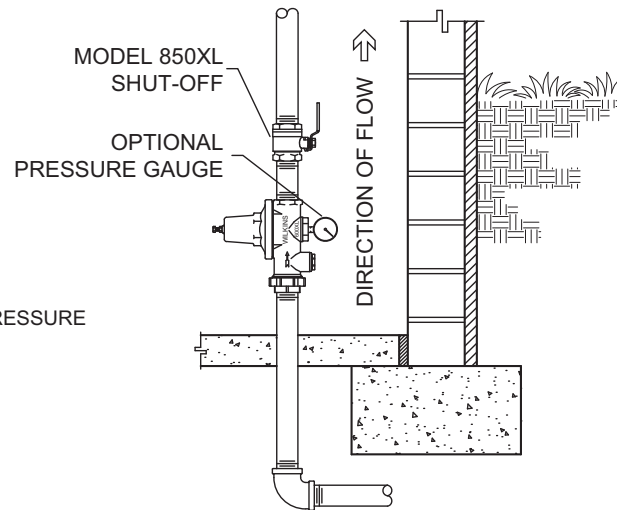
"Flow curves are based on a 50 psi pressure differential"

Typical Installation

Local codes shall govern installation requirements. Unless otherwise specified, the assembly shall be mounted in accordance with the latest edition of the Uniform Plumbing Code. The Model 600XL may be installed in any position. If installed in a pit, vault or inside application, specify the "SC" sealed cage option. Multiple installations are recommend for wide demand variations or where the desired pressure reduction is more than 4 to 1 (i.e.: 200 psi inlet reduced to 50 psi outlet). **CAUTION:** Anytime a reducing valve is adjusted, a pressure gauge must be used downstream to verify correct pressure setting. Do not bottom adjustment bolt on bell housing.



OUTDOOR INSTALLATION



VERTICAL INSTALLATION

Specifications

The Pressure Reducing Valve shall be certified to NSF/ANSI 372, consist of a low lead bronze body and bronze bell housing, shall have separate access covers for the plunger and strainer screen and shall have a bolt to adjust the downstream pressure. The Pressure Reducing Valve shall be of the balanced piston design and shall reduce pressure in both flow and no-flow conditions. The bronze bell housing and access caps shall be threaded to the body and shall not require the use of ferrous screws. The Pressure Reducing Valve shall be a ZURN WILKINS Model 600XL.